

4

3



2

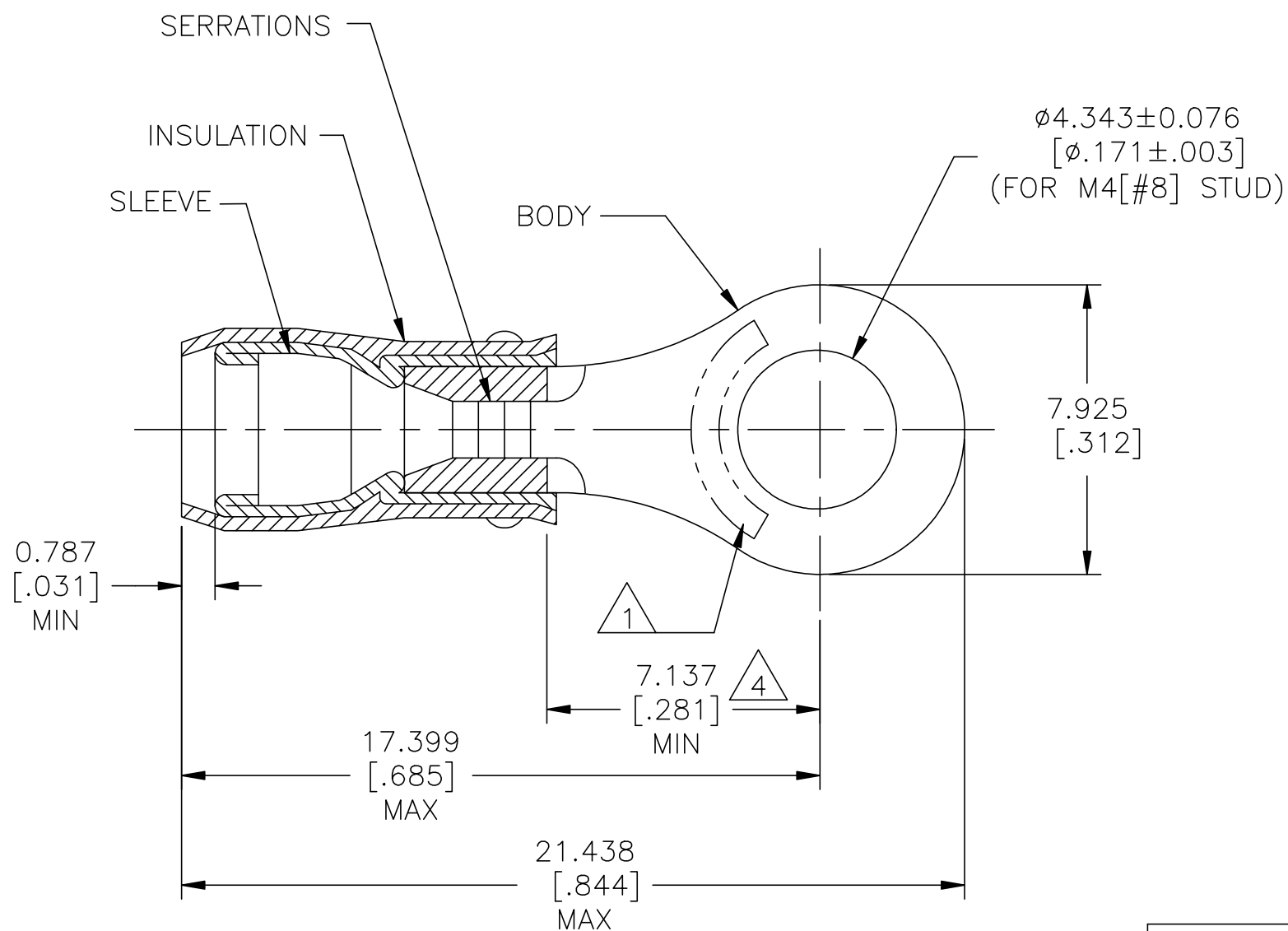
1

© - TE Connectivity. All Rights Reserved.

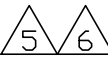

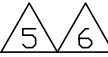

REVISIONS

P	LTR	DESCRIPTION	DATE	DWN	APVD
	AB	REVISED PER ECR-23-175984	30MAY2023	BB	DSC





AMP WIRE RANGE	 E13288 Listed	 LR7189 Certified
22-16 AWG SOLID OR STRANDED	22-16 AWG STRANDED	22-16 AWG SOLID OR STRANDED



- 1 STAMP AMP 22-18* APPROX AS SHOWN
22-16 TERMINALS ARE STAMPED 22-18 IN
ACCORDANCE WITH MILITARY SPEC SAE AS7928
COMMERCIAL WIRE RANGE IS 22-16.
- 2 WIRE INSULATION DIA: $\phi 2.032-3.175[\phi.080-.125]$.
- 3 BODY MATERIAL THK: $0.787\pm 0.051[.031\pm.002]$.
- 4 APPLIES FROM EDGE OF METAL WIRE BARREL TO
CENTER OF STUD HOLE.
- 5 UL LISTED
- 6 CSA CERTIFIED
- 7 MATERIAL:
BODY & SLEEVE - COPPER PER ASTM B152
INSULATION - NYLON
- 8 FINISH:
BODY & SLEEVE - TIN PLATE $0.00254[.000100]$
MIN EXT THK ASTM B545
INSULATION COLOR - RED

 	-	5000	ON TAPE, REEL	1-320551-1
 	MS25036-149 CLASS 1	1000	LOOSE PIECE	320551
	MILITARY P/N AND CLASS	QUANTITY	PACKAGE TYPE	PART NO

AMP INCORPORATED CUSTOMER SERVICE SYSTEMS		MAX RECOMMENDED OPERATING TEMPERATURE: 105°C[221°F]
FOR ADDITIONAL PRODUCT INFORMATION OR COPIES OF DRAWINGS AND TECHNICAL DOCUMENTS	PRODUCT INFORMATION CENTER 1-800-522-6752	VOLTAGE RATING: 300 V MAX
FOR APPLICATION TOOLING INFORMATION	TOOLING ASSISTANCE CENTER 1-800-722-1111	CIRCULAR MIL AREA: 0.26-1.65mm ² [509-3,260] CIR MILS SOLID OR STRANDED
FOR ORDER ENTRY	1-800-526-5142	

THIS DRAWING IS A CONTROLLED DOCUMENT.		DWN DK SCHRUM 9/8/93	 TE Connectivity Ltd.	
DIMENSIONS: mm [INCHES]		CHK RE HERSEY 9/8/93		
TOLERANCES UNLESS OTHERWISE SPECIFIED:		APVD ML ELLIS 9/8/93	NAME TERMINAL, RING TONGUE, PIDG™, WIRE SIZE, 26-16 AWG	
0 PLC ± - 1 PLC ± - 2 PLC ± - 3 PLC ± 0.127[.005] 4 PLC ± - ANGLES ± -		PRODUCT SPEC UL 486A-B 	APPLICATION SPEC 114-2157	RESTRICTED TO
MATERIAL 	FINISH 	WEIGHT -	SIZE A3	CAGE CODE 00779
CUSTOMER DRAWING			DRAWING NO 320551	REV AB
			SCALE NTS	SHEET 1 of 2

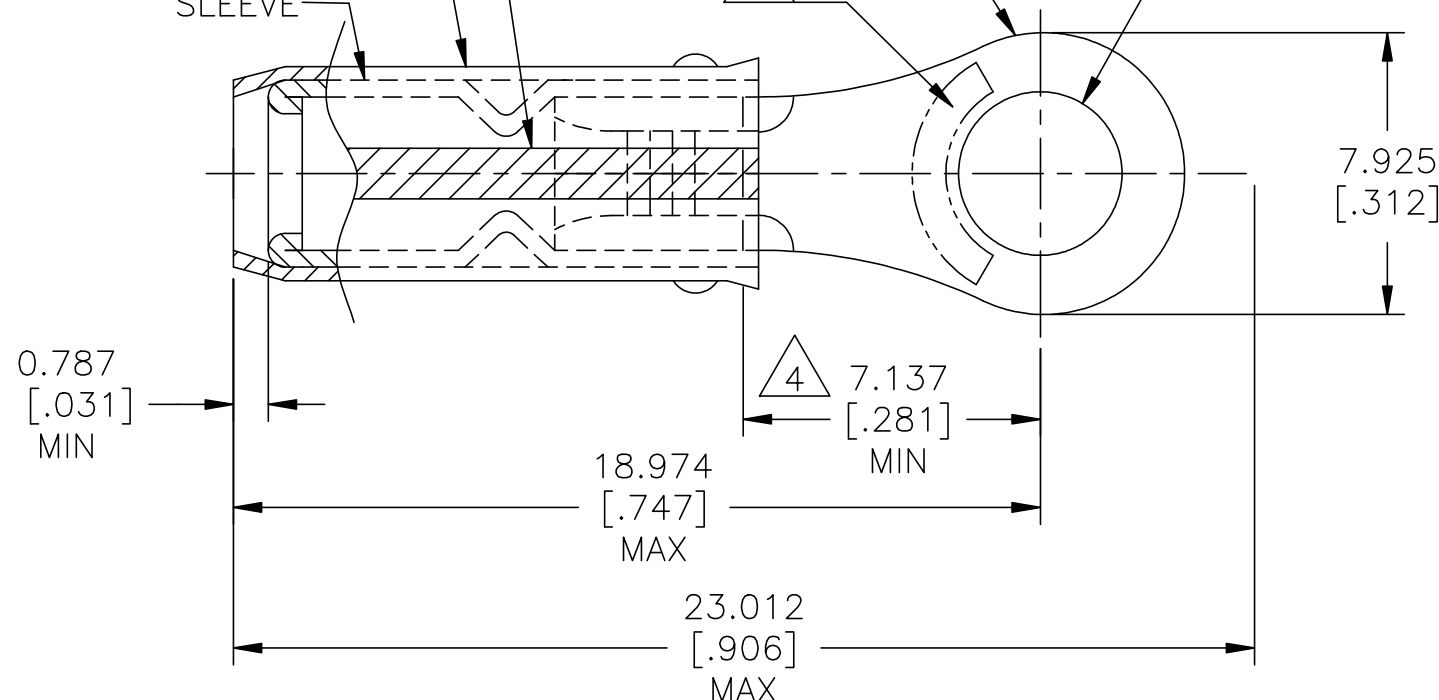
P	LTR	DESCRIPTION	DATE	DWN	APVD
-	-	SEE SHEET 1	-	-	-

3 STRIPES EQUALLY SPACED FOR COLOR CODE: SEE TABLE

INSULATION SLEEVE

BODY

$\phi 4.343 \pm 0.076$
 $[\phi .171 \pm .003]$
 (FOR M4[#8] STUD)



AMP WIRE RANGE	LR 7189 Certified
SEE TABLE STRANDED	WIRE SIZE PER TABLE STRANDED

- 1 STAMP AMP APPROX AS SHOWN SEE TABLE BELOW.
- 2 WIRE INSULATION DIA: $\phi 0.965-2.794$ [$\phi .038-.110$] FOR 22 AWG
 $\phi 1.168-2.794$ [$\phi .046-.110$] FOR 20 AWG
 $\phi 1.422-2.794$ [$\phi .056-.110$] FOR 18 AWG.
- 3 BODY MATERIAL THK: 0.787 ± 0.051 [$.031 \pm .002$].
- 4 APPLIES FROM EDGE OF METAL WIRE BARREL TO CENTER OF STUD HOLE.
- 5 CSA CERTIFIED
- 6 MATERIAL:
 BODY & SLEEVE - COPPER PER ASTM B152
 INSULATION - NYLON
- 7 FINISH:
 BODY & SLEEVE - TIN PLATE 0.00254 [$.000100$]
 MIN EXT THK PER ASTM B545
 INSULATION COLOR - RED

5	-	WHITE	18*	18	5000	ON TAPE, REEL	1-320551-8
5	M7928/1-32 CLASS 1	WHITE	18*	18	1000	LOOSE PIECE	1-320551-4
5	M7928/1-23 CLASS 1	RED	20*	20	1000	LOOSE PIECE	1-320551-3
5	M7928/1-14 CLASS 1	GREEN	22*	22	1000	LOOSE PIECE	1-320551-2

MILITARY P/N AND CLASS	STRIPE COLOR	1	STAMPING	WIRE SIZE	QUANTITY	PACKAGE TYPE	PART NO
------------------------	--------------	---	----------	-----------	----------	--------------	---------

AMP INCORPORATED
 CUSTOMER SERVICE SYSTEMS

MAX RECOMMENDED OPERATING TEMPERATURE:
 105°C [221°F]

THIS DRAWING IS A CONTROLLED DOCUMENT.

DWN	DK SCHRUM	9/8/93
CHK	RE HERSEY	9/8/93
APVD	ML ELLIS	9/8/93



FOR ADDITIONAL PRODUCT INFORMATION OR COPIES OF DRAWINGS AND TECHNICAL DOCUMENTS
 PRODUCT INFORMATION CENTER
 1-800-522-6752

VOLTAGE RATING: 300 V MAX

DIMENSIONS:	TOLERANCES UNLESS OTHERWISE SPECIFIED:
mm [INCHES]	
	0 PLC ± -
	1 PLC ± -
	2 PLC ± -
	3 PLC ± 0.127 [0.005]
	4 PLC ± -
	ANGLES ± -

APPLICATION SPEC	114-2157
WEIGHT	-

NAME
 TERMINAL, RING TONGUE, I.R.,
 PIDG WIRE SIZE, 22, 20 & 18 AWG

FOR APPLICATION TOOLING INFORMATION
 TOOLING ASSISTANCE CENTER
 1-800-722-1111

WIRE RANGE:	CIRC MIL AREA:
22	0.38mm ² [754]
20	0.60mm ² [1,186]
18	0.96mm ² [1,900]

MATERIAL

FINISH

SIZE	CAGE CODE	DRAWING NO	RESTRICTED TO
A3	00779	C-320551	-

FOR ORDER ENTRY
 1-800-526-5142

CUSTOMER DRAWING	SCALE	SHEET	REV
	NTS	2 of 2	AB