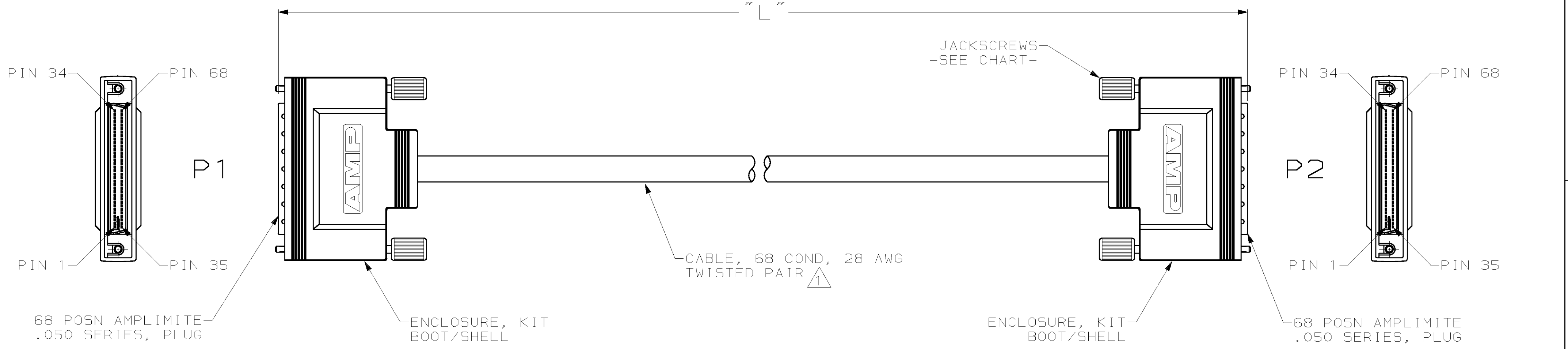


THIS DRAWING IS UNPUBLISHED. RELEASED FOR PUBLICATION  
 (C) COPYRIGHT 19 BY AMP INCORPORATED. ALL RIGHTS RESERVED.

LOC	DIST	REVISIONS					
GP	00	P	LTR	DESCRIPTION	DATE	DWN	APVD
		F		REVISE PER 0520-694-02	240CT02	ECC	GK



WIRING SCHEMATIC

P1 POSN	COLOR	P2 POSN
68	VIO / ORG	68
34	ORG / VIO	34
67	BLU / ORG	67
33	ORG / BLU	33
66	GRN / ORG	66
32	ORG / GRN	32
65	YEL / ORG	65
31	ORG / YEL	31
64	ORG / WHT	64
30	WHT / ORG	30
63	ORG / TAN	63
29	TAN / ORG	29
62	PNK / WHT	62
28	WHT / PNK	28
61	VIO / WHT	61
27	WHT / VIO	27
60	YEL / TAN	60
26	TAN / YEL	26
59	BLU / WHT	59
25	WHT / BLU	25
58	GRN / TAN	58
24	TAN / GRN	24
57	TAN / WHT	57
23	WHT / TAN	23
56	VIO / TAN	56
22	TAN / VIO	22
55	BRN / WHT	55
21	WHT / BRN	21
54	GRY / TAN	54
20	TAN / GRY	20
53	YEL / WHT	53
19	WHT / YEL	19
52	PNK / TAN	52
18	TAN / PNK	18

WIRING SCHEMATIC

P1 POSN	COLOR	P2 POSN
51	GRY / WHT	51
17	WHT / GRY	17
50	BRN / TAN	50
16	TAN / BRN	16
49	PNK / BRN	49
15	BRN / PNK	15
48	GRY / PNK	48
14	PNK / GRY	14
47	VIO / PNK	47
13	PNK / VIO	13
46	BLU / PNK	46
12	PNK / BLU	12
45	GRN / PNK	45
11	PNK / GRN	11
44	YEL / PNK	44
10	PNK / YEL	10
43	ORG / PNK	43
9	PNK / ORG	9
42	GRY / BRN	42
8	BRN / GRY	8
41	VIO / BRN	41
7	BRN / VIO	7
40	GRN / WHT	40
6	WHT / GRN	6
39	BLU / TAN	39
5	TAN / BLU	5
38	BLU / BRN	38
4	BRN / BLU	4
37	GRN / BRN	37
3	BRN / GRN	3
36	YEL / BRN	36
2	BRN / YEL	2
35	ORG / BRN	35
1	BRN / ORG	1

1. INK MARK CABLE AS FOLLOWS:  
 DATE CODE AND COUNTRY OF ORIGIN  
 2. BRAIDED SHIELD TO BE ELECTRICALLY CONNECTED TO BACKSHELL, BOTH ENDS.  
 3. APPLICATION SPEC: 114-40029.

319285-5	96.00	+4.00 -0.00	#2-56
319285-4	12.00	+1.00 -0.00	#4-40
319285-3	120.00	+4.00 -0.00	#4-40
319285-2	72.00	+4.00 -0.00	#2-56
319285-1	36.00	+2.00 -0.00	#4-40
PART NO.	"L"		JACKSCREWS

THIS DRAWING IS A CONTROLLED DOCUMENT.		DWN D.EISENTRAUT 9-23-96	AMP Incorporated Harrisburg, PA 17105-3608
DIMENSIONS: INCHES		CHK J.DICE 9-30-96	
		APVD D.WILSON 9-30-96	NAME D.WILSON
TOLERANCES UNLESS OTHERWISE SPECIFIED: 0 PLC ±- 1 PLC ±- 2 PLC ±- 3 PLC ±- 4 PLC ±- ANGLES ±-		PRODUCT SPEC -	CABLE ASSY, .050 AMPLIMITE, PLUG TO PLUG
MATERIAL -		FINISH -	SIZE A2
		WEIGHT -	CAGE CODE 00779
		CUSTOMER DRAWING	DRAWING NO C-319285
		SCALE 1:1	SHEET 1 OF 1
		REV F	