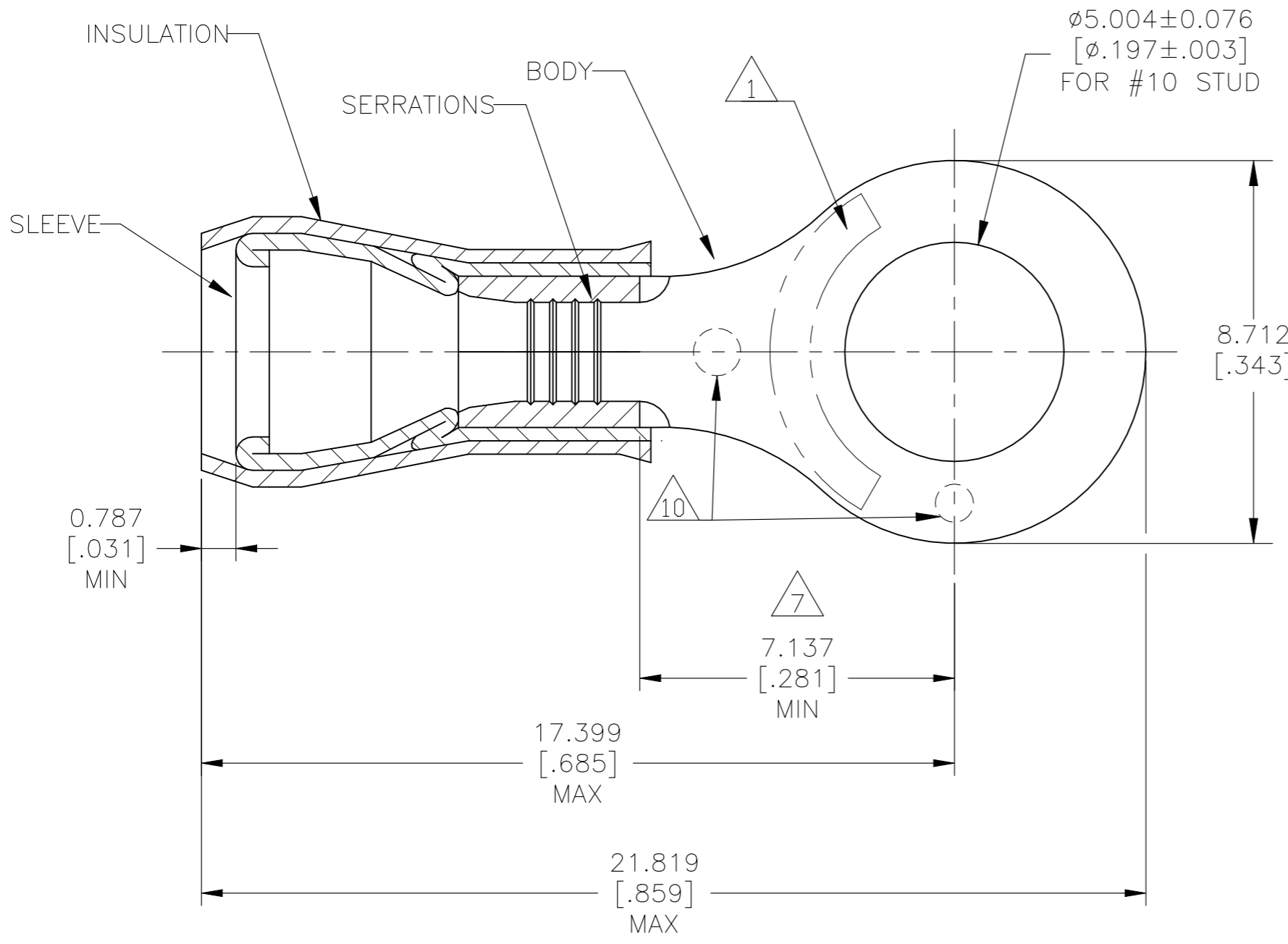


© - TE Connectivity. All Rights Reserved.

REVISIONS				
P	LTR	DESCRIPTION	DATE	APVD
Y		REVISED PER ECR-23-181664	08AUG2023	AP DSC

AMP WIRE RANGE	Listed FILE E13288	LR7189 Certified
16-14 AWG SOLID OR STRANDED	16-14 AWG SOLID OR STRANDED	16-14 AWG SOLID OR STRANDED



- 1 STAMP AMP 16-14* APPROX AS SHOWN
- 2 BODY MATERIAL THK: 0.787±0.051[.031±.002]
- 3 WIRE INSULATION DIAMETER: Ø2.667[.105] TO Ø3.810[.150]
- 4 NOTE DELETED
- 5 NOTE DELETED
- 6 NOTE DELETED
- 7 APPLIES FROM EDGE OF METAL WIRE BARREL TO CENTER OF STUD HOLE
- 8 MATERIAL:
BODY & SLEEVE - COPPER PER ASTM B152
INSULATION - PVC
- 9 FINISH:
BODY & SLEEVE - TIN PLATE 0.00254[.000100]
MIN EXT THK PER ASTM B545
INSULATION COLOR - BLUE
- 10 DIMPLE STAMP MARK OPTIONAL

1000	LOOSE PIECE	31900
QTY	PACKAGING TYPE	PART NO

**AMP INCORPORATED
CUSTOMER SERVICE SYSTEMS**

FOR ADDITIONAL PRODUCT INFORMATION OR COPIES OF DRAWINGS AND TECHNICAL DOCUMENTS
PRODUCT INFORMATION CENTER
1-800-522-6752

FOR APPLICATION TOOLING INFORMATION
TOOLING ASSISTANCE CENTER
1-800-722-1111

FOR ORDER ENTRY
1-800-526-5142

MAX RECOMMENDED OPERATING TEMPERATURE:
105° C [221° F]

VOLTAGE RATING:
300 V MAX

WIRE CROSS SECTIONAL AREA RANGE:
1.04-2.62mm² [2050-5180] CIR MILS
SOLID OR STRANDED

THIS DRAWING IS A CONTROLLED DOCUMENT FOR AMP INCORPORATED. IT IS SUBJECT TO CHANGE AND THE CONTROLLING ENGINEERING ORGANIZATION SHOULD BE CONTACTED FOR THE LATEST REVISION.

THIS DRAWING IS A CONTROLLED DOCUMENT.

DIMENSIONS:
mm [INCHES]

TOLERANCES UNLESS OTHERWISE SPECIFIED:

0 PLC	± -
1 PLC	± -
2 PLC	± -
3 PLC	± 0.127[.005]
4 PLC ANGLES	± -

MATERIAL

FINISH

DWN jr_ruth 03MAR10
CHK T MICHELUTTI 03MAR10
APVD T MICHELUTTI 03MAR10
PRODUCT SPEC
UL486A-B
APPLICATION SPEC
114-2157
WEIGHT -

STE TE Connectivity

NAME
TERMINAL, RING TONGUE, PIDG
WIRE SIZE: 16-14 AWG

SIZE A3 CAGE CODE 00779 DRAWING NO C-31900 RESTRICTED TO -

CUSTOMER DRAWING SCALE 8:1 SHEET 1 OF 1 REV Y