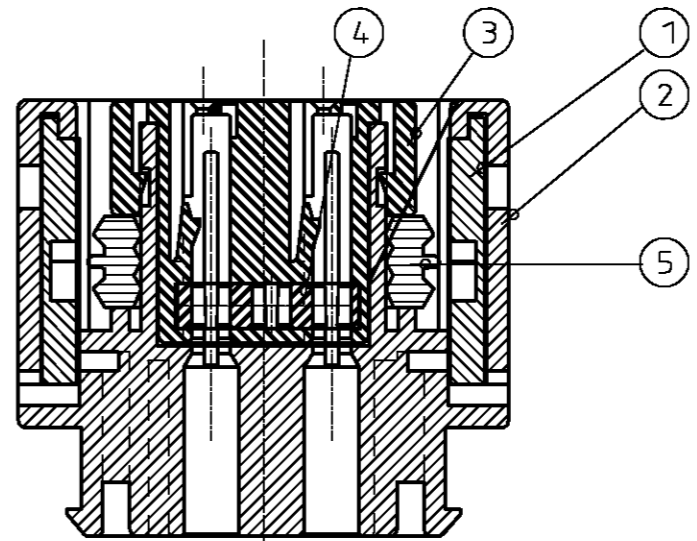
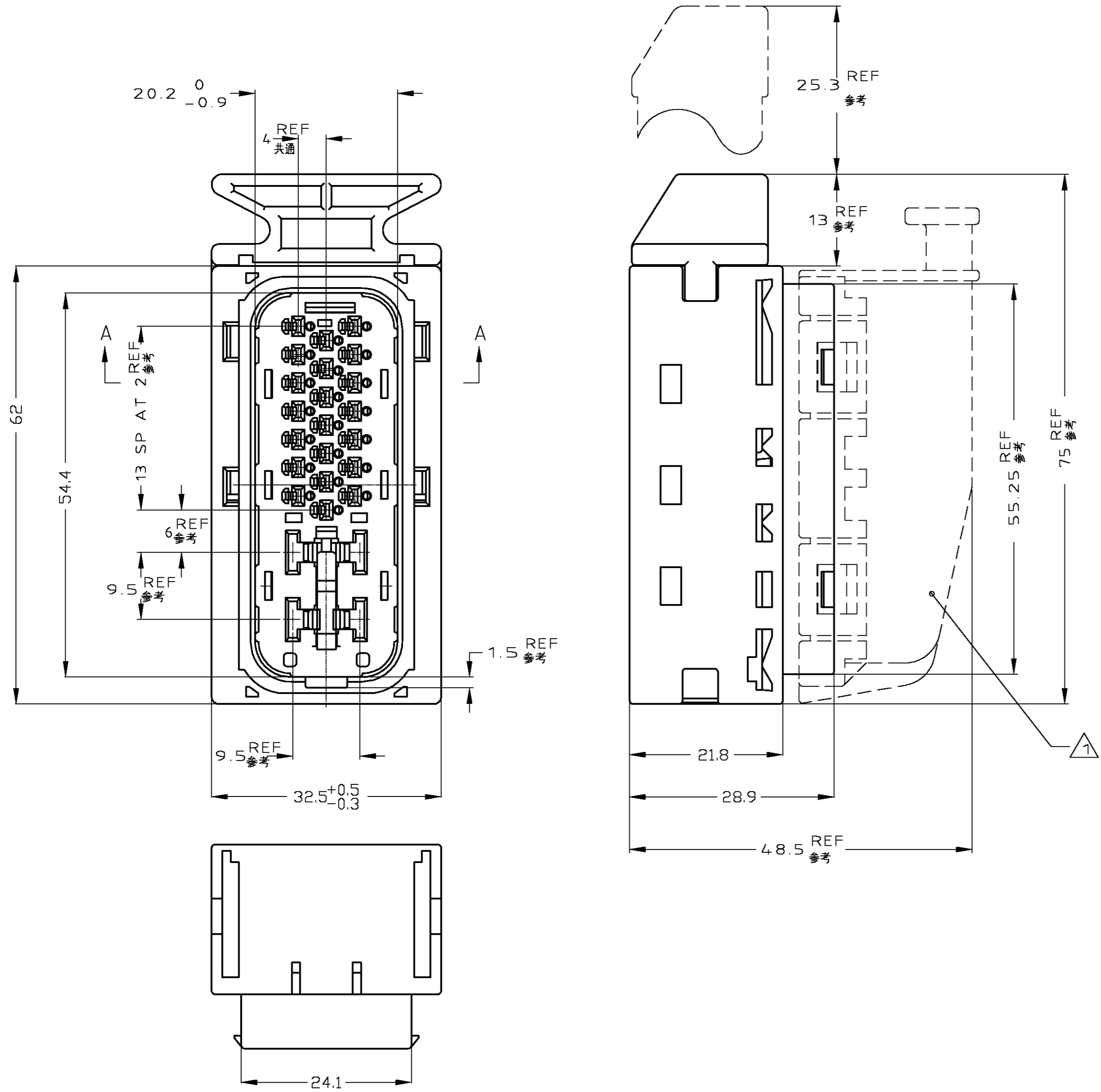


THIS DRAWING IS UNPUBLISHED. RELEASED FOR PUBLICATION 040CT, 070CT96
 © COPYRIGHT 1996 BY TYCO ELECTRONICS CORPORATION. ALL RIGHTS RESERVED.

LOC	DIST	REVISIONS					
J	-	P	LTR	DESCRIPTION	DATE	DWN	APVD
		C3	ADDED	-4 ECR-06-018749	13NOV06	SU	YF



A-A

- ① 適用ファイヤーカバー ; 316873-2
- ② 取扱説明書 ; 411-5789-1, 411-5982
- ③ キャビ埋めパターン ; シート 2 OF 2 参照
- ① APPLY WIRE COVER ; 316873-2
- ② INSTRUCTION SHEET ; 411-5789, 411-5982-1
- ③ CLOSED CAVITY PATTERN ; SEE SHEET 2 OF 2

1	SEE DRAWING 316874-3	1	1	SILICON RUBBER	SEAL RING ソールリング	BROWN (茶色)	5
1		1	1	PBT	DBL LOCK PL ダブルロックプレート	NATURAL (白色)	4
1		1	1	PBT	LANCE HSG ランスハウジング	BLACK (黒色)	3
1		1	1	PBT	PLUG HSG プラグハウジング	BLACK (黒色)	2
-		1	1	PBT	SLIDE スライド	ORANGE (オレンジ)	1
1		1	-	PBT	SLIDE スライド	GRAY (灰色)	1
316874-4	316874-3	316874-2	316874-1	MATERIAL	NAME	COLOR (色)	ITEM NO. 項番

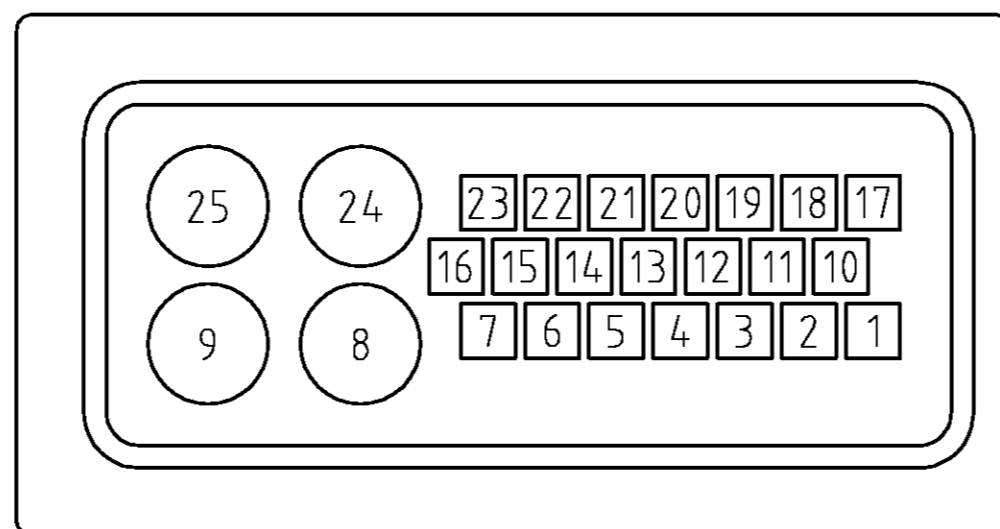
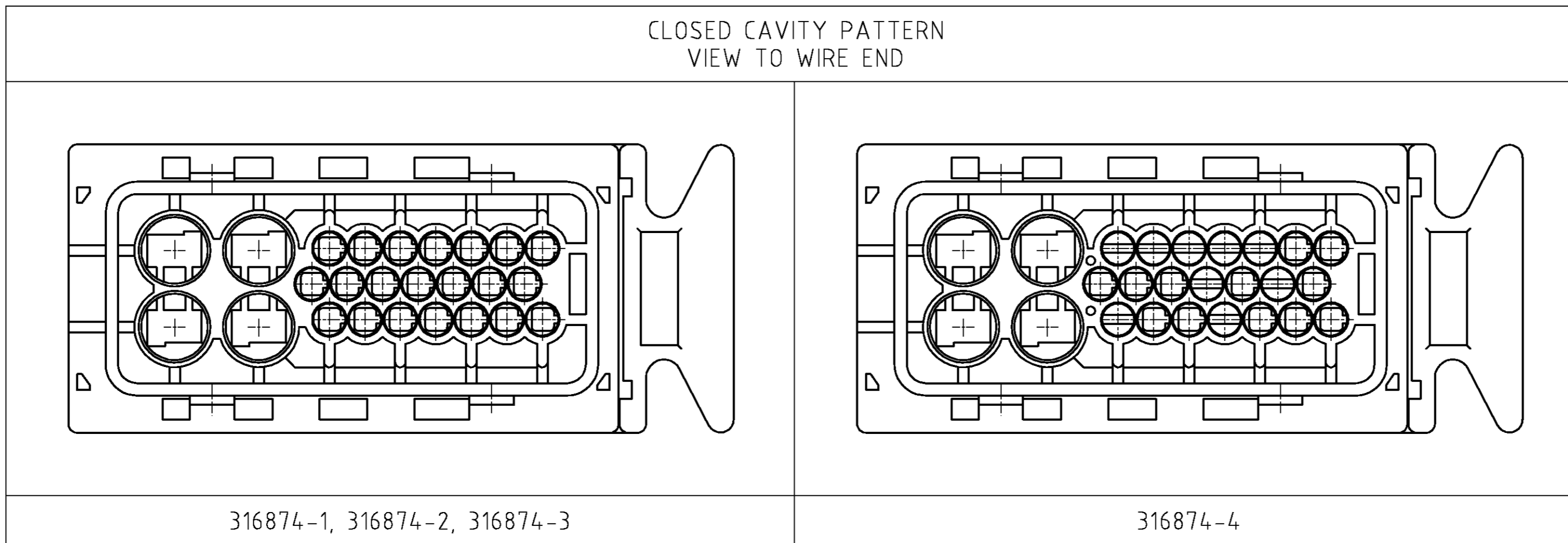
1473234-1		175091-1	114-5126
060 CAVITY PLUG うめ腔型番		175090-1	114-5126
APPLICABLE TERMINAL PN 適用端子型番		900293-1	114-5216
APPLICATION SPEC 取付適用規格			
THIS DRAWING IS A CONTROLLED DOCUMENT.			
DIMENSIONS: MM		TOLERANCES UNLESS OTHERWISE SPECIFIED:	
		0 PLC ± 0.3 1 PLC ± 0.3 2 PLC ± 0.3 3 PLC ± 0.3 4 PLC ± 0.3 ANGLES ± 3	
MATERIAL SEE TABLE		FINISH	
DWN K.BETSUI CHK K.AOYAMA APVD K.ODA		040CT96 040CT96 070CT96	
PRODUCT SPEC 108-5523		NAME 060/187 PLUG ASSY 25POSITION	
APPLICATION SPEC SEE TABLE		SIZE A2	
WEIGHT 43 g		CAGE CODE 00779	
CUSTOMER DRAWING		DRAWING NO. C-316874	
SCALE 2:1		SHEET 1 OF 2	
		REV C3	

316874

THIS DRAWING IS UNPUBLISHED. RELEASED FOR PUBLICATION 040C1 .070CJ98
 © COPYRIGHT 1996 BY TYCO ELECTRONICS CORPORATION. ALL RIGHTS RESERVED.

LOC	DIST	REVISIONS			DATE	DWN	APVD
J	-	P	LTR	DESCRIPTION			
		-	-	SEE SHEET 1 OF 2	-	-	-

CLOSED CAVITY PATTERN
VIEW TO WIRE END



VIEW TO WIRE END
 ○ ; 4.8 TERMINAL POSITIONS
 □ ; 15 TERMINAL POSITIONS
 FIG.1
 1.5/4.8 PLUG ASSEMBLY 25 POSITIONS CIRCUIT LAYOUT
 1.5/4.8 25極プラグアッセンブリ回路番号構成

			X			X													X	X	X	X	X			16 POSITION	316874-4	
																											25 POSITION	316874-3
																											25 POSITION	316874-2
																											25 POSITION	316874-1
1	2	3	4	5	6	7	8	9	10	11	12	13	14	15	16	17	18	19	20	21	22	23	24	25	POSITION	PART NUMBER		

CAVITY POSITION NUMBER
X SHOW CLOSED CAVITY

THIS DRAWING IS A CONTROLLED DOCUMENT.

DIMENSIONS: MM	TOLERANCES UNLESS OTHERWISE SPECIFIED: 0 PLC ± 0.3 1 PLC ± 0.3 2 PLC ± 0.3 3 PLC ± 0.3 4 PLC ± 0.3 ANGLES ± 3	DWN CHK APVD	tyco Electronics	Tyco Electronics AMP K.K. Kawasaki, Japan
MATERIAL: SEE TABLE	FINISH	PRODUCT SPEC APPLICATION SPEC	NAME: 060/187 PLUG ASSY 25POSITION	
		SEE 1 OF 2 SEE 1 OF 2 WEIGHT SEE 1 OF 2	SIZE: A2	CAGE CODE: 00779
		CUSTOMER DRAWING	DRAWING NO: 316874	RESTRICTED TO: -
		SCALE: -	SHEET: 2 OF 2	REV: C3

316874