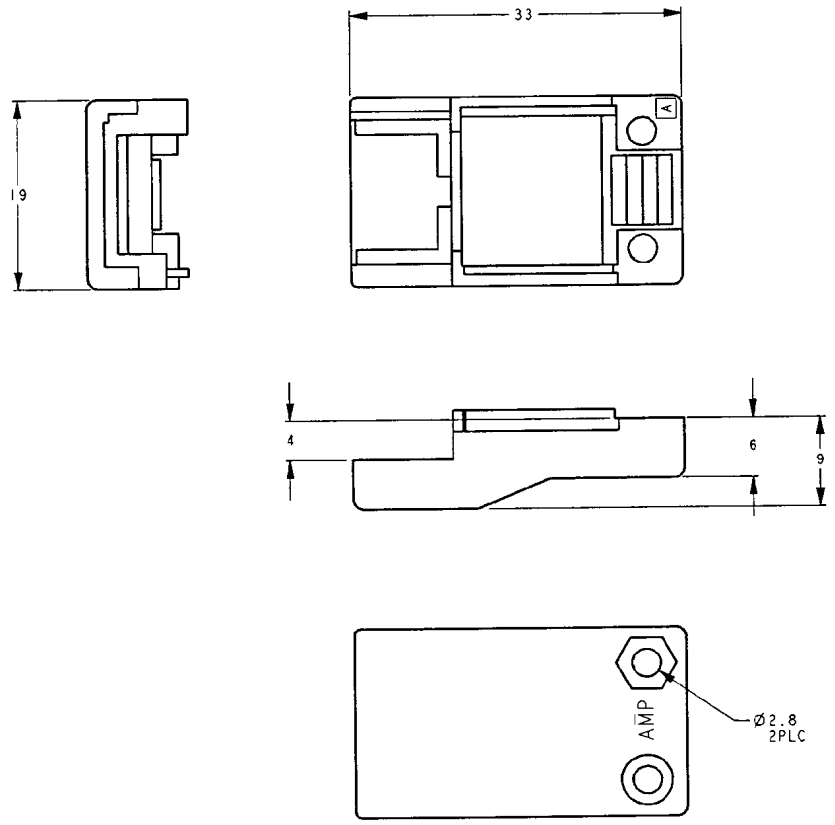


THIS DRAWING IS UNPUBLISHED. RELEASED FOR PUBLICATION, 1995  
 © COPYRIGHT 1995 BY AMP INCORPORATED, ALL RIGHTS RESERVED.

LOC		DIST		REVISIONS				
P	LTR	DESCRIPTION	ECN	DATE	DWN	APVD		
0		作図 (DRAWN)	FJ00-3206-95	31 Oct '95	E.T	I.H		
A		REVISED	ECR-23-178596	19JUNE23	AK	JP		



- 1 : 本図  
 (- 1 : AS SHOWN)

- NOTE:
1. INSULATION DIA RANGE  $\phi 5.5 - \phi 7.0$
  2. SCREWS; CROSS-RECESSED HEAD MACHINE SCREWS M2.6 L10
  3. NUTS; HEXAGON NUTS M2.6
  4. MATING HOUSING □-172161-□

THIS DRAWING IS A CONTROLLED DOCUMENT FOR AMP INCORPORATED. IT IS SUBJECT TO CHANGE AND THE CONTROLLING ENGINEERING ORGANIZATION SHOULD BE CONTACTED FOR THE LATEST REVISION.		DWN <b>E. TAKEMASA</b> 25/SEP/95	WIRE RANGE 絶縁電線断面径	INSULATION DIA 被覆外径
DIMENSIONS: 単位: mm	TOLERANCES UNLESS OTHERWISE SPECIFIED 一般公差 10 $\geq$ : $\pm 0.2$ 30 $\geq$ : $\pm 0.25$ 100 $\geq$ : $\pm 0.3$ ANGLE : $\pm 0.3^\circ$	CHK <b>I. HASEGAWA</b> 31 Oct '95 APVD <b>E. Takemasa</b> 31 Oct '95	<b>AMP</b> 日本エー・エム・ピー株式会社 Kawasaki, Japan	
MATERIAL 66NYLON V-0 W/G 20% BLACK	FINISH 仕上	PRODUCT SPEC APPLICATION SPEC WEIGHT CUSTOMER DRAWING	NAME <b>MINI UMNL CAP CABLE CLAMP</b> ミニユニバーサルメイトロック キャップ ケーブル クランプ	
		SIZE <b>A3</b>	CAGE CODE <b>00779</b>	DRAWING NO. <b>316455</b>
		SCALE 2:1		SHEET 1 OF 1 REV A