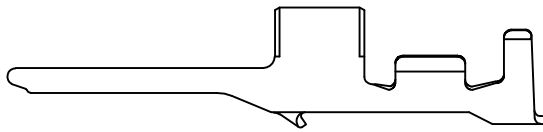
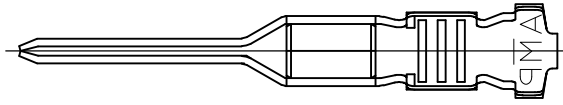


LOC	DIST	REVISIONS 変更					
—	—	P	LTR	DESCRIPTION	DATE	DWN	APVD
		B3		REVISED ECR-14-013446	05SEP2014	W.W	D.Z



注記 ;
1 , コンタクト詳細寸法は、C-917765を参照のこと

NOTES ;
1 , CONTACT DIMENSION & SPEC SEE C-917765

MAKE FROM 917765-1 917765-1 を参照のこと	316399-1
MATERIAL & FINISH 材質及び仕上げ	LOOSE PIECE CONTACT PART NO. バラ端子状型番


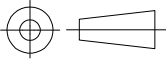
RELEASED FOR PUBLICATION

ALL RIGHTS RESERVED.

Tyco Electronics JAPAN G.K.

© COPYRIGHT

THIS DRAWING IS UNPUBLISHED.

DIMENSIONS: mm	DWN A.OISHI	16JUN96	MATERIAL	SEE TABLE	FINISH	SEE TABLE
	CHK Y.NOGUCHI	16JUN96	 TE Connectivity			
TOLERANCES UNLESS OTHERWISE SPECIFIED:	APVD Y.KASHIWA	16JUN96				
0 PLC ± 10 > : ±0.2	PRODUCT SPEC		NAME			
1 PLC ± 30 > >10 : ±0.25	108-5459		2.5mm シグナルダブルロック バラ端子状 タブコンタクト (M)			
2 PLC ± 100 > >30 : ±0.3	APPLICATION SPEC		2.5mm SIGNAL DBL LOCK LOOSE PIECE TAB. CONT. (M)			
3 PLC ±	114-5203		SIZE	CAGE CODE	DRAWING NO	RESTRICTED TO
4 PLC ±	WEIGHT		A4	00779	C-316399	—
ANGLES ± 3'	CUSTOMER DRAWING		SCALE	5:1	SHEET	1 OF 1
					REV	B3