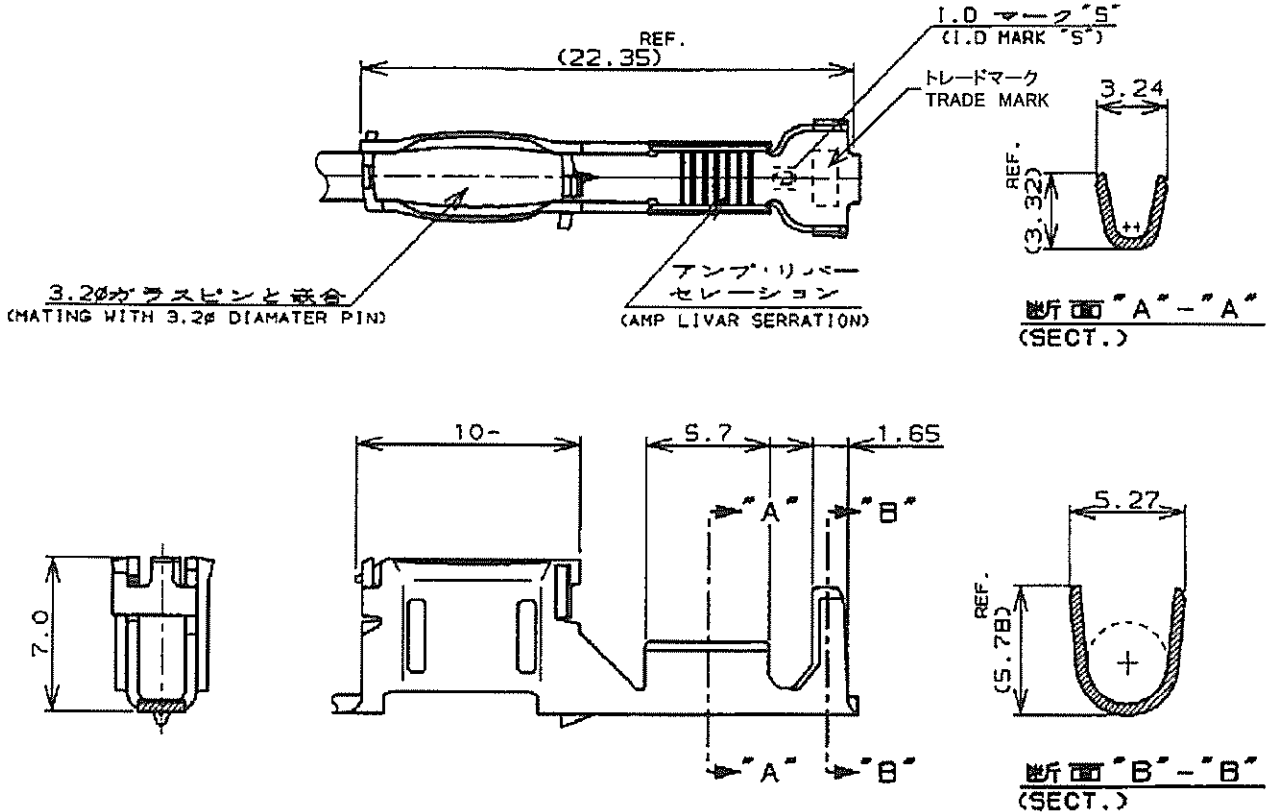


LOC	DTST	REVISIONS						
		P	LTR	DESCRIPTION	ECN	DATE	DWN	APVD
J			B	REVISED	ECR-07-011381	21MAY'07	J.S	S.M



- 注記;
1. 適用ハウジング : []-316293-[]
- NOTES;
1. APPLICABLE HSG : []-316293-[]

316294-1
型番 (P/N)

DIMENSIONS:
単位 ㎜ mm

TOLERANCES UNLESS OTHERWISE SPECIFIED:
一般公差
±0.2
±0.25

DWN 11. JUL. '96 M. SASAKI
CHK 11. JUL. '96 M. SHINDO
APVD 13. JUL. '96 Y. KASHIWA

PRODUCT SPEC
製品規格
108-5494

APPLICATION SPEC
取付適用規格
114-5215

WEIGHT

WIRE RANGE
包合電線断面積
0.32-1.52mm² (AWG #22-#15)

INSULATION DIA
被覆外径
1.3-3.5

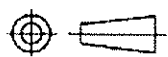
MATERIAL
材料 燐青銅 (PHOS-BRO)

FINISH
仕上 錫めっき仕上 (TIN PLATED)

Tyco Electronics Tyco Electronics AMP K.K.
Kawasaki, Japan

NAME
名称 3.2φ クラスター リセプタクル "S" タイプ
(3.2φ CLUSTER REC. "S" TYPE)

SIZE CAGE CODE DRAWING NO
A4 00779 C=316294



CUSTOMER DRAWING SCALE 尺度 SHEET 1 OF 1 REV B

THIS DRAWING IS UNPUBLISHED. BY AMP INCORPORATED. ALL RIGHTS RESERVED. .19