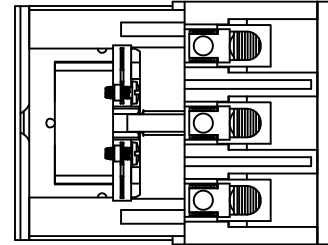


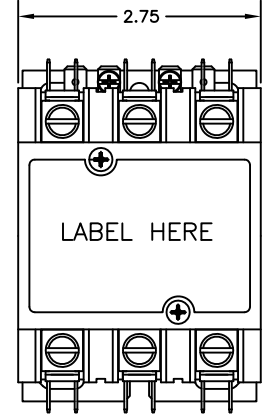
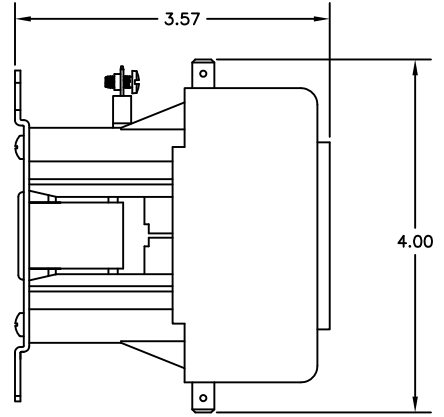
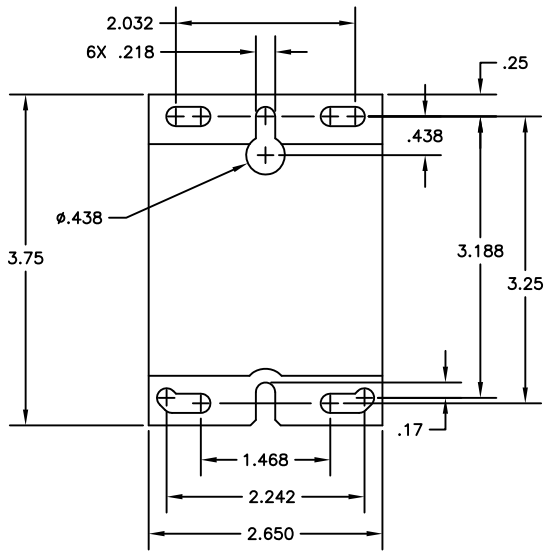
THIS DRAWING IS UNPUBLISHED. RELEASED FOR PUBLICATION  
 © COPYRIGHT - By - ALL RIGHTS RESERVED.

REVISIONS							
LOC	DIST	P	LTR	DESCRIPTION	DATE	DRW	APVD
-	-	A		ECR-11-013163	22JUN11	DH	HT



L1	L2	L3	
3100-30117999CJ			
MODEL 93			
RES PER POLE	VOLTS	1 PH 3 PH FLA LRA	
75 AMP	120	5HP	herm. refrig. comp.
800VAC	208	20HP	
	240	10HP 25HP 60 360	
	480	30HP 60 300	
	600	30HP 60 240	
EN 60947-4-1			
RECOMMENDED TIGHTENING TORQUE OF 50 IN-LBS FOR 75°C			
COIL 24 VAC			
50/60 HZ			
TECO Electronics			
BREAK ALL LINES ABOVE 240V (DATE)			
ASM. IN MEXICO			
T1	T2	T3	

LABEL B1286-378  
 VIEW ENLARGED FOR CLARITY



THIS DRAWING IS A CONTROLLED DOCUMENT.

DIMENSIONS:	TOLERANCES UNLESS OTHERWISE SPECIFIED: (REF. ONLY)
INCHES	0 PLC ± -
	1 PLC ± -
	2 PLC ± .03
	3 PLC ± .010
	4 PLC ± -
	ANGLES ± -

TE PART NUMBER	UL FILE #	CSA FILE #																																						
4-1611022-8	E75492	LR49598																																						
<table border="1"> <tr> <td>DRW</td> <td>22JUN2011</td> <td rowspan="2"> </td> <td rowspan="2">TE Connectivity</td> </tr> <tr> <td>CHK</td> <td>-</td> </tr> <tr> <td>APVD</td> <td>22JUN2011</td> <td colspan="2">NAME</td> </tr> <tr> <td colspan="2">PRODUCT SPEC</td> <td colspan="2">CONTACTOR OUTLINE 3P 60 FLA WITH 24 VAC COIL</td> </tr> <tr> <td colspan="2">APPLICATION SPEC</td> <td colspan="2">RESTRICTED TO</td> </tr> <tr> <td>SIZE</td> <td>CAGE CODE</td> <td>DRAWING NO</td> <td></td> </tr> <tr> <td>A2</td> <td>00779</td> <td>3100-30117999CJ</td> <td></td> </tr> <tr> <td colspan="2">CUSTOMER DRAWING</td> <td>SCALE</td> <td>N/A</td> </tr> <tr> <td colspan="2"></td> <td>SHEET</td> <td>1 of 1</td> </tr> <tr> <td colspan="2"></td> <td>REV</td> <td>A</td> </tr> </table>			DRW	22JUN2011		TE Connectivity	CHK	-	APVD	22JUN2011	NAME		PRODUCT SPEC		CONTACTOR OUTLINE 3P 60 FLA WITH 24 VAC COIL		APPLICATION SPEC		RESTRICTED TO		SIZE	CAGE CODE	DRAWING NO		A2	00779	3100-30117999CJ		CUSTOMER DRAWING		SCALE	N/A			SHEET	1 of 1			REV	A
DRW	22JUN2011		TE Connectivity																																					
CHK	-																																							
APVD	22JUN2011	NAME																																						
PRODUCT SPEC		CONTACTOR OUTLINE 3P 60 FLA WITH 24 VAC COIL																																						
APPLICATION SPEC		RESTRICTED TO																																						
SIZE	CAGE CODE	DRAWING NO																																						
A2	00779	3100-30117999CJ																																						
CUSTOMER DRAWING		SCALE	N/A																																					
		SHEET	1 of 1																																					
		REV	A																																					