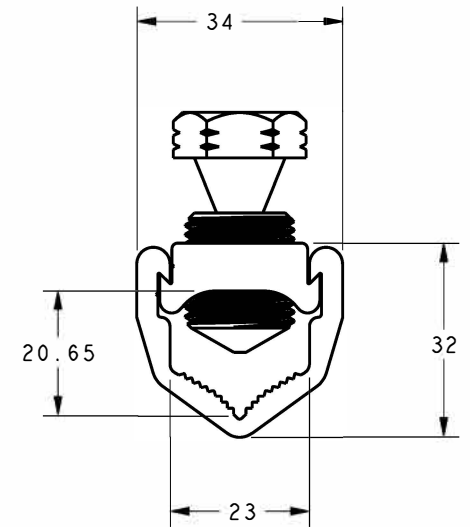
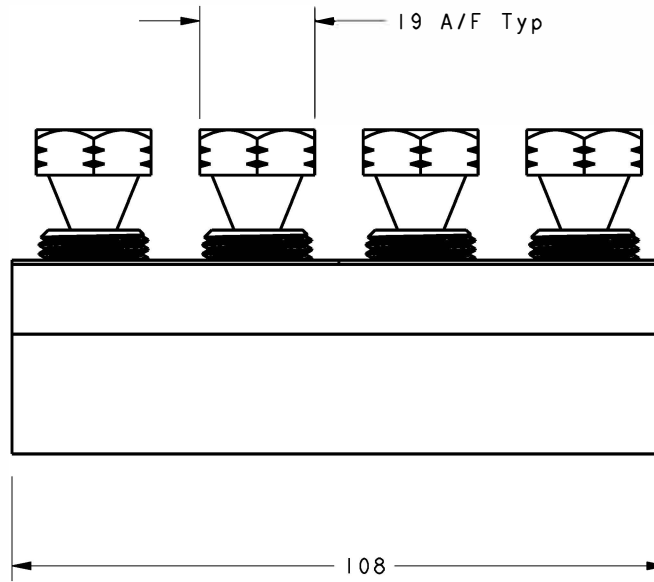


ITEM	PART/DRG NO	QTY	DESCRIPTION
1	01-202-0018	1	UNIVERSAL 185mm ² STRAIGHT BOTTOM INSERT (4 BOLT)
2	01-700-0057	4	M18x1.5 19 A/F 39.5 LONG ALUMINIUM SINGLE-SHEAR BOLT
3	01-710-0021	2	UNIVERSAL 185mm ² TOP INSERT (2 BOLT)



E	TITLE BLOCK REVISED, B&H SHORT DESC. ADDED	S.P.W	25.9.02
D	PART No WAS UST185-2, DRG No WAS S02-A00-A06	S.P.W	23.8.01
C	EXTRUSION REVISED, ITEM 1 & 3	S.P.W	1.3.01
B	PART No REVISED	S.P.W	26.6.00
A	FIRST ISSUE	S.P.W	8.5.00
Revision	Description	Name/ECN	Date
Design/Drawn	S.P.WEST	Date	08-May-00
Scale	(UOS) 4:5	THIRD ANGLE PROJECTION	A4
Checked by	Approved by	Drawing type	Revision
02-2 Q-0014	ASS'EMBLY/CUSTOMER		E

Issued to:	Commercial	Quality	Stores	Production		
		Material	VARIES			
Tyco Electronics UK Ltd Aldridge Site Middlemore Lane West Aldridge West Midlands WS9 8EA Phone: +44(0)1922 743993 Fax: +44(0)1922 744150		Finish	NATURAL			
		Tolerances (UOS)	±-			
		B&H Short Desc.	UST185-2			
IF IN DOUBT ASK - DO NOT SCALE						
Part Description						
UNIVERSAL 185mm ² STRAIGHT CONNECTOR (2 PIECE TOP INSERT)						