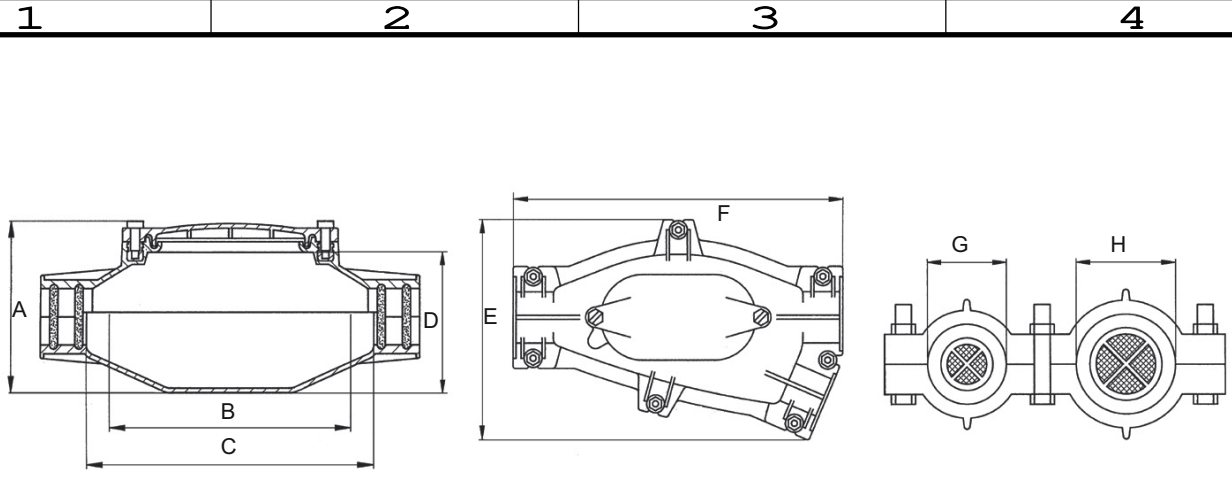



Copying of the document and giving it to other and the use or communication of the contents thereof, are forbidden without express authority. Offenders are liable to the payment of damages. All rights are reserved in the event of the grant of a patent or the registration of a utility model or design.



PRODUCT DIMENSIONS		
	MMY 330/450	HMY 660/661
A	146/151	200
B	200/300	475
C	240/340	515
D	120/130	160
E	220	310
F	330/450	650
G	40/43	51/51
H	50/55	51/65

Dimensions in mm

Customer Drawing							
				2020	DATE	NAME	Y-Joints
				DRAWN	21.01.	Beckmann	
				CHECKED			
						NAMING:	
				 Tyco Electronics Raychem GmbH Werk Berlin		CD-Y-JOINTS	
REV.	MODIFICATION	DATE	N.	CAD NO.:		DRAWING NO.:	
1				2		3	
						REPLACEMENT FOR:	
						4	