

4

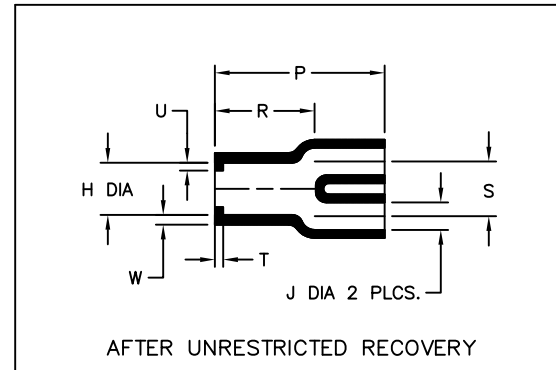
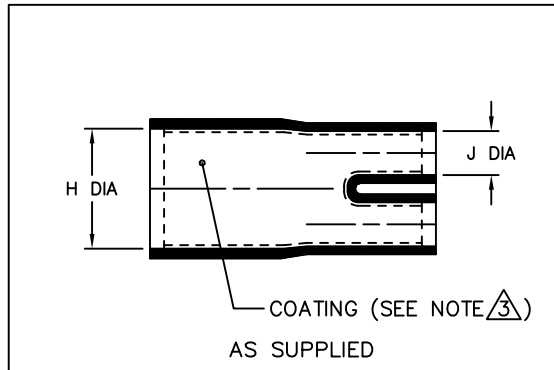
3

2

1

## REVISIONS

LTR	DESCRIPTION	DATE
A	INITIAL RELEASE PER ECO-14-002427	2/18/2014
-	---	---



## NOTES

- ALL DIMENSIONS ARE IN INCHES / [MILLIMETERS].
- DIMENSIONS APPEARING IN TABLE ARE AS FOLLOWS:
  - AS SUPPLIED
  - AFTER UNRESTRICTED RECOVERY

3 COATING (ADHESIVE) IS REQUIRED. AS SUPPLIED DIMENSIONS APPEARING IN TABLE ARE FOR UNCOATED PARTS. WHEN COATING IS ADDED, ENTRY DIAMETER WILL BE REDUCED BY .06 [1.52] MAX.

- ORDERING INFORMATION:

302A115 -X -XX /XXX -0

BASE PART NUMBER \_\_\_\_\_

MATERIAL DASH NUMBER \_\_\_\_\_  
(SEE COMPATIBILITY CHART BELOW)

MODIFICATION NUMBER \_\_\_\_\_

ADHESIVE SLASH NUMBER \_\_\_\_\_  
(SEE COMPATIBILITY CHART BELOW)

COLOR DESIGNATOR \_\_\_\_\_

## TABLE OF DIMENSIONS

PART DESCRIPTION	H		J		P	R	S	T	U	W
	MIN	MAX	MIN	MAX	±10%	±10%	±10%	±20%	±20%	±20%
	a	b	a	b	b	b	b	b	b	b
302A115-X-XX	.435 [11.05]	.25 [6.35]	.220 [5.59]	.10 [2.54]	.812 [20.62]	.562 [14.27]	.188 [4.77]	.05 [1.27]	.03 [0.77]	.04 [1.01]

Raychem Molded parts  
CUSTOMER DRAWING



TE Connectivity

UNLESS OTHERWISE SPECIFIED  
DIMENSIONS ARE INCHES. METRIC  
DIMENSIONS ARE IN BRACKETS.

DECIMAL TOLERANCES  
.XXX ± 0.005 [0.13 mm]  
.XX ± 0.01 [0.25 mm]  
.X ± 0.1 [0.50 mm]

ANGLE TOLERANCE  
.X ± 1 DEG.

TYCO ELECTRONICS RESERVES THE RIGHT TO  
AMEND THIS DRAWING AT ANY TIME. USERS  
SHOULD EVALUATE THE SUITABILITY OF THE  
PRODUCT FOR THEIR APPLICATION.

© 2014 Tyco Electronics Corporation. All rights reserved.

DRAWN

M.MAZARIEGOS

APPROVED

S.GRAVANO

THIRD ANGLE  
PROJECTION

TITLE

BOOT, MODIFIED

SIZE

B

CODE IDENT. NO.

06090

DWG. NO.

302A115-X

DO NOT SCALE THIS DRAWING

SHEET 1 OF 1

## COMPATIBILITY CHART

MATERIAL DASH NO.	MATERIAL DESCRIPTION	RT SPEC.	COATING SLASH NO.	COATING S NO.	COATING DESCRIPTION
-3	Polyolefin, Semi-rigid	RT-301	/86	S-1048	Adhesive
-12	Fluorelastomer, Flexible	RT-1312	/A260	S-1337	Adhesive