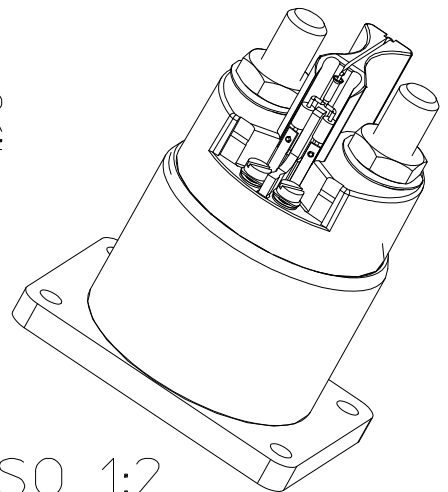
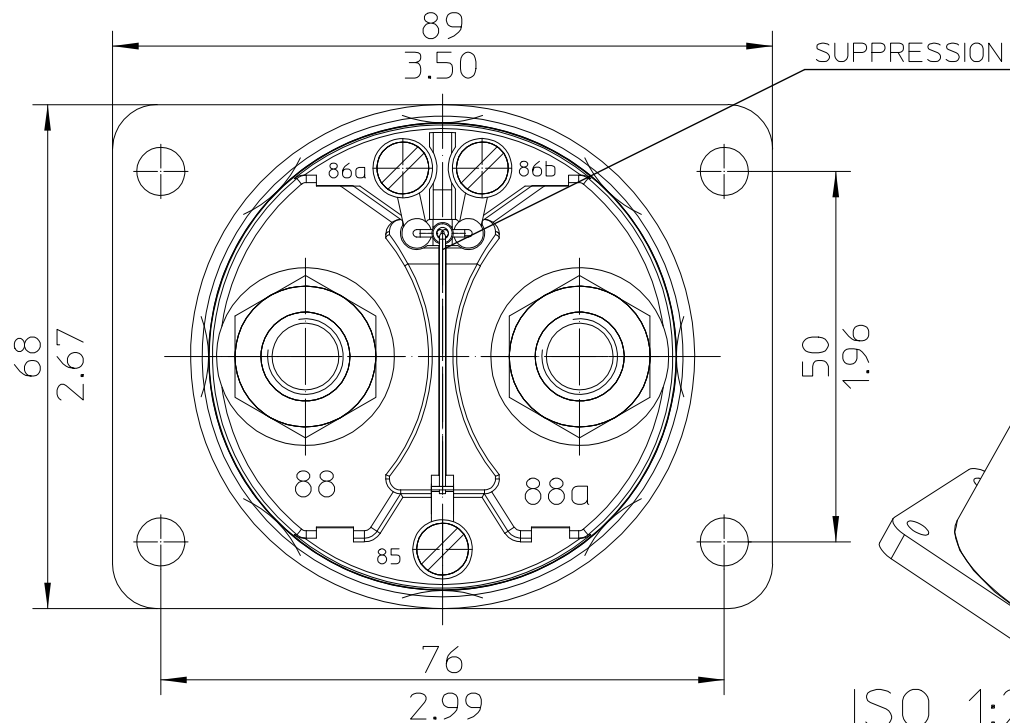
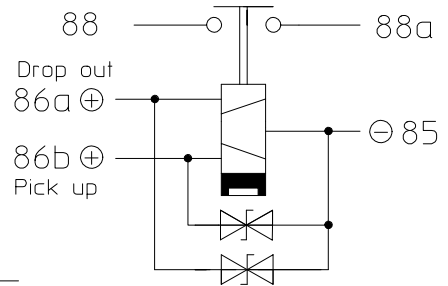


CIRCUIT



	Date	Name	mm inch	Scale 1:1
Drawn	03.05.2017	NMiel		
Check	09.05.2017	Grind	General Tolerances DIN ISO 2768 cL	



Drawing No:

30-513-12

NSN:

Technical Data

Bi-stable relays of the series 30 are equipped with 2 coils and magnetical latching. The relay will pick up (make) by an impulse to the pull-in coil. Without current the make position will be held by a permanent magnet. The relay will open (break) through an impulse to the drop-out coil. Break position is also supported by the permanent magnet.

ENVIRONMENTAL CHARACTERISTICS

TEMPERATURE RANGE .....-40°C TO +85°C (-40°F TO +185°F)  
 MAX. ALTITUDE RATING ..... 50 000 FT  
 SEAL ..... IP67 (6 FT/ 0,2BAR 1 MIN.) I.A.W. IEC 529  
 IP6K9K (STEAM PRESSURE) DIN 40050 PART 9 AND I.A.W. IEC 529  
 SHOCK G-LEVEL ..... 6G/ 11 MSEC  
 VIBRATION ..... 4G/ 50-2000 Hz

ELECTRICAL CHARACTERISTICS

MIN. INSULATION RESISTANCE INITIAL ..... 100 MEGOHMS  
 AFTER LIVE OR ENVIRONMENTAL ..... 50 MEGOHMS  
 DIELECTRIC WITHSTANDING VOLTAGE SEA LEVEL 1 MINUTE: ..... 1050 VOLTS  
 ALTITUDE 1 MINUTE: ..... 500 VOLTS  
 MAX. CONTACT DROP INITIAL ..... 0,15 VDC  
 AFTER LIFE TEST ..... 0,175 VDC  
 OVERLOAD ..... 4000 AMP FOR 1 SEC, 1800 AMP FOR 20 SEC  
 DUTY RATING ..... 500 AMP CONTINUOUS

RATED CONTACT LOAD (28 VDC)

MAIN CONTACT

RESISTIVE LOAD ..... 100 000 CYCLES  
 ENDURANCE ..... 100 000 CYCLES

OPERATING CHARACTERISTICS

COIL DATA

VOLTAGE RANGE ..... 18-32 VDC  
 NOMINAL VOLTAGE ..... 28 VDC  
 PICK UP VOLTAGE MIN. .... 13 VDC FULL TEMP. RANGE  
 DROP OUT VOLTAGE MIN. .... 10 VDC  
 RESISTANCE PULL IN COIL ..... 2,7 OHMS ±10%  
 PULL IN CURRENT APPROX ..... 10 AMP  
 RESISTANCE DROP OUT COIL ..... 3,8 OHMS ±10%  
 DROP OUT CURRENT APPROX. .... 7,3 AMP  
 PICK UP IMPULSE TIME ..... 50 MSEC APPROX. (CONTINUOUS IMPULSE MAX. 1 MIN)  
 DROP OUT IMPULSE TIME ..... 50 MSEC APPROX. (CONTINUOUS IMPULSE MAX. 1 MIN)

TIME-MILLISECONDS-MAX.

OPERATE ..... 25  
 BOUNCE ..... 5  
 RELEASE ..... 10

WEIGHT

0,53 KG = 1,75 POUND MAX.

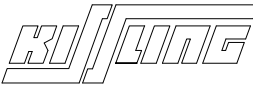
WIRE SECTION (AT NOMINAL LOAD)

MIN. 240mm²/0.372 sq.in./AWG 00

MOUNTING POSITION

OPTIONAL

SUBJECT TO CHANGE

	Date	Name	mm ↔	Scale 1:1		Drawing No: 30-513-12
Drawn	03.05.2017	NMiel	General Tolerances DIN ISO 2768 cL			NSN:
Check	09.05.2017	Grind				