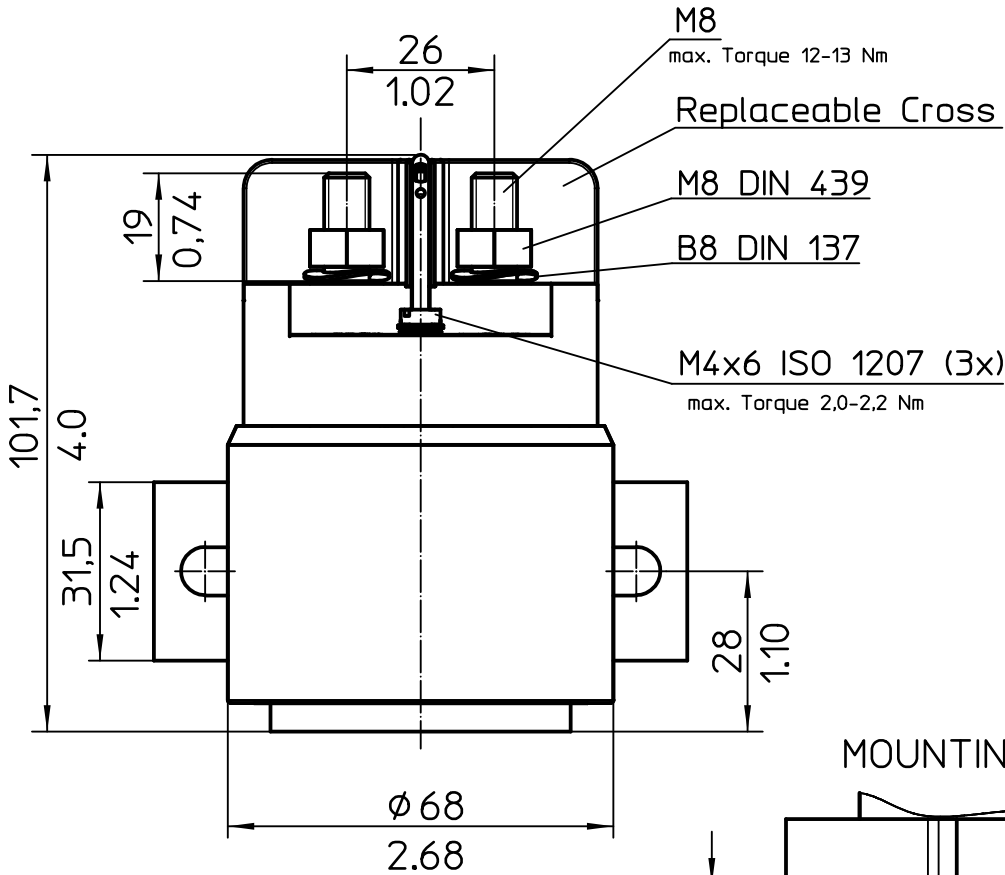
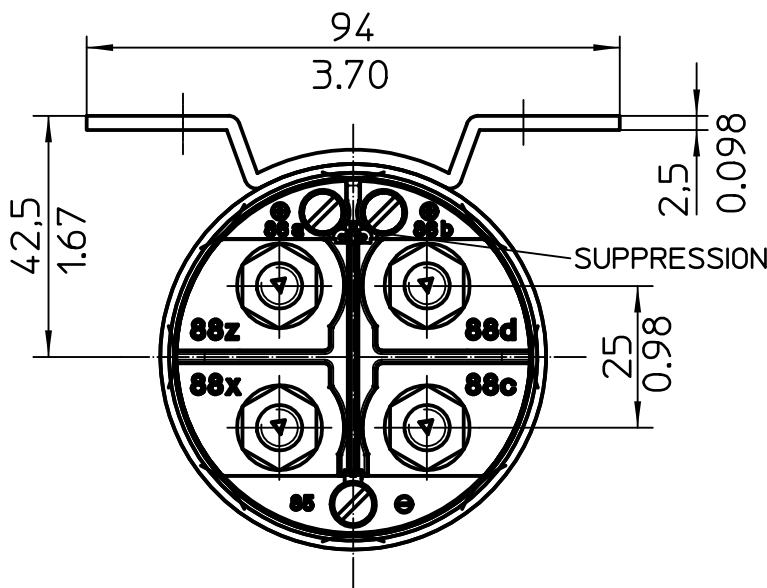
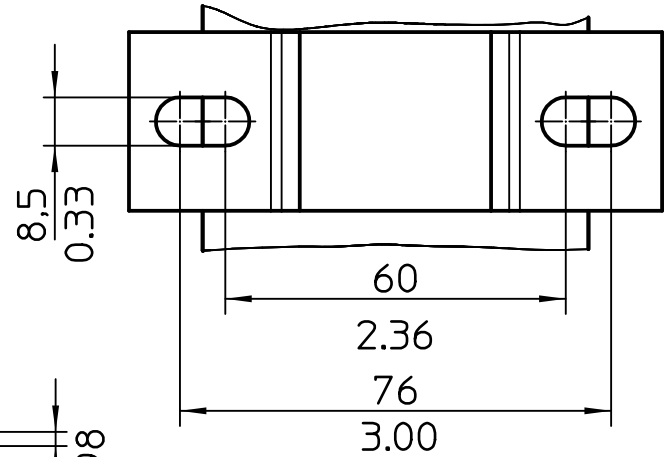


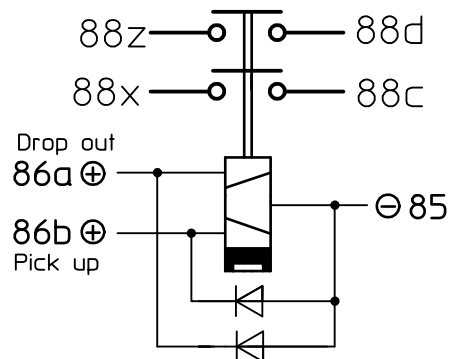
DIMENSIONAL TOLERANCES
 3 PLACE DECIMAL +/- 0,010
 2 PLACE DECIMAL +/- 0,03
 ANGULAR +/- 0°30'



MOUNTING DIMENSION:



CIRCUIT:



	Date	Name	mm inch	Scale 1:1.3
Drawn	19.01.2011	Kaise	General Tolerances DIN ISO 2768 cL	
Check	28.01.2016	Grind		

Drawing No:

30-341-12

NSN:

