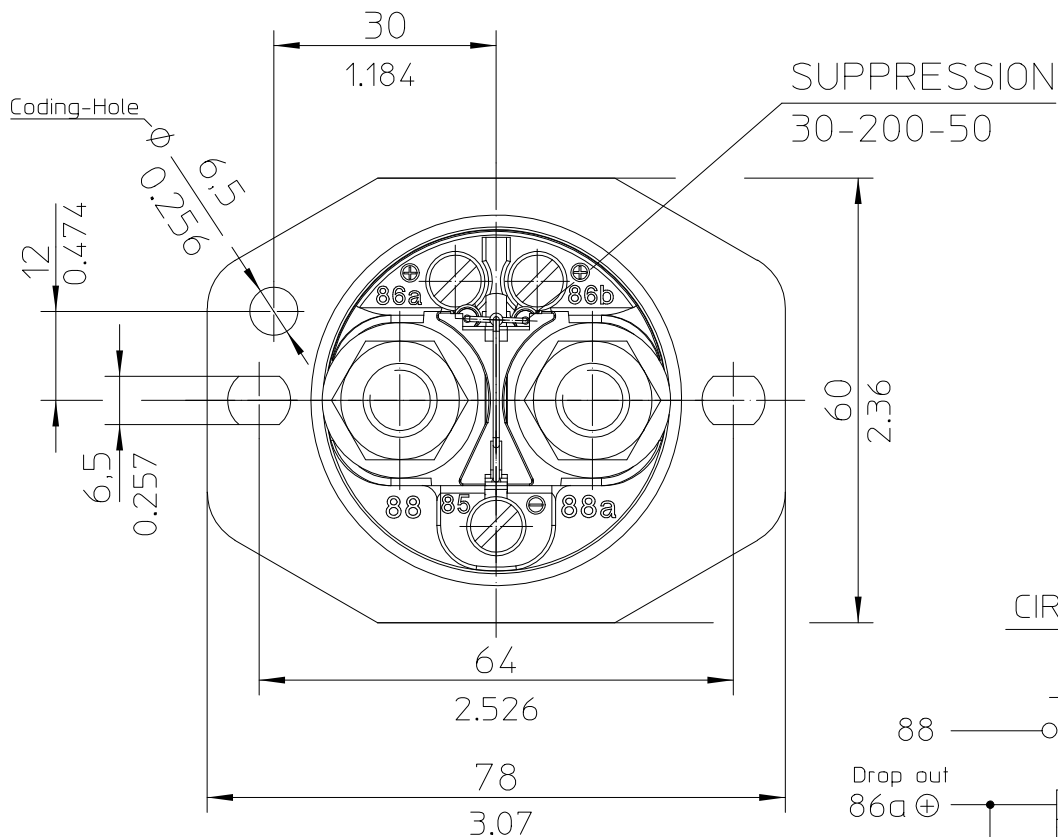


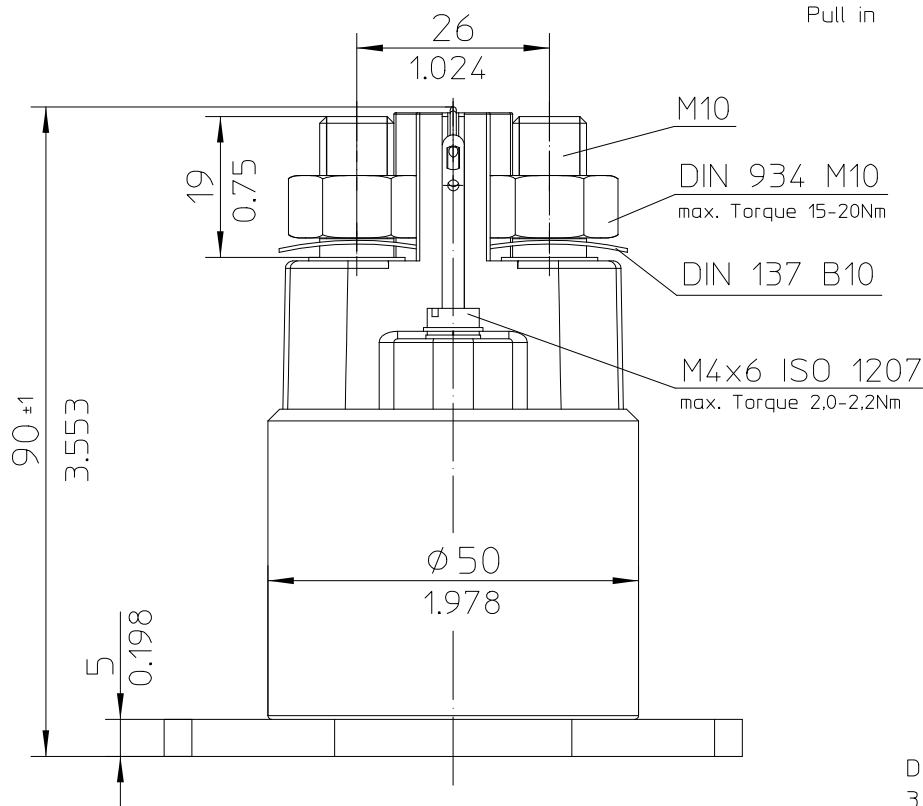
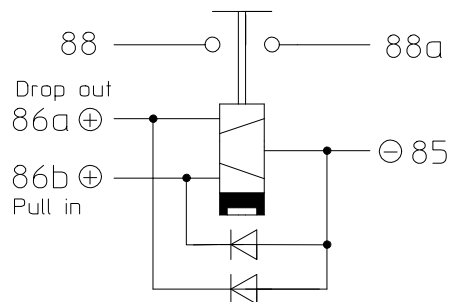
# 300 AMP. POWER RELAY (24 VDC)

BOTTOM MOUNTING SUPPRESSION

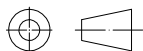


SUPPRESSION  
30-200-50

CIRCUIT



Third Angle Projection



DIMENSIONAL TOLERANCES  
3 PLACE DECIMAL ±0.010  
2 PLACE DECIMAL ±0.03  
ANGULAR ±0°30'

For this drawing we reserve the copyright in accordance with DIN ISO 16016

	Date	Name	mm Inch	Scale 1:1		Drawing No:
Create	28.01.2014	Mielk				30-313-12
Edited	19.11.2019	Mielk	General Tolerances DIN ISO 2768 cL			
Check	19.11.2019	Kaise				NSN:

TECHNICAL DATA

Bi-stable relays of the series 30 are equipped with 2 coils and magnetical latching. The relay will pick up (make) by an impulse to the pull-in coil. Without current the make position will be held by a permanent magnet. The relay will open (break) through an impulse to the drop-out coil. Break position is also supported by the permanent magnet.

ENVIRONMENTAL CHARACTERISTICS

TEMPERATURE RANGE.....-40°C TO +85°C (-40°F TO +185°F)  
 MAX. ALTITUDE RATING.....50 000 FT  
 SEAL.....IEC 529,2.EDITION 1989-IP67 (6 FT/1MIN.) AND IP6K9K  
 SHOCK G-LEVEL.....6G/11 MSEC  
 VIBRATION .....4G/50-2000 Hz

ELECTRICAL CHARACTERISTICS

MIN.INSULATION RESISTANCE,INITIAL.....100 MEGOHMS  
 AFTER LIVE OR ENVIRONMENTAL.....50 MEGOHMS  
 SEA-LEVEL 1 MINUTE .....1 050 VAC  
 DIELECTRIC WITHSTANDING VOLTAGE.  
 ALTITUDE 1 MINUTE..... 500 VAC  
 MAX.CONTACT DROP,INITIAL.....0,15 VDC  
 AFTER LIFE TEST.....0,175 VDC  
 OVERLOAD.....2400 AMP FOR 1 SEC, 600 AMP FOR 20 SEC  
 CONTINUOUS CURRENT.....300 AMP

RATED CONTACT LOAD

RESISTIVE LOAD..... 50 000 CYCLES  
 MECHANICAL LIFE.....100 000 CYCLES

COIL DATA

VOLTAGE RANGE.....18-32 VDC  
 NOMINAL VOLTAGE.....24 VDC  
 PICK UP VOLTAGE MIN.....13 VDC  
 DROP OUT VOLTAGE MIN..... 10 VDC  
 RESISTANCE PULL IN COIL.....7,8 OHMS ±20%  
 PULL IN CURRENT APPROX. ....3,0 AMP  
 RESISTANCE DROP OUT COIL.....8,4 OHMS ±20%  
 DROP OUT CURRENT APPROX.....2,8 AMP  
 PICK UP IMPULSE TIME.....50 MSEC APPROX. (CONTINUOUS IMPULSE MAX. 1 MIN)  
 DROP OUT IMPULSE TIME.....50 MSEC APPROX. (CONTINUOUS IMPULSE MAX. 1 MIN)

OPERATING TIMES

PICK UP.....15  
 DROP OUT.....10  
 BOUNCE.....5

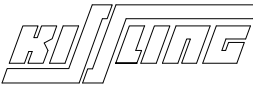
WEIGHT.....0,550 kg= 1.213 POUND MAX.

WIRE SECTION (AT NOMINAL LOAD)..... MIN. 95mm<sup>2</sup> /0,147 sq. in./ AWG 0000

MOUNTING POSITION.....OPTIONAL

SUBJECT TO CHANGE

For this drawing we reserve the copyright  
in accordance with DIN ISO 16016

	Date	Name	mm	Scale		Drawing No:
Create	28.01.2014	Mielk	←→	1:1		30-313-12
Edited	19.11.2019	Mielk	General Tolerances			
Check	19.11.2019	Kaise	DIN ISO 2768 cL			NSN: