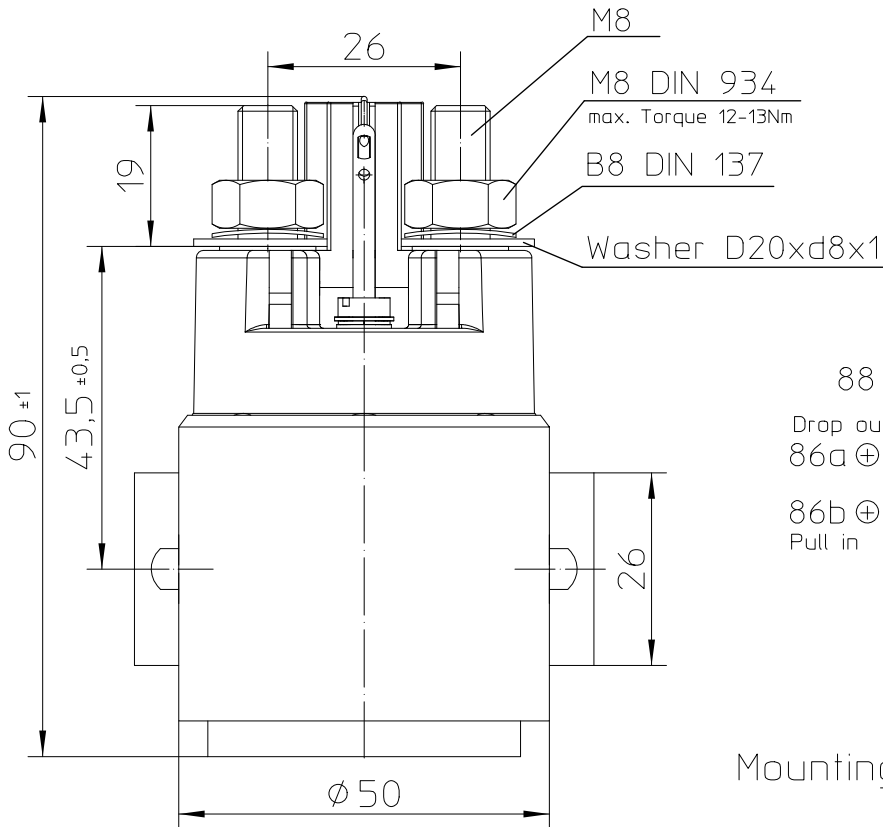
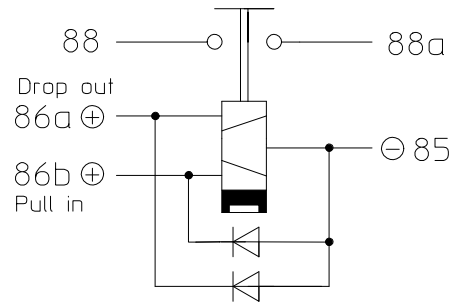


200AMP. BI-STABLE RELAY (24VDC)

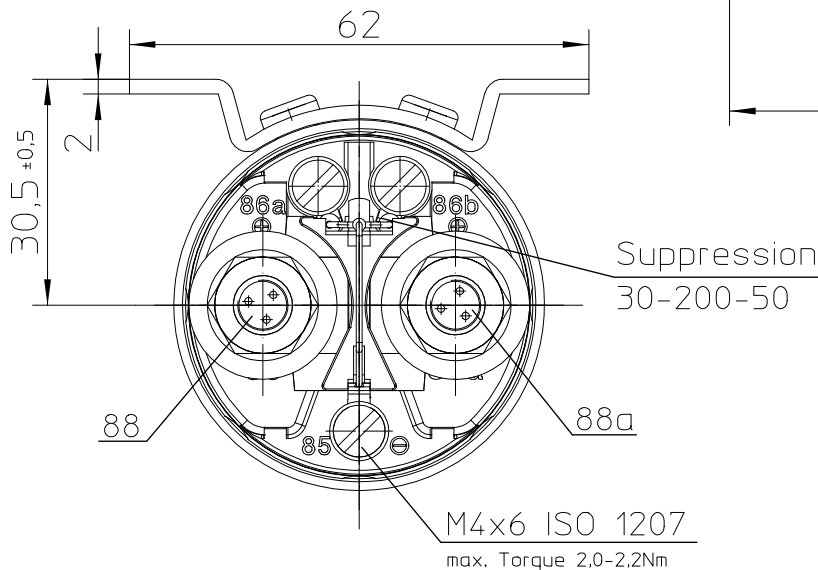
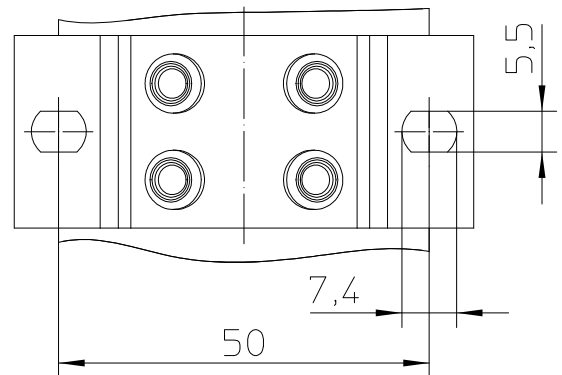
STANDARD SIDE MOUNTING ENVIRONMENTALLY SEALED



Circuit



Mounting Dimension



For this drawing we reserve the copyright in accordance with DIN ISO 16016

	Date	Name
Create	27.08.2015	Seege
Edited	13.11.2019	Mielk
Check	15.11.2019	Kaise

mm ↔	Scale 1:1
General Tolerances DIN ISO 2768 cL	



Drawing No:	30-211-12
NSN:	

Technical Data

Bi-stable relays of the series 30 are equipped with 2 coils and magnetical latching. The relay will pick up (make) by an impulse to the pull-in coil. Without current the make position will be held by a permanent magnet. The relay will open (break) through an impulse to the drop-out coil. Break position is also supported by the permanent magnet.

ENVIRONMENTAL CHARACTERISTICS

TEMPERATURE RANGE -40°C TO +85°C (-40°F TO +185°F)
 MAX. ALTITUDE RATING 50 000 FT
 SEAL IP67 (6 FT/ 0,2BAR 1 MIN.) I.A.W. IEC 529
 IP6K9K (STEAM PRESSURE) DIN 40050 PART 9 AND I.A.W. IEC 529
 SHOCK G-LEVEL 6G/ 11 MSEC
 VIBRATION 4G/ 50-2000 Hz

ELECTRICAL CHARACTERISTICS

MIN. INSULATION RESISTANCE INITIAL 100 MEGOHMS
 AFTER LIVE OR ENVIRONMENTAL 50 MEGOHMS
 DIELECTRIC WITHSTANDING VOLTAGE SEA LEVEL 1 MINUTE: 1050 VAC
 ALTITUDE 1 MINUTE: 500 VAC
 MAX. CONTACT DROP INITIAL 0,15 VDC
 AFTER LIFE TEST 0,175 VDC
 OVERLOAD 1600 AMP FOR 1 SEC, 400 AMP FOR 20 SEC
 DUTY RATING 200 AMP CONTINUOUS

RATED CONTACT LOAD

MAIN CONTACT

RESISTIVE LOAD 50 000 CYCLES
 ENDURANCE 100 000 CYCLES

OPERATING CHARACTERISTICS

COIL DATA

VOLTAGE RANGE 18-32 VDC
 NOMINAL VOLTAGE 24 VDC
 PICK UP VOLTAGE MIN. 13 VDC FULL TEMP. RANGE
 DROP OUT VOLTAGE MIN. 10 VDC
 RESISTANCE PULL IN COIL 7,8 OHMS ±20%
 PULL IN CURRENT APPROX 3,0 AMP
 RESISTANCE DROP OUT COIL 8,4 OHMS ±20%
 DROP OUT CURRENT APPROX 2,8 AMP
 PICK UP IMPULSE TIME 50 MSEC APPROX. (CONTINUOUS IMPULSE MAX. 1 MIN)
 DROP OUT IMPULSE TIME 50 MSEC APPROX. (CONTINUOUS IMPULSE MAX. 1 MIN)

TIME-MILLISECONDS-MAX.

OPERATE 15
 BOUNCE 10
 RELEASE 5

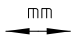

WEIGHT 0,490 KG = 1.080 POUND MAX.

WIRE SECTION (AT NOMINAL LOAD) MIN. 70mm²/0.109 sq.in./AWG 00

MOUNTING POSITION OPTIONAL

SUBJECT TO CHANGE

For this drawing we reserve the copyright in accordance with DIN ISO 16016

	Date	Name		Scale 1:1		Drawing No:
Create	27.08.2015	Seege				General Tolerances DIN ISO 2768 cL
Edited	13.11.2019	Mielk				
Check	15.11.2019	Kaise	NSN:			