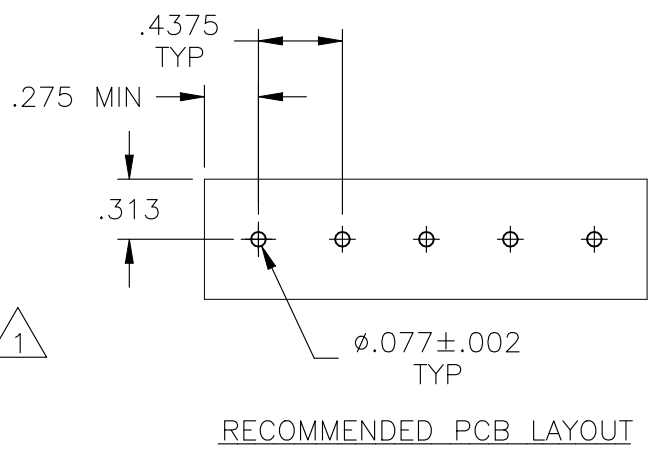
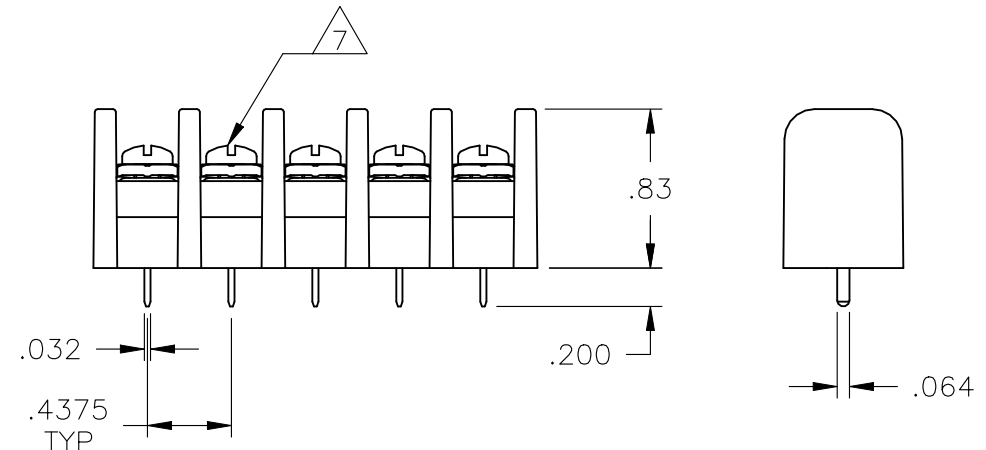
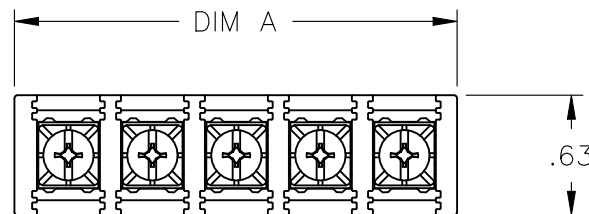


REVISIONS					
P	LTR	DESCRIPTION		DATE	APVD
	R1	OBSOLETING THE PN 1437416-8		29SEP2023	SP PS



MATERIAL:
 HOUSING: THERMOPLASTIC, UL94V-2, BLACK.
 TERMINAL: BRASS, PLATED BRIGHT TIN OVER NICKEL.
 SCREWS: 6-32, STEEL, ZINC AND CHROMATE PLATED ¹
 OR
 NICKEL OVER COPPER PLATED ²

ELECTRICAL:
 MAXIMUM CURRENT: 20A.
 OPERATING VOLTAGE: 600V.
 WIRE RANGE: 12 AWG MAX.
 ENVIRONMENT:
 OPERATING TEMP.: -60°C TO +105°C.

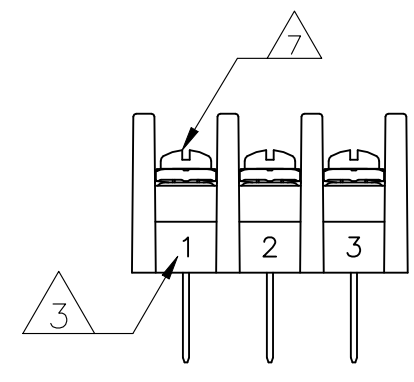
- ³ WHITE INK MARKING, APPROX. AS SHOWN. (SEE PAGE 2)
- ⁴ PRELIMINARY PART NUMBER.
- ⁵ OBSOLETE PARTS: OBSOLETE CIS STREAMLINING PER D.RENAUD/D.SINISI
- ⁶ SPECIAL MARKING SEE DETAIL.
- ⁷ ALL SCREWS BOTTOMED, TORQUE 2 TO 4 IN-LBS

DIM A	NO. OF POS.	CATALOG NUMBER	PART NUMBER
¹ ⁴ 11.937	27	SSB7FP270202	2-1546984-7
¹ 11.500	26	SSB7FP260202	5-1437416-4
¹ 11.062	25	SSB7FP250202	5-1437416-3
¹ ⁴ 10.625	24	SSB7FP240202	2-1546984-4
¹ ⁴ 10.187	23	SSB7FP230202	2-1546984-3
¹ ⁴ 9.750	22	SSB7FP220202	2-1546984-2
¹ ⁴ 9.312	21	SSB7FP210202	2-1546984-1
¹ 8.875	20	SSB7FP200202	5-1437416-2
¹ ⁴ 8.437	19	SSB7FP190202	1-1546984-9
¹ 8.000	18	SSB7FP18020212	5-1437416-1
¹ ⁴ 8.000	18	SSB7FP180202	1-1546984-8
¹ 7.562	17	SSB7FP170202	5-1437416-0
¹ ⁴ 7.125	16	SSB7FP160202	1-1546984-6
¹ 6.687	15	SSB7FP150202	4-1437416-7
¹ 6.250	14	SSB7FP140202	3-796602-3
¹ ⁴ 5.812	13	SSB7FP130202	1-1546984-3
¹ 5.375	12	SSB7FP120202	4-1437416-1
¹ 4.937	11	SSB7FP110202	1-1546561-2
¹ 4.500	10	SSB7FP100202	3-1437416-5
⁴ 4.062	9	SSB7FP091402	2-1546984-9
⁶ ⁴ 4.062	9	SSB7FP09140211	2-1546984-8
¹ 4.062	9	SSB7FP090202	3-1437416-2
¹ 3.625	8	SSB7FP080202	2-1437416-8
¹ 3.187	7	SSB7FP070202	3-796602-2
¹ 2.750	6	SSB7FP060202	2-1437416-2
¹ 2.312	5	SSB7FP050202	1-1437416-7
¹ 1.875	4	SSB7FP040202	1-1437416-2
² 1.437	3	SSB7FP0320911	3-1546561-9
¹ ⁵ 1.437	3	SSB7FP03020211	1546561-6
¹ ⁵ 1.437	3	SSB7FP030202	1437416-8
¹ 1.000	2	SSB7FP020202	1437416-4

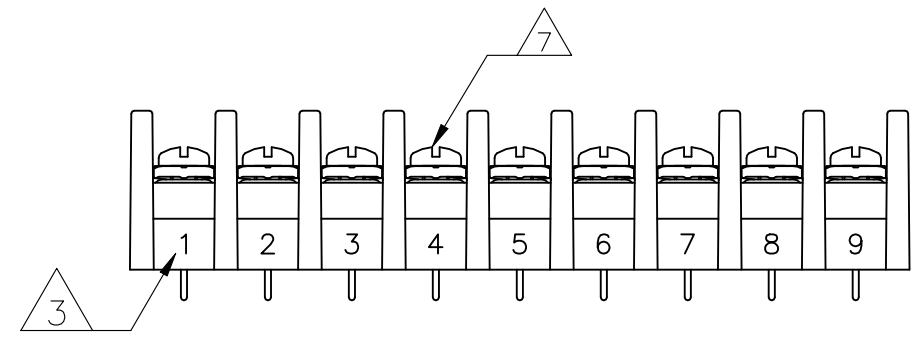
THIS DRAWING IS A CONTROLLED DOCUMENT.		DWN S SCHL GEL 16FEB04	STE TE Connectivity Ltd.	
DIMENSIONS: INCHES		CHK S YODER 2/16/04		
TOLERANCES UNLESS OTHERWISE SPECIFIED:		APVD S YODER 2/16/04	NAME	
0 PLC ± -		PRODUCT SPEC	SSB7 ASSEMBLY	
1 PLC ± -		APPLICATION SPEC	RESTRICTED TO	
2 PLC ± .02		SIZE	CAGE CODE	DRAWING NO
3 PLC ± .010		WEIGHT	A3	00779
4 PLC ± -		G-3-796602-2		
ANGLES ± 1°		SCALE NTS SHEET 1 OF 2 REV R1		
FINISH		CUSTOMER DRAWING		

REVISIONS

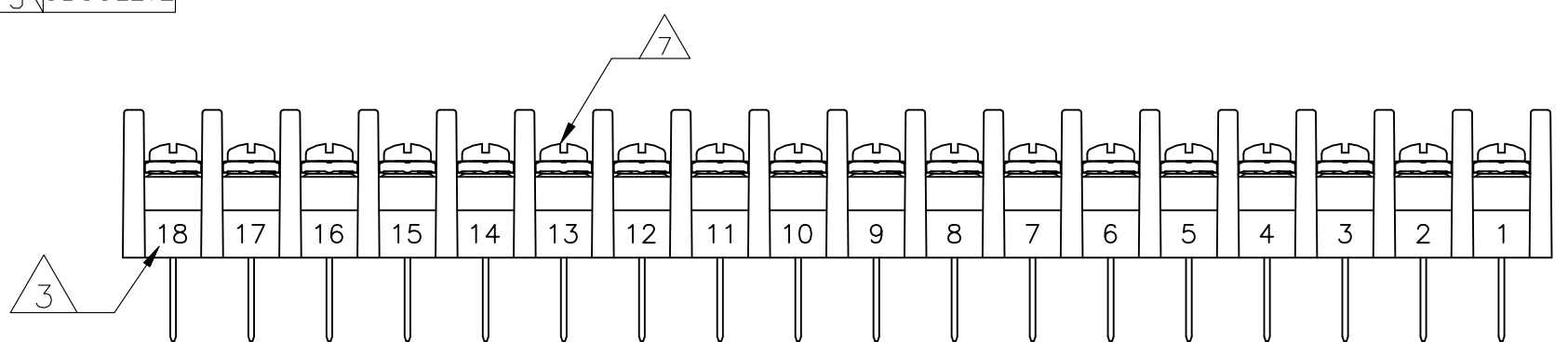
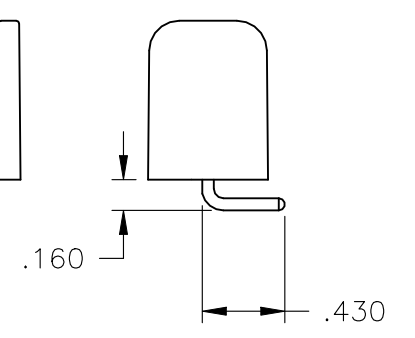
P	LTR	DESCRIPTION	DATE	DWN	APVD
-	-	SEE SHEET 1	-	-	-



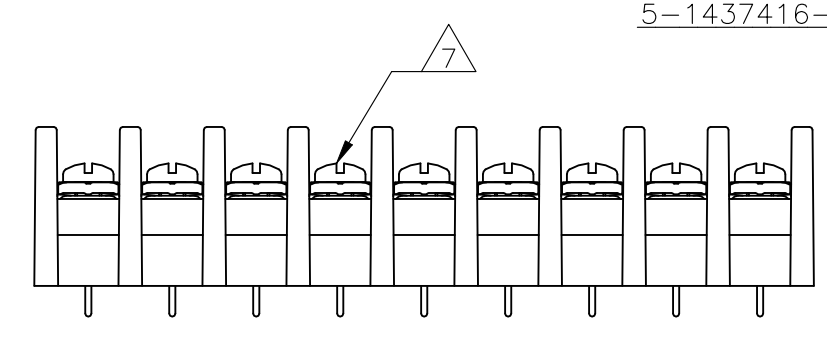
~~5~~ OBSOLETE ~~1546561-6~~



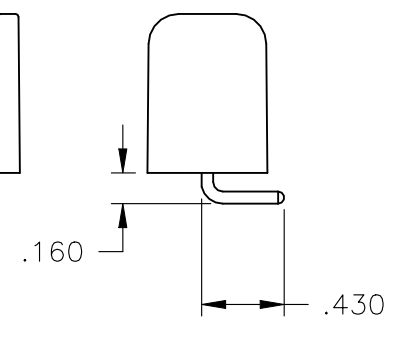
2-1546984-8



5-1437416-1

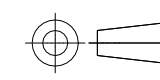


2-1546984-9



THIS DRAWING IS A CONTROLLED DOCUMENT.

DIMENSIONS:
INCHES



TOLERANCES UNLESS OTHERWISE SPECIFIED:

0 PLC	± -
1 PLC	± -
2 PLC	± .02
3 PLC	± .010
4 PLC	± -
ANGLES	± 1°
FINISH	-

MATERIAL

-

DWN	S SCHL GEL	16FEB04
CHK	S YODER	2/16/04
APVD	S YODER	2/16/04



PRODUCT SPEC
-
APPLICATION SPEC
-

NAME			
SSB7 ASSEMBLY			
SIZE	CAGE CODE	DRAWING NO	RESTRICTED TO
A3	00779	C-3-796602-2	-

CUSTOMER DRAWING

SCALE	SHEET	REV
NTS	2 OF 2	R1