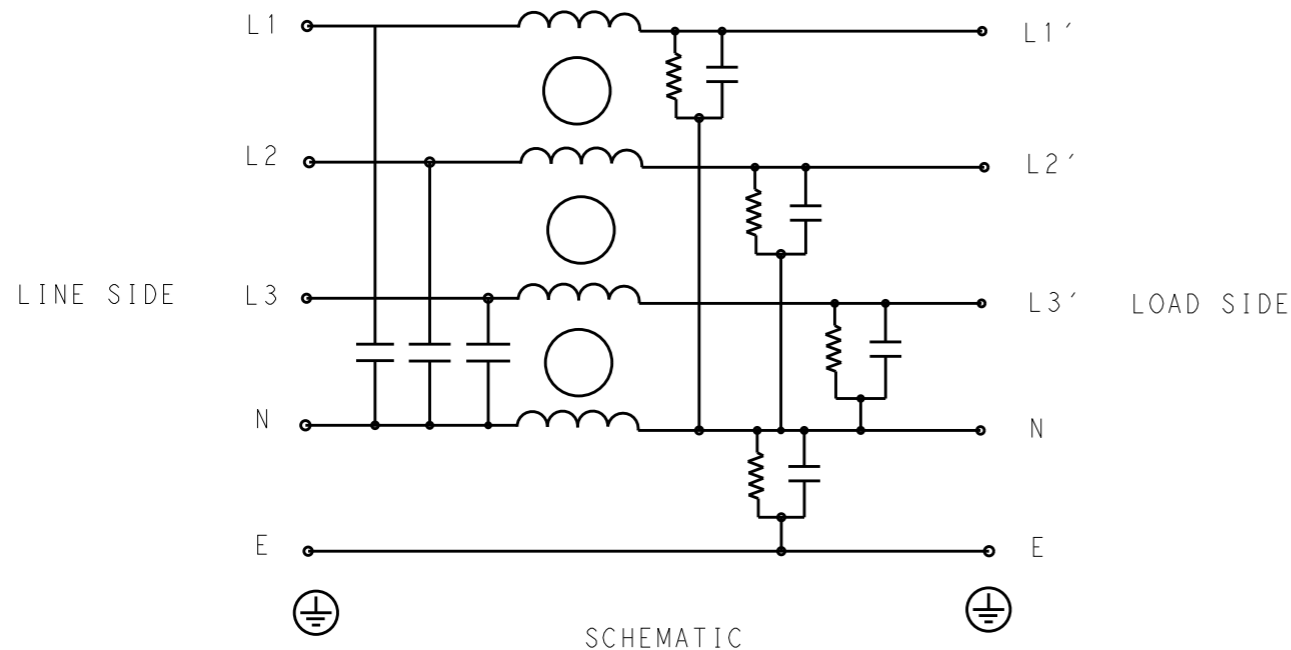
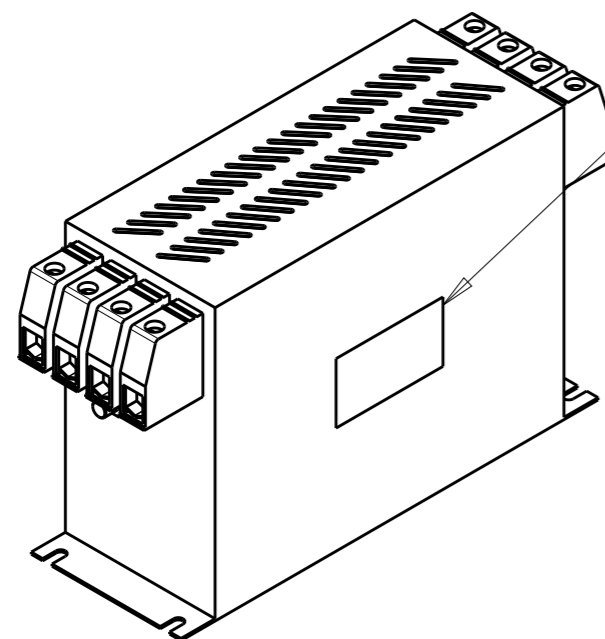


P	LTR	DESCRIPTION	DATE	DWN	APVD
	B	INITIAL RELEASE	08JUL2020	SB	LI



TYPICAL INSERTION LOSS
COMMON MODE 50/50Ω; DIFFERENTIAL MODE 50/50Ω

MHz	0.01	0.05	0.15	0.5	1	3	5	10	30
CM	25	25	32	55	45	32	28	22	12
DM	44	45	49	48	40	31	25	17	16



LABEL TO TE MARKING SPECIFICATION

SAFETY ORGANIZATIONS

THIS FILTER WILL BE FORMALLY RECOGNIZED, CERTIFIED OR APPROVED BY THE LISTED AGENCY. THEREFORE, ALL TEST/REQUIREMENTS SPECIFIED IN THE LATEST REVISION OF THE FOLLOWING AGENCY STANDARDS WILL BE MET:

UL RECOGNIZED* 125A 440V 50Hz/60Hz 40°C
 CSA CERTIFIED** 125A 440V 50Hz/60Hz 40°C
 *31 JULY 2020 ; **31 AUGUST 2020

OPERATING SPECIFICATION

LINE CURRENT/VOLTAGE: 125A, 440VAC
 LINE FREQUENCY: 50/60Hz

MAXIMUM LEAKAGE CURRENT: 11mA @ 230VAC, 50Hz

OPERATING AMBIENT TEMPERATURE RANGE @ RATED CURRENT: -25°C TO +40°C

IN AN AMBIENT, T_a, HIGHER THAN 40°C, THE MAXIMUM OPERATING CURRENT, I_o, IS AS FOLLOWS:

$$I_o = I_r \sqrt{\frac{85 - T_a}{45}}$$

RELIABILITY SPECIFICATIONS

STORAGE TEMPERATURE: -40°C TO +85°C
 HUMIDITY: 21 DAYS @ 40°C AND 95% RH

TEST SPECIFICATIONS

INDUCTANCE, NOMINAL: 0.1mH

CAPACITANCE @ 1kHz

NEUTRAL TO GROUND, NOMINAL: 1μF
 LINE TO NEUTRAL, NOMINAL: 8.8μF

DISCHARGE RESISTOR

L/L I.R. 2MΩ 2W
 L/N I.R. 1.5MΩ 2W
 L/G I.R. 2MΩ 2W
 N/G I.R. 680KΩ 2W
 IR (NO DISCHARGE RESISTOR) 20°C, 50% RH AND 100VDC, MIN: 6MΩ

RECOMMENDED RECEIVING INSPECITON HIPOT

LINE TO GROUND FOR 1 MINUTE: 2632VDC
 LINE TO LINE FOR 1 MINUTE: 1892VDC
 LINE TO NEUTRAL FOR 1 MINUTE: 1093VDC

FILTER APPROVAL

THE BEST WAY TO SELECT AND QUALIFY A FILTER IS FOR YOUR ENGINEERING TO TEST THE UNIT IN YOUR EQUIPMENT.

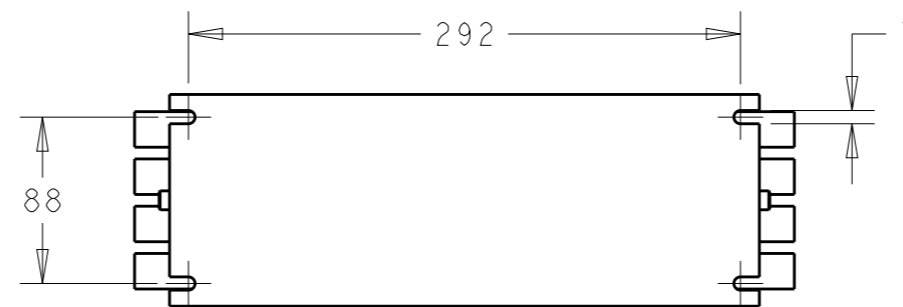
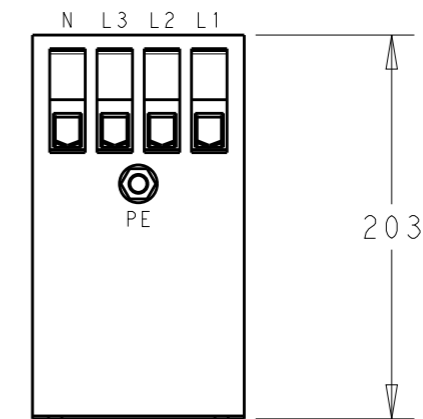
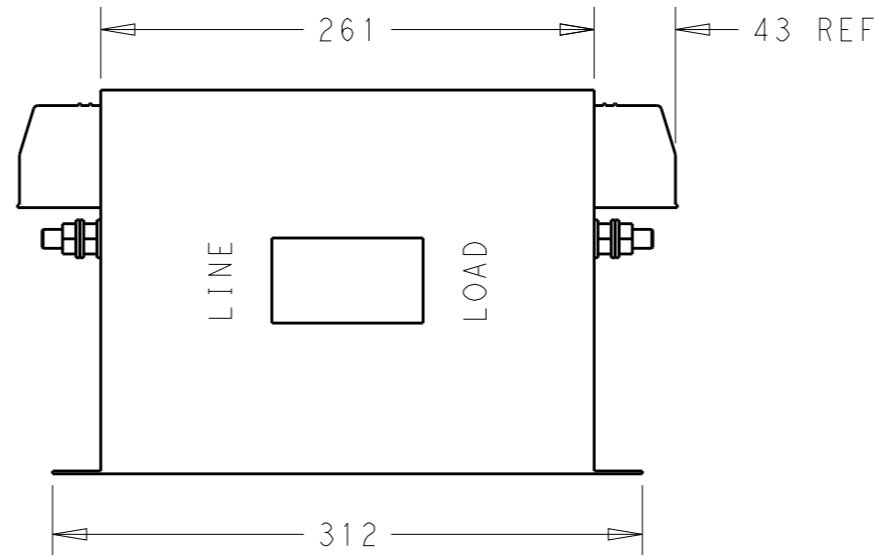
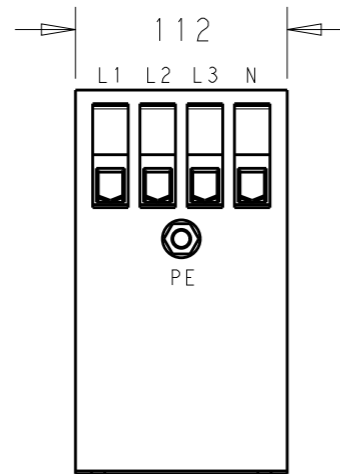
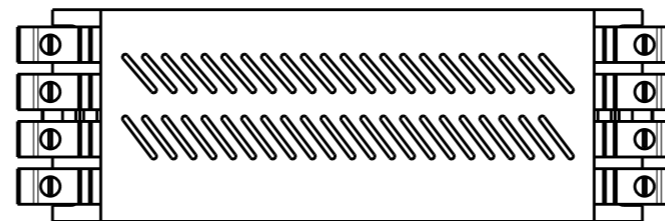
THIS DRAWING IS A CONTROLLED DOCUMENT.		DWN 27FEB2020 SHRICHARANA B	TE Connectivity	
DIMENSIONS: mm		CHK 27FEB2020 LEO IRUDHAYARAJ		
TOLERANCES UNLESS OTHERWISE SPECIFIED:		APVD 27FEB2020 LEO IRUDHAYARAJ	NAME POWER LINE FILTER 125KEPS10ABSW	
0 PLC ±-		PRODUCT SPEC	SIZE	
1 PLC ±0.5		APPLICATION SPEC	CAGE CODE	
2 PLC ±0.40		WEIGHT	DRAWING NO	
3 PLC ±0.130		CUSTOMER DRAWING	RESTRICTED TO	
4 PLC ±0.0500			A300779 C-3-1609968-6	
ANGLES ±-			SCALE 1:4	
MATERIAL			SHEET 1 OF 2	
FINISH			REV B	

© 2020 TE Connectivity. All Rights Reserved.

NOTE 1 GROUND CONNECTION:
 DO NOT LOOSEN INNER GROUND NUTS.
 TORQUE OUTER TERMINAL SCREW: 6Nm / 54 in.lbs
 TORQUE GROUND NUTS: 4-10Nm

NOTE 2 INPUT OUTPUT CONNECTION TERMINAL
 AWG SIZE: 6-1 AWG
 WIRE SECTION: 50 mm²
 THREADED BOLT SIZE FOR GROUND: M10

REVISIONS					
P	LTR	DESCRIPTION	DATE	DWN	APVD
		SEE SHEET 1			



THIS DRAWING IS A CONTROLLED DOCUMENT.		DWN	27FEB2020		
		CHK	27FEB2020		
		APVD	27FEB2020		
		NAME	LEO IRUDHAYARAJ		
DIMENSIONS:		TOLERANCES UNLESS OTHERWISE SPECIFIED:		POWER LINE FILTER	
mm		0 PLC ±0.5		125KEPS10ABSW	
		1 PLC ±0.40		SIZE	
		2 PLC ±0.130		CAGE CODE	
		3 PLC ±0.0500		DRAWING NO	
		4 PLC ANGLES ±		RESTRICTED TO	
MATERIAL		FINISH		A300779	
				C-3-1609968-6	
				SCALE 1:4	
				SHEET 2 OF 2	
				REV B	
		CUSTOMER DRAWING			