

THIS DRAWING IS UNPUBLISHED.

RELEASED FOR PUBLICATION

ALL RIGHTS RESERVED.

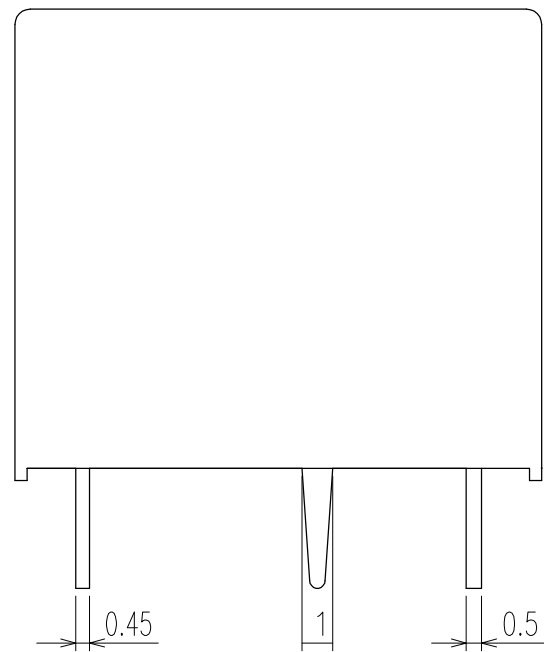
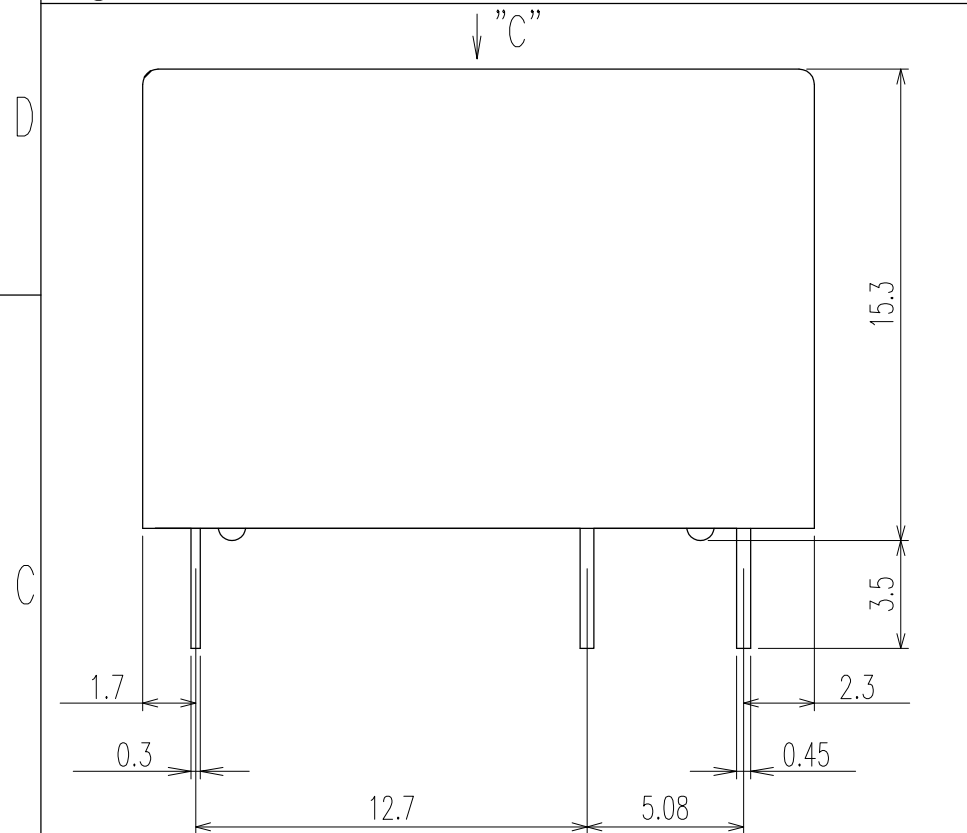
© COPYRIGHT

LOC HB

DIST

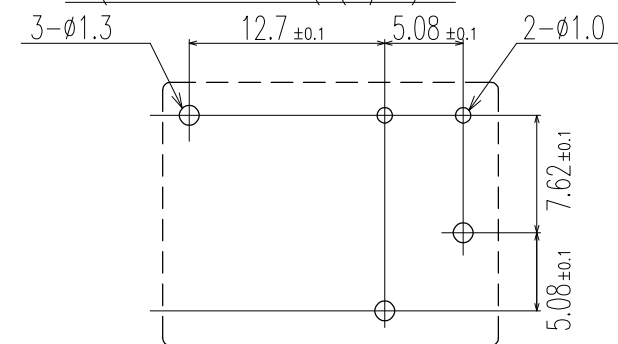
REVISIONS

P	LTR	DESCRIPTION	DATE	DWN	APVD
	B2	REVISED PER ECO-11-005140	29MAR11	RK	HMR

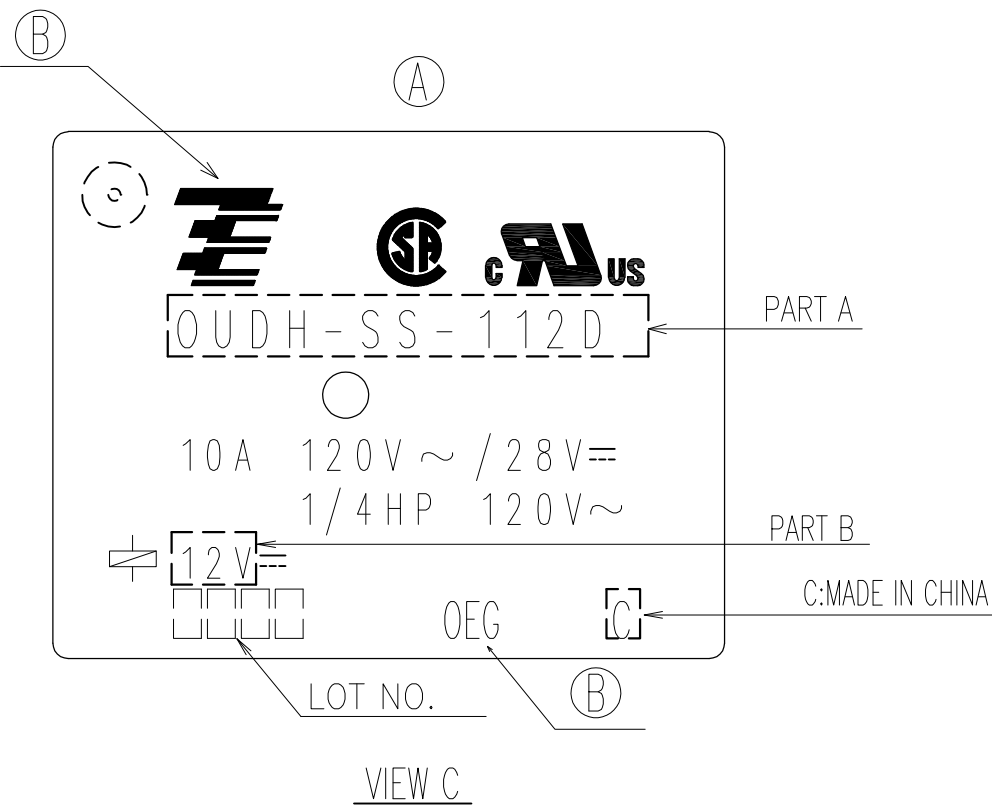
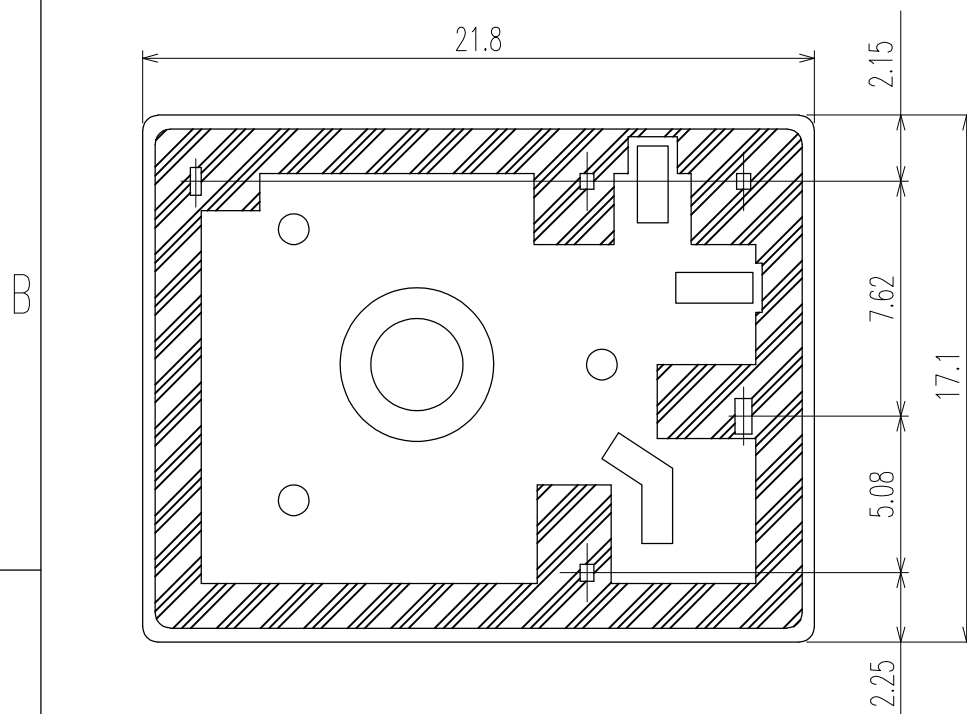
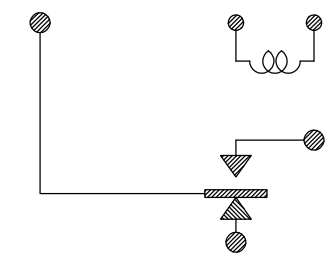


DRILLING DIAGRAM

(BOTTOM VIEW (2/1))



CONNECTION DIAGRAM(BOTTOM VIEW)



GENERAL TOLERANCE

DIMENSION	TOLERANCE
Max. 1mm	±0.1
1mm~Max. 3mm	±0.2
Min. 3mm	±0.3

DIMENSIONS: mm	TOLERANCES UNLESS OTHERWISE SPECIFIED: 0 PLC ± 1 PLC ± 2 PLC ± 3 PLC ± 4 PLC ± ANGLES ±
MATERIAL	FINISH

DWN H.SASAKI	 TE Connectivity	NAME		
CHK N.FUNAYAMA		OUDH-D SPEC,000 CUSTOMER DRAWING		
APVD A.NAGAI		SIZE A3	CAGE CODE 00779	DRAWING NO. 3-1440007-0
PRODUCT SPEC -		RESTRICTED TO		
APPLICATION SPEC -	WEIGHT -	SCALE 4:1	SHEET 1 OF 2	REV B2
CUSTOMER DRAWING				

LOC	DIST	REVISIONS						
		P	LTR	DESCRIPTION	ECN	DATE	DWN	APVD
HB								

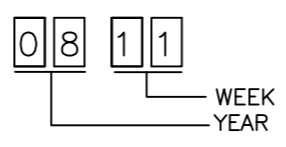
ⓑ	1461249-1	OU DH-SH-148D ,000	48V	OU DH-SH-148D	j
ⓑ	7-1419129-4	OU DH-SH-124D ,000	24V	OU DH-SH-124D	i
ⓑ	7-1419129-2	OU DH-SH-112D ,000	12V	OU DH-SH-112D	h
	7-1419145-4	OU DH-SH-106D ,000	6V	OU DH-SH-106D	g
	7-1419145-3	OU DH-SH-105D ,000	5V	OU DH-SH-105D	f
	8-1419129-5	OU DH-SS-124D ,000	24V	OU DH-SS-124D	e
	8-1419129-0	OU DH-SS-112D ,000	12V	OU DH-SS-112D	d
	7-1419129-6	OU DH-SS-109D ,000	9V	OU DH-SS-109D	c
	7-1419129-5	OU DH-SS-106D ,000	6V	OU DH-SS-106D	b
	3-1440007-0	OU DH-SS-105D ,000	5V	OU DH-SS-105D	a
	PART NO.	DESCRIPTION	PART B	PART A	ITEM

RELAY TYPE

NOTES

- 1.-SS-:PLASTIC SEALD TYPE
- SH-:WASHABLE TYPE

Ⓐ 2.LOT NO. SYSTEM AS FOLLOWING:



DWN			
CHK			
APVD		NAME	
PRODUCT SPEC		OU DH-D SPEC,000 CUSTOMER DRAWING	
APPLICATION SPEC		RESTRICTED TO	
SIZE	CAGE CODE	DRAWING NO	
A3	00779	3-1440007-0	
MATERIAL		WEIGHT	
FINISH		CUSTOMER DRAWING	
DIMENSIONS: mm		SCALE 4:1	
		SHEET 2 OF 2	
TOLERANCES UNLESS OTHERWISE SPECIFIED:		REV B2	
0 PLC	±		
1 PLC	±		
2 PLC	±		
3 PLC	±		
4 PLC	±		
ANGLES	±		