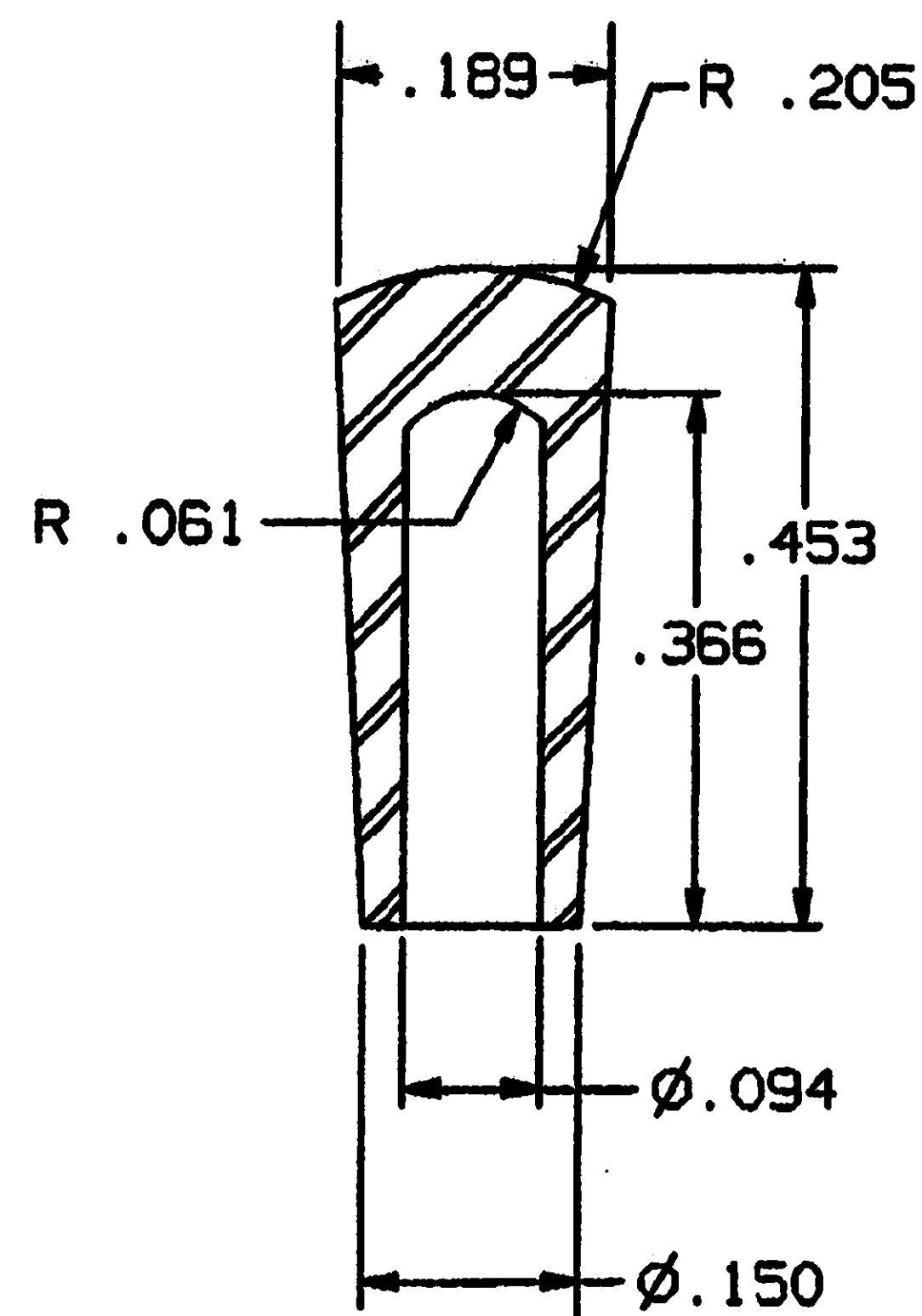


REV. 0	INIT. RELEASE	ESRF AS251	REV.	REV.
	APP'D	<i>Wall</i>	5/4/94	

CONVERSION CHART

INCH	MM
.061	1.55
.094	2.4
.150	3.8
.189	4.8
.205	5.2
.366	9.3
.453	11.5

PART NO.	COLOR
C-17-0	BLACK
C-17-2	RED
C-17-3	ORANGE
C-17-4	YELLOW
C-17-5	GREEN
C-17-6	BLUE
C-17-8	GRAY
C-17-9	WHITE
C-17-12	PINK



AUGAT CONFIDENTIAL

THIS DOCUMENT CONTAINS INFORMATION WHICH IS THE EXCLUSIVE PROPERTY OF AUGAT INC. DISTRIBUTION, REPRODUCTION OR USE BY OTHERS IS NOT PERMITTED WITHOUT THE EXPRESSED WRITTEN CONSENT OF AUGAT INC.

THIS IS A C.A.D. GENERATED DRAWING. DO NOT MAKE MANUAL REVISIONS TO MASTER.

UNLESS OTHERWISE SPECIFIED DIMENSIONS ARE IN INCHES DO NOT SCALE PRINT THIRD ANGLE PROJECTION TOLERANCES (EXCEPT AS NOTED): ANGULAR $\pm 1^\circ$ DECIMAL: .XX = $\pm .01$.XXX = $\pm .002$.XXXX = $\pm .0005$

FILE NAME: 81083	DIRECTORY: STOPPER	AUGAT 482 JOHN DIETSCH BLVD. ATTLEBORO FALLS, MASS. 02763 INC.	
MATERIAL: VINYL PLASTISOL	DRAWN: TRU-D	DATE: 5/4/94	TITLE: CAP (C-17) (USED FOR TT TOGGLES)
FINISH:	CHECKED: <i>Wall</i>	DATE: 5/4/94	DWG. NO. 81083
DISTRIBUTION	APPROVED: <i>Wall</i>	DATE: 5/4/94	REV. 0
	COD. IDENT. NO. 91506	DWG. SIZE A	PRODUCT CODE: X12
NEXT ASSY:		SCALE: 5:1	SHEET 1 OF 1