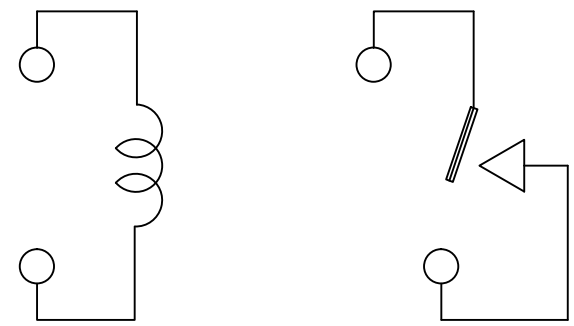
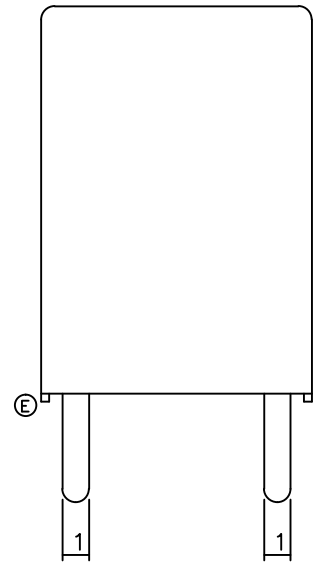
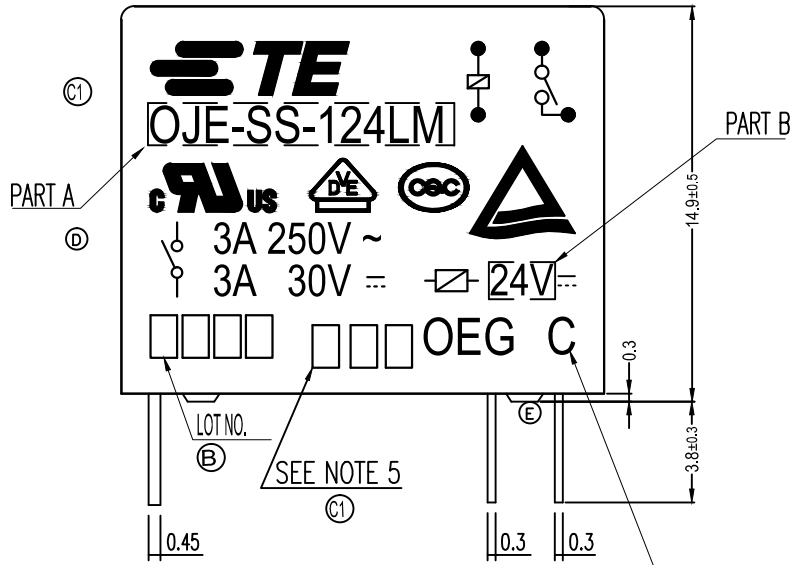


THIS DRAWING IS UNPUBLISHED. RELEASED FOR PUBLICATION

© COPYRIGHT By - TE CONNECTIVITY ALL RIGHTS RESERVED.

LOC	DIST	REVISIONS			
P	LTR	DESCRIPTION	DATE	DWN	APVD
HB	-				
E		REMOVED THE RIB ON THE BASE TO CASE ECO-15-011310	12Oct2015	HYS	CSM



CONNECTION FIGURE

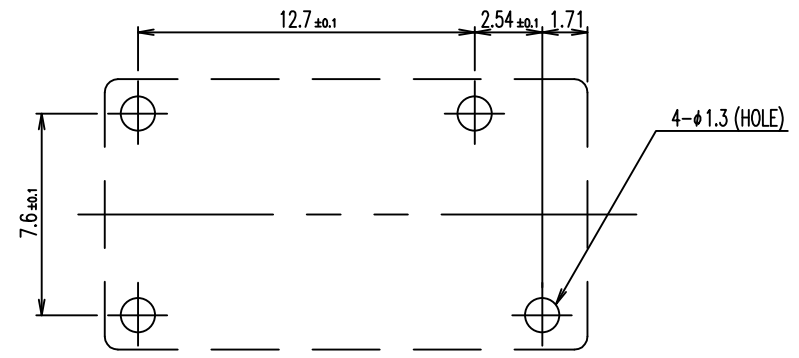


FIGURE FOR PRINTED CIRCUIT BOARD PROCESSING (BOTTOM VIEW)

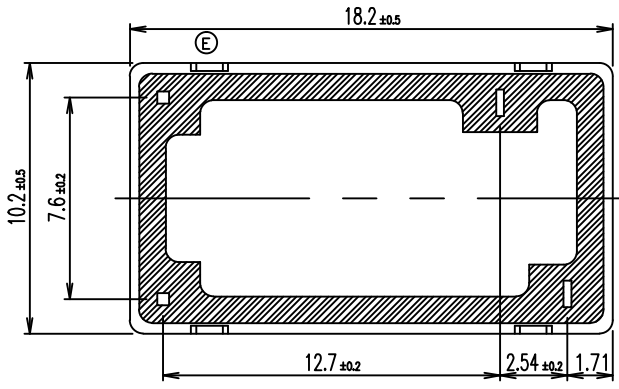


Diagram dimension	Tolerance
0.99mm max.	±0.1mm
1 - 2.99mm	±0.2mm
3mm min.	±0.3mm

THIS DRAWING IS A CONTROLLED DOCUMENT.		DWN	Fu, Bo	
DIMENSIONS: mm		CHK	XN, ZHANG	
TOLERANCES UNLESS OTHERWISE SPECIFIED:		APVD	Y, W	
0 PLC ± -		PRODUCT SPEC	-	
1 PLC ± -		APPLICATION SPEC	-	
2 PLC ± -		WEIGHT	-	
3 PLC ± -		CUSTOMER DRAWING	-	
4 PLC ± -		SIZE	A3	RESTRICTED TO
ANGLES ± -		CAGE CODE	00779	
FINISH		DRAWING NO	3-1419144-2	
MATERIAL		SCALE	5:1	SHEET 1 OF 2
		REV	E	



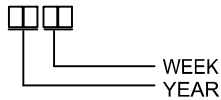
OJ-1**LM, X000 CUSTOMER DRAWING

THIS DRAWING IS UNPUBLISHED. RELEASED FOR PUBLICATION

© COPYRIGHT By - TE CONNECTIVITY ALL RIGHTS RESERVED.

LOC	DIST	REVISIONS					
HB	-	P	LTR	DESCRIPTION	DATE	DWN	APVD
		-	-	SEE SHEET 1	-	-	-

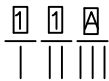
ⓑ NOTES:
1.LOT NO. SYSTEM AS FOLLOWING:



- Ⓒ 2.TERMINAL DIMENSION IS BEFORE SOLDER DIP;
- Ⓒ 3.FOR THE TIN-PLATING OF THE PINS:
+0.1mm FOR WIDTH,THICKENSS AND DIAMETER.
+0.5mm FOR LENGTH.

ⒹⒸ 4.MARKING FROM INK TO LASER&USED WELDED CONTACT.

Ⓒ 5.ADD LOT NO. SYSTEM AS FOLLOWING;



- I, DIGITS FOR DAY OF THE WEEK
1...MONDAY IN THIS WEEK;
2...TUESDAY IN THIS WEEK;
.....
7...SUNDAY IN THIS WEEK
- II, DIGITS FOR SHIFT OF THE DAY
1...DAY SHIFT IN THIS DAY;
2...NIGHT SHIFT IN THIS DAY;
- III, ONE CHARACTER DISTINGUISH THE LINE IDENTITY, SUCH AS: A,B.....Z

1419129-5	OJ-SH-124LM	24V	OJ-SH-124LM	e
3-1419129-3	OJ-SS-124LM	24V	OJ-SS-124LM	d
2-1419129-3	OJ-SS-112LM	12V	OJ-SS-112LM	c
8-1419128-3	OJ-SS-109LM	9V	OJ-SS-109LM	b
3-1419144-2	OJ-SS-105LM	5V	OJ-SS-105LM	a
TE PART NO	TE TYPE NAME	PART B	PART A	TYPE

RELAY TYPE

			UL CASE	16
		EPOXY RESIN	SEAL (BASE & BOBBIN)	15
		3UEW	MAGNETIC WIRE	14
94V-0		P.B.T	CASE	13
94V-0		P.B.T	BASE	12
94V-0		P.B.T	BOBBIN	11
	SOLDER DIP	C.P WIRE	COIL TERMINAL	10
94V-0		P.P.S	CARD	9
		Ag	MOVABLE CONTACT	8
		Ag	NO.CONTACT	7
		STEEL	HINGE SPRING	6
	SOLDER DIP	Cu ALLOY	NO.TERMINAL	5
	SOLDER DIP	Cu ALLOY	MOVABLE SPRING	4
	NIP	STEEL	CORE	3
	NIP	STEEL	ARMATURE	2
	NIP	STEEL	YOKE	1
INCOMBUSTIBILITY	TREATMENT	MATERIAL	DESCRIPTION	ITEM

THIS DRAWING IS A CONTROLLED DOCUMENT.		DWN	Fu,Bo	-
DIMENSIONS: mm		CHK	XN. ZHANG	-
TOLERANCES UNLESS OTHERWISE SPECIFIED:		APVD	Y. W	-
0 PLC ± -		PRODUCT SPEC	-	-
1 PLC ± -		APPLICATION SPEC	-	-
2 PLC ± -		WEIGHT	-	-
3 PLC ± -		CUSTOMER DRAWING		
4 PLC ± -		SCALE	5:1	SHEET 2 OF 2
ANGLES ± -		REV	E	
MATERIAL	FINISH	TE Connectivity OJ-1**LM,X000 CUSTOMER DRAWING SIZE: A3 CAGE CODE: 00779 DRAWING NO: 3-1419144-2 RESTRICTED TO: - SCALE: 5:1 SHEET: 2 OF 2 REV: E		