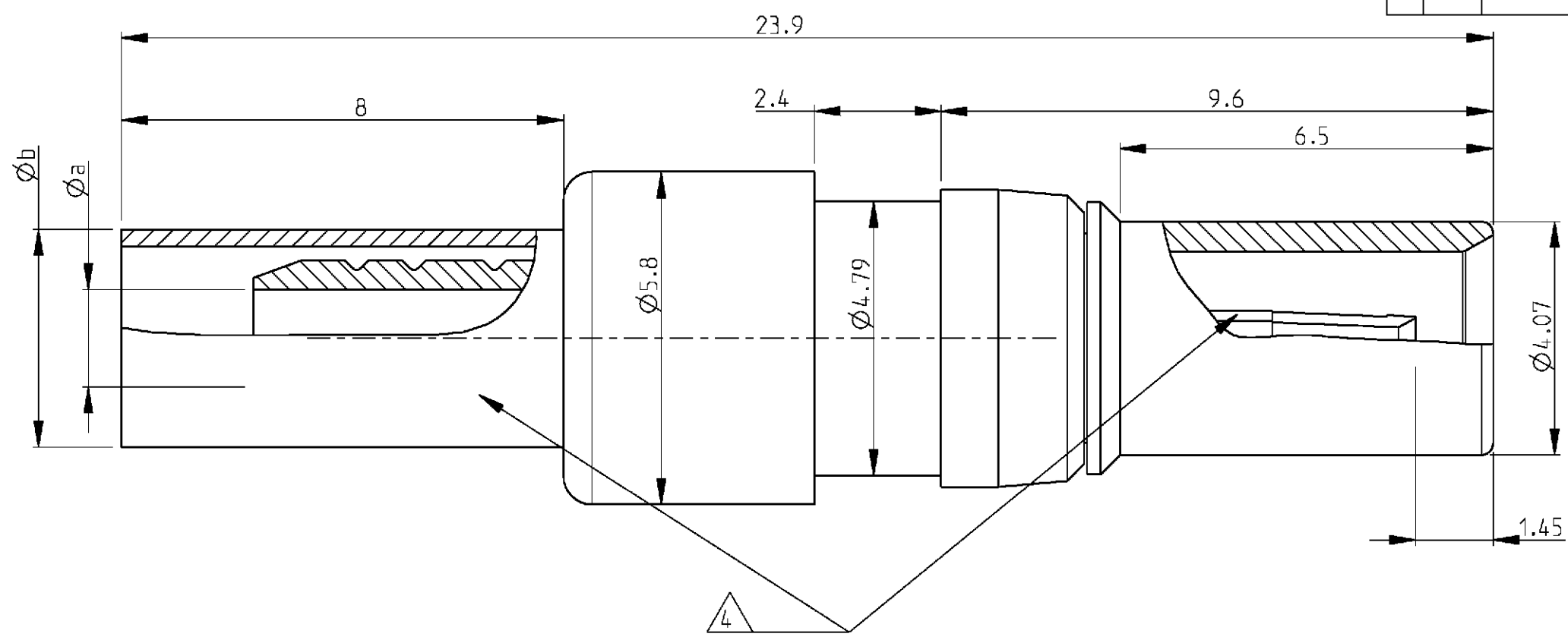


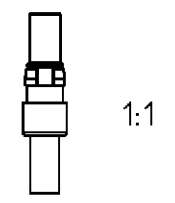
THIS DRAWING IS UNPUBLISHED. RELEASED FOR PUBLICATION 2000
 © COPYRIGHT 2000 BY TYCO ELECTRONICS CORPORATION. ALL RIGHTS RESERVED.

LOC	DIST	REVISIONS			
P	LTR	DESCRIPTION	DATE	DWN	APVD
GW	-	A1	SR10-0146-01	09APR2001	CM KM



- 4. Supplied as loose part
 - 3. Application : DIN 41612 Type M
 - 2. Mating face according to DIN 41626 Part
 - 1. Minimum dimension
- All dimensions are max dimensions unless otherwise specified

V23615-B602-E57	3-1393668-4	RG 179 L910/22	1.7	3.85	Dielectric	PTFE	
					Outer Con.	Brass	1µm Au min in contact area
					Center Con.	Cu Be	1µm Au min in contact area
Old Nr	Tyco Nr	Cable Type	Dim a	Dim b	Description	Material	Plating



<small>THIS DRAWING IS A CONTROLLED DOCUMENT FOR TYCO ELECTRONICS CORPORATION IT IS SUBJECT TO CHANGE AND THE CONTROLLING ENGINEERING ORGANIZATION SHOULD BE CONTACTED FOR THE LATEST REVISION.</small>		DWN MOROBE 04 APR 2001 CHK MATTHEEUS 9 APR 2001 APVD BOZZER 9 APR 2001	tyco Electronics Tyco Electronics Oostkamp - Belgium
DIMENSIONS: mm	TOLERANCES UNLESS OTHERWISE SPECIFIED: 0 PLC ± 1 PLC ±0.5 2 PLC ±0.13 3 PLC ±0.013 4 PLC ±0.0001 ANGLES ±	PRODUCT SPEC 108-71032 APPLICATION SPEC 114-71015	NAME BULKHEAD JACK WITH CABLE CONNECTION 1.0/2.3 INSERT 75 Ohm
MATERIAL -	FINISH -	WEIGHT -	SIZE A3 CAGE CODE 00779 DRAWING NO C-3-1393668-4 RESTRICTED TO -
		SCALE 10/1	SHEET 1 OF 1 REV A1