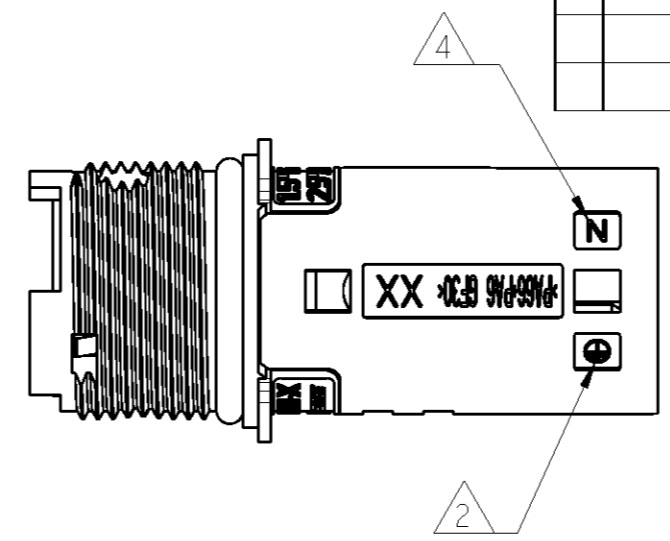
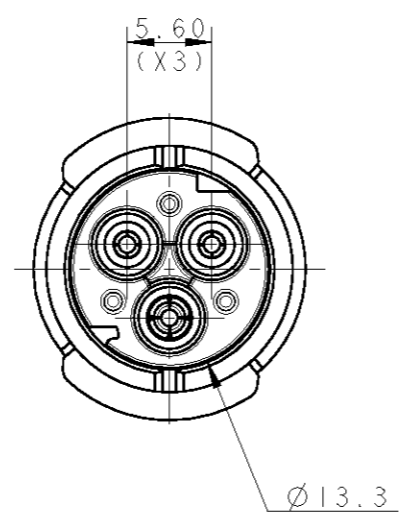
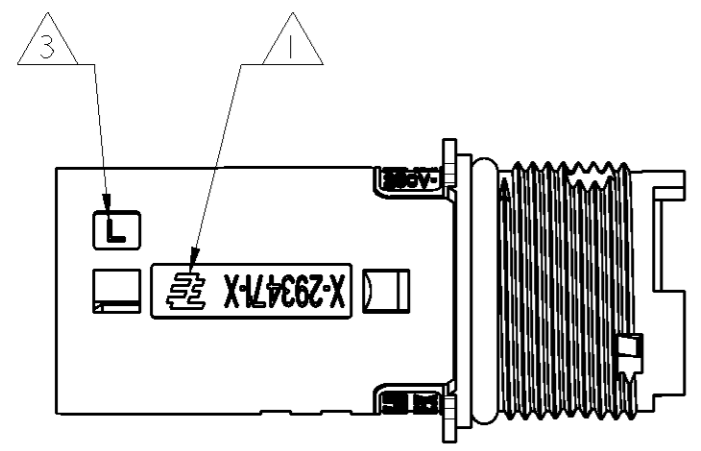
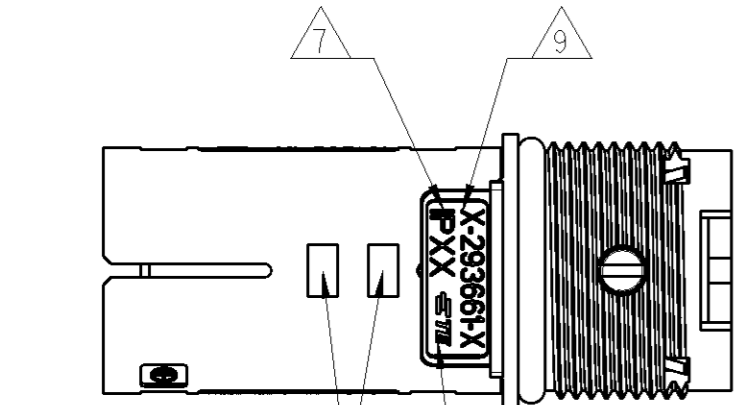


THIS DRAWING IS UNPUBLISHED. RELEASED FOR PUBLICATION 2011
 © COPYRIGHT 2011 Tyco Electronics AMP GmbH ALL RIGHTS RESERVED.

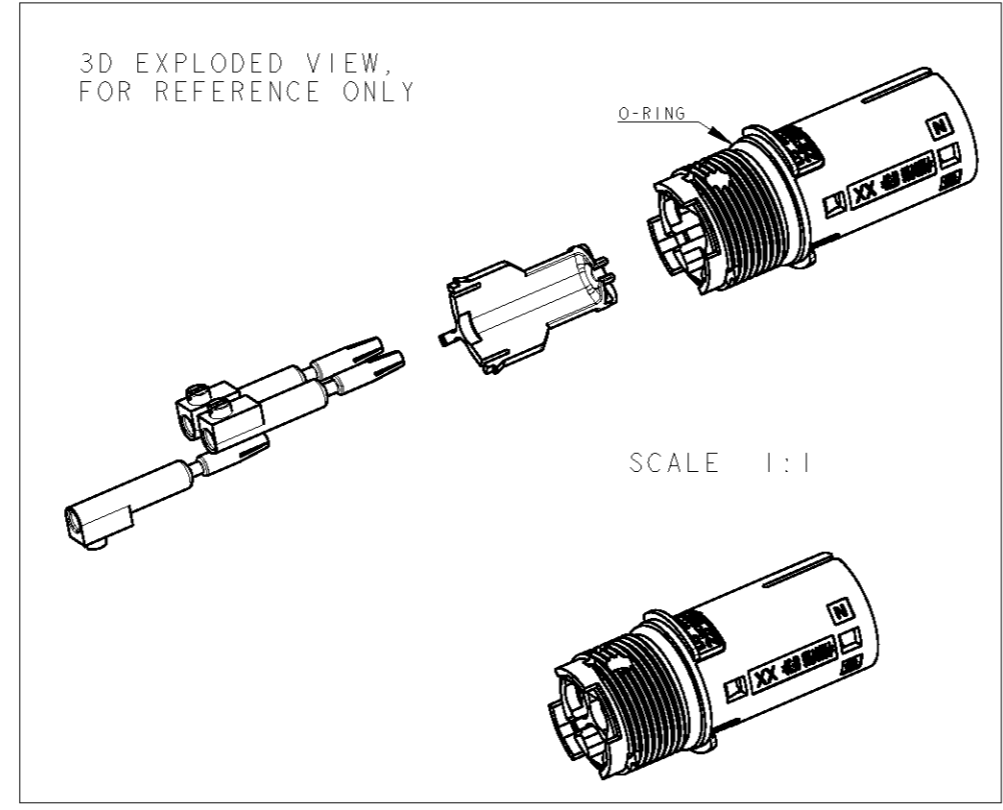
LOC	DIST	REVISIONS			
P	LTR	DESCRIPTION	DATE	DWN	APVD
1	-	GEOMETRY UPDATED	27JUN2011	MZ	GT



- NOTES:
- 1 TE LOGO
 - 2 PE CODE
 - 3 L CODE
 - 4 N CODE
 - 5 RATED CURRENT
 - 6 RATED VOLTAGE
 - 7 IP CODE
 - 8 CONDUCTOR SIZE
 - 9 TE PART NUMBER

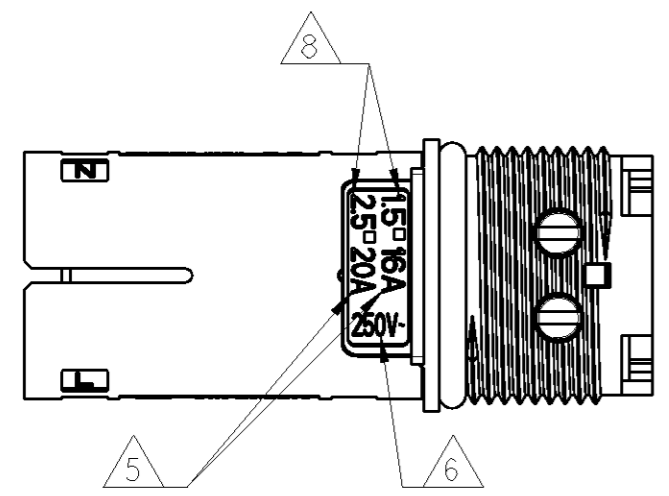


VISUAL INDICATOR FOR PE CIRCUIT

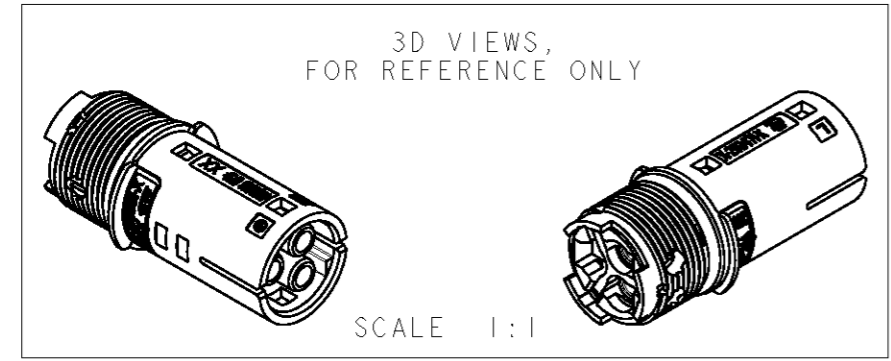


PRELIMINARY

NOT YET RELEASED FOR PRODUCTION



COLOUR	DESCRIPTION	POL. KEYS	REV.	PART NUMBER
BLACK	SKT HSG ASS'Y FIELD INSTALL. NECTOR* M-LINE	F	1	293801-6
BLACK	SKT HSG ASS'Y FIELD INSTALL. NECTOR* M-LINE	E	1	293801-5
BLACK	SKT HSG ASS'Y FIELD INSTALL. NECTOR* M-LINE	D	1	293801-4
BLACK	SKT HSG ASS'Y FIELD INSTALL. NECTOR* M-LINE	C	1	293801-3
BLACK	SKT HSG ASS'Y FIELD INSTALL. NECTOR* M-LINE	B	1	293801-2
BLACK	SKT HSG ASS'Y FIELD INSTALL. NECTOR* M-LINE	A	1	293801-1



THIS DRAWING IS A CONTROLLED DOCUMENT.

DIMENSIONS:	TOLERANCES UNLESS OTHERWISE SPECIFIED:
mm	0 PLC ±-
	1 PLC ±0.3
	2 PLC ±0.20
	3 PLC ±-
	4 PLC ±-
	ANGLES ±3°
MATERIAL	FINISH
-	-

DWN M. ZUCCA 27OCT2009
 CHK M. ZUCCA 27OCT2009
 APVD G. TURCO 27OCT2009
 PRODUCT SPEC -
 APPLICATION SPEC -
 WEIGHT -
 CUSTOMER DRAWING

STE TE Connectivity

NAME: SOCKET HOUSING ASSEMBLY SEALED FIELD INSTALLABLE VERSION NECTOR* M-LINE 3 POSITIONS

SIZE	CAGE CODE	DRAWING NO	RESTRICTED TO
A3	00779	C-293801	-

SCALE 2:1 SHEET 1 OF 2 REV 1

THIS DRAWING IS UNPUBLISHED.

RELEASED FOR PUBLICATION

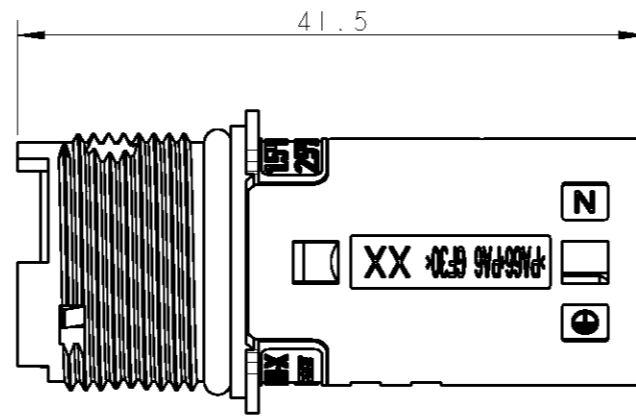
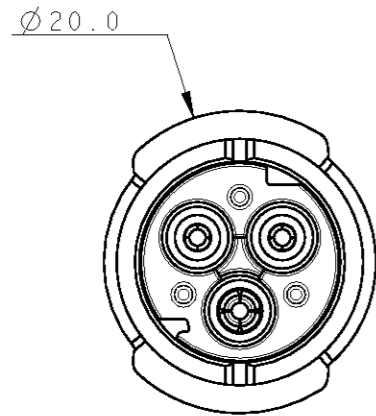
2011

© COPYRIGHT 2011

Tyco Electronics AMP GmbH

ALL RIGHTS RESERVED.

LOC	DIST	REVISIONS			
P	LTR	DESCRIPTION	DATE	DWN	APVD
	-	SEE SHEET 1	-	-	-



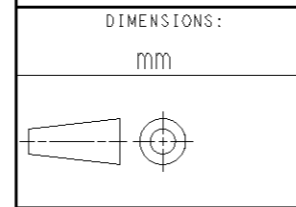
PRELIMINARY

NOT YET RELEASED FOR PRODUCTION

POLARIZATION KEYS

TYPE "A"	TYPE "B"	TYPE "C"	TYPE "D"	TYPE "E"	TYPE "F"
P/N 293801-1	P/N 293801-2	P/N 293801-3	P/N 293801-4	P/N 293801-5	P/N 293801-6

THIS DRAWING IS A CONTROLLED DOCUMENT.



DIMENSIONS:	TOLERANCES UNLESS OTHERWISE SPECIFIED:
mm	
0 PLC	±-
1 PLC	±0.3
2 PLC	±0.20
3 PLC	±-
4 PLC	±-
ANGLES	±3°

MATERIAL -

FINISH -

DWN	M. ZUCCA	27OCT2009
CHK	M. ZUCCA	27OCT2009
APVD	G. TURCO	27OCT2009

PRODUCT SPEC	-
APPLICATION SPEC	-
WEIGHT	-



NAME
**SOCKET HOUSING ASSEMBLY SEALED
 FIELD INSTALLABLE VERSION
 NECTOR* M-LINE 3 POSITIONS**

SIZE	CAGE CODE	DRAWING NO	RESTRICTED TO
A3	00779	C=293801	-

CUSTOMER DRAWING SCALE 2:1 SHEET 2 OF 2 REV 1