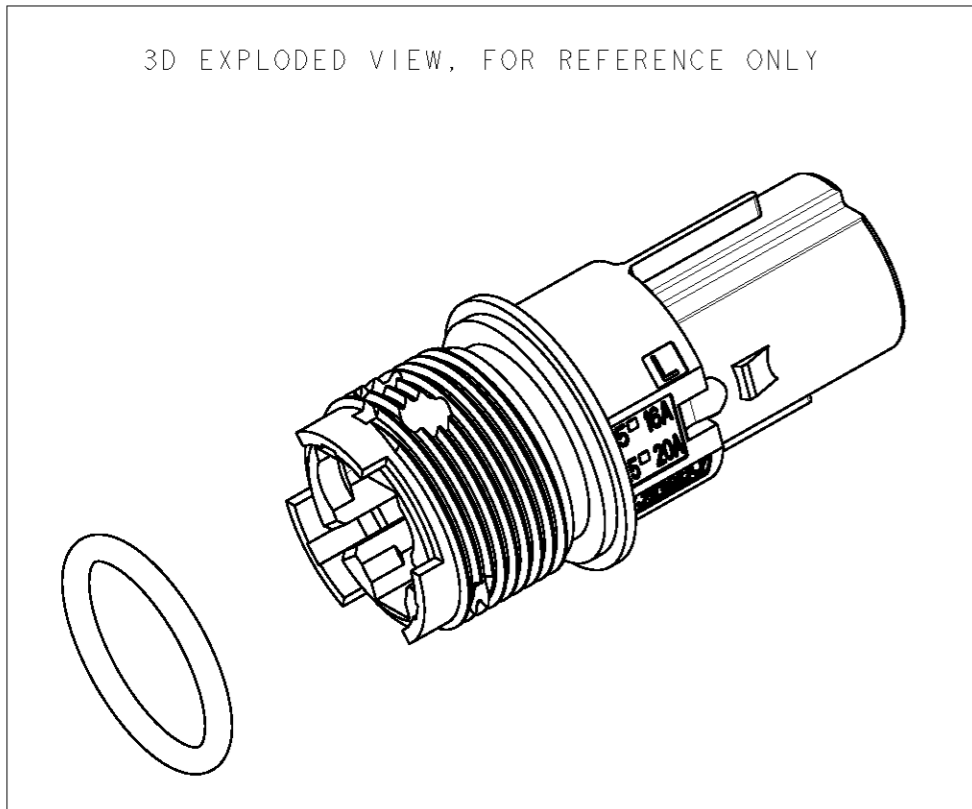
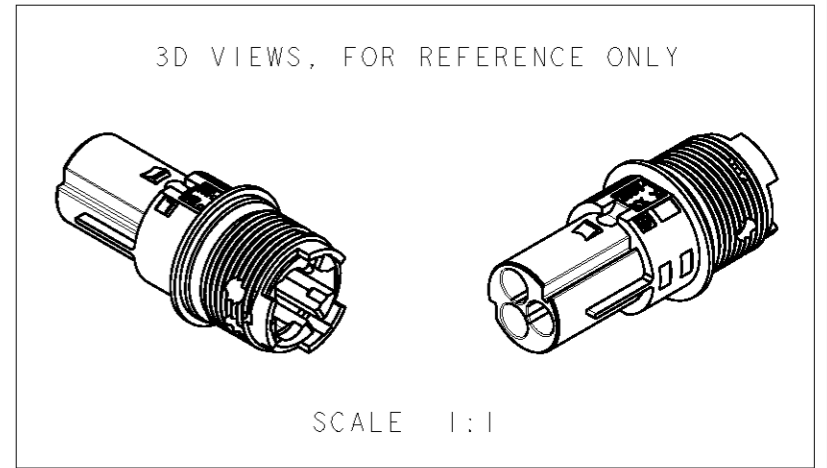


LOC	DIST	REVISIONS			
P	LTR	DESCRIPTION	DATE	DWN	APVD
		FIRST EMISSION	19SEP2011	MZ	GT

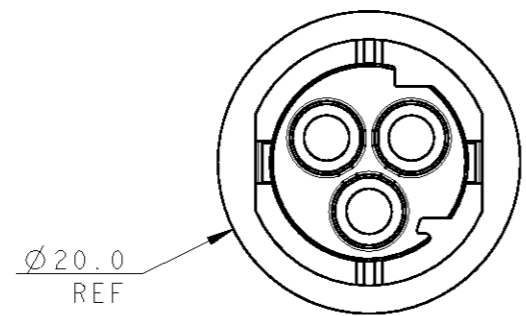
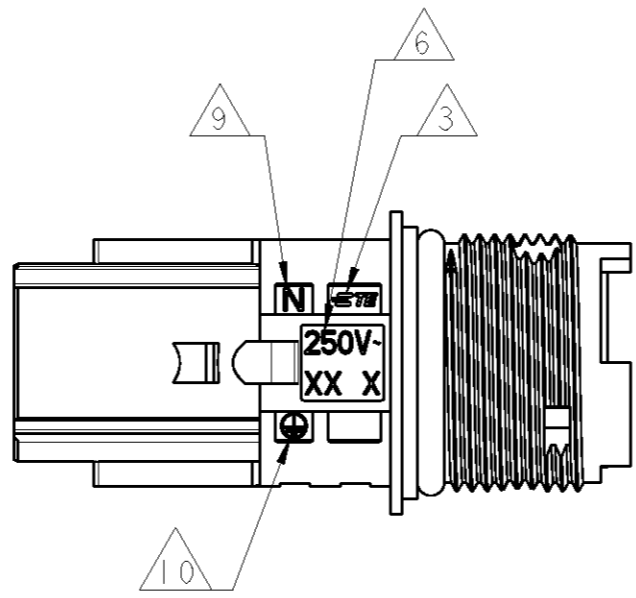
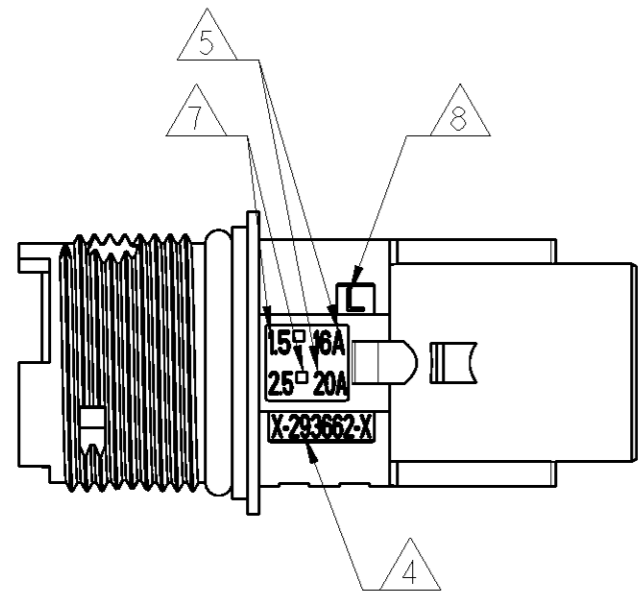


- NOTES:
- 1) PACKAGING: SEE TE PACKAGING SPEC. T.B.D.
 - 2) COLOUR: BLACK FOR PLASTIC COMPONENT
- △ 3 TE LOGO
 - △ 4 TE PART NUMBER
 - △ 5 RATED CURRENT
 - △ 6 RATED VOLTAGE
 - △ 7 CONDUCTOR SIZE
 - △ 8 L CODE
 - △ 9 N CODE
 - △ 10 PE CODE

PRELIMINARY



POLARIZATION KEYS	DESCRIPTION	PART NUMBER	ITEM
F	PIN HOUSING ASS'Y CRIMP SEALED VERS. NECTOR* M-LINE	293796-6	1
E	PIN HOUSING ASS'Y CRIMP SEALED VERS. NECTOR* M-LINE	293796-5	1
D	PIN HOUSING ASS'Y CRIMP SEALED VERS. NECTOR* M-LINE	293796-4	1
C	PIN HOUSING ASS'Y CRIMP SEALED VERS. NECTOR* M-LINE	293796-3	1
B	PIN HOUSING ASS'Y CRIMP SEALED VERS. NECTOR* M-LINE	293796-2	1
A	PIN HOUSING ASS'Y CRIMP SEALED VERS. NECTOR* M-LINE	293796-1	1



THIS DRAWING IS A CONTROLLED DOCUMENT.

DIMENSIONS: mm	TOLERANCES UNLESS OTHERWISE SPECIFIED:	DWN M. ZUCCA 19SEP2011	TE Connectivity NAME PIN HOUSING ASSEMBLY CRIMP SEALED VERSION NECTOR* M-LINE 3 POSITIONS CONNECTOR
	0 PLC ±-	CHK M. ZUCCA 19SEP2011	
	1 PLC ±0.3	APVD G. TURCO 19SEP2011	
	2 PLC ±0.20	PRODUCT SPEC -	
	3 PLC ±-	APPLICATION SPEC -	SIZE A300779 CAGE CODE C-293796 DRAWING NO RESTRICTED TO
	4 PLC ±-	WEIGHT -	SCALE 2:1 SHEET 1 OF 2 REV 1
	ANGLES ±3°	CUSTOMER DRAWING	
MATERIAL -	FINISH -		

THIS DRAWING IS UNPUBLISHED.

RELEASED FOR PUBLICATION

2011

LOC

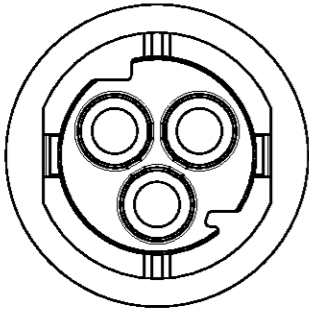
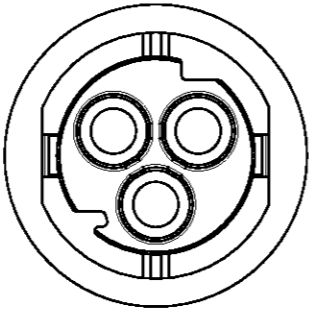
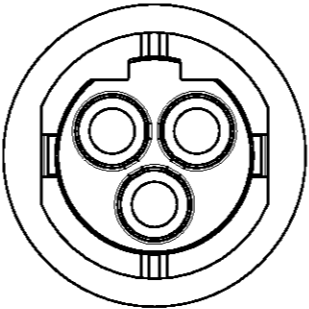
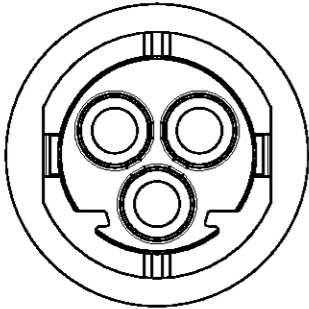
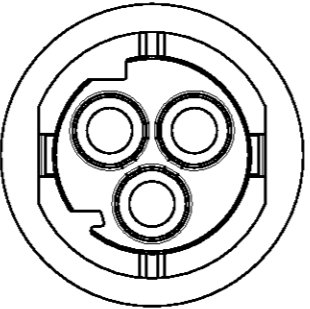
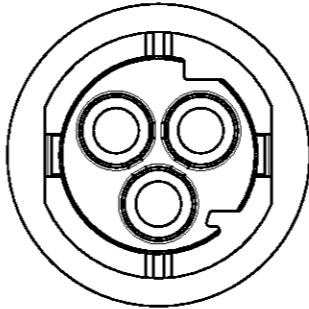
DIST

REVISIONS


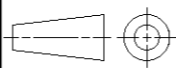
© COPYRIGHT 2011 Tyco Electronics AMP GmbH

ALL RIGHTS RESERVED.

P	LTR	DESCRIPTION	DATE	DWN	APVD
-		SEE SHEET 1	-	-	-

TYPE "A"	TYPE "B"	TYPE "C"
		
P/N 293796-1	P/N 293796-2	P/N 293796-3
TYPE "D"	TYPE "E"	TYPE "F"
		
P/N 293796-4	P/N 293796-5	P/N 293796-6

PRELIMINARY

THIS DRAWING IS A CONTROLLED DOCUMENT.		DWN M. ZUCCA 19SEP2011	 TE Connectivity	
DIMENSIONS: mm		CHK M. ZUCCA 19SEP2011		
		APVD G. TURCO 19SEP2011		
TOLERANCES UNLESS OTHERWISE SPECIFIED:		PRODUCT SPEC	NAME PIN HOUSING ASSEMBLY CRIMP SEALED VERSION NECTOR* M-LINE 3 POSITIONS CONNECTOR	
0 PLC ±-		APPLICATION SPEC	SIZE	RESTRICTED TO
1 PLC ±0.3		WEIGHT	A300779	
2 PLC ±0.20		CUSTOMER DRAWING	CAGE CODE	
3 PLC ±-		SCALE 2:1	DRAWING NO	
4 PLC ±-		SCALE 2:1	C=293796	
ANGLES ±3°		SCALE 2:1	SHEET 2 OF 2	
MATERIAL	FINISH	SCALE 2:1	REV 1	
-	-			