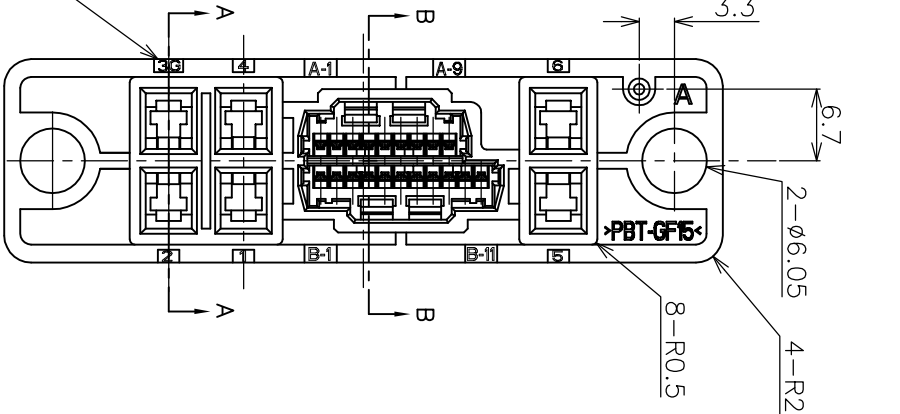
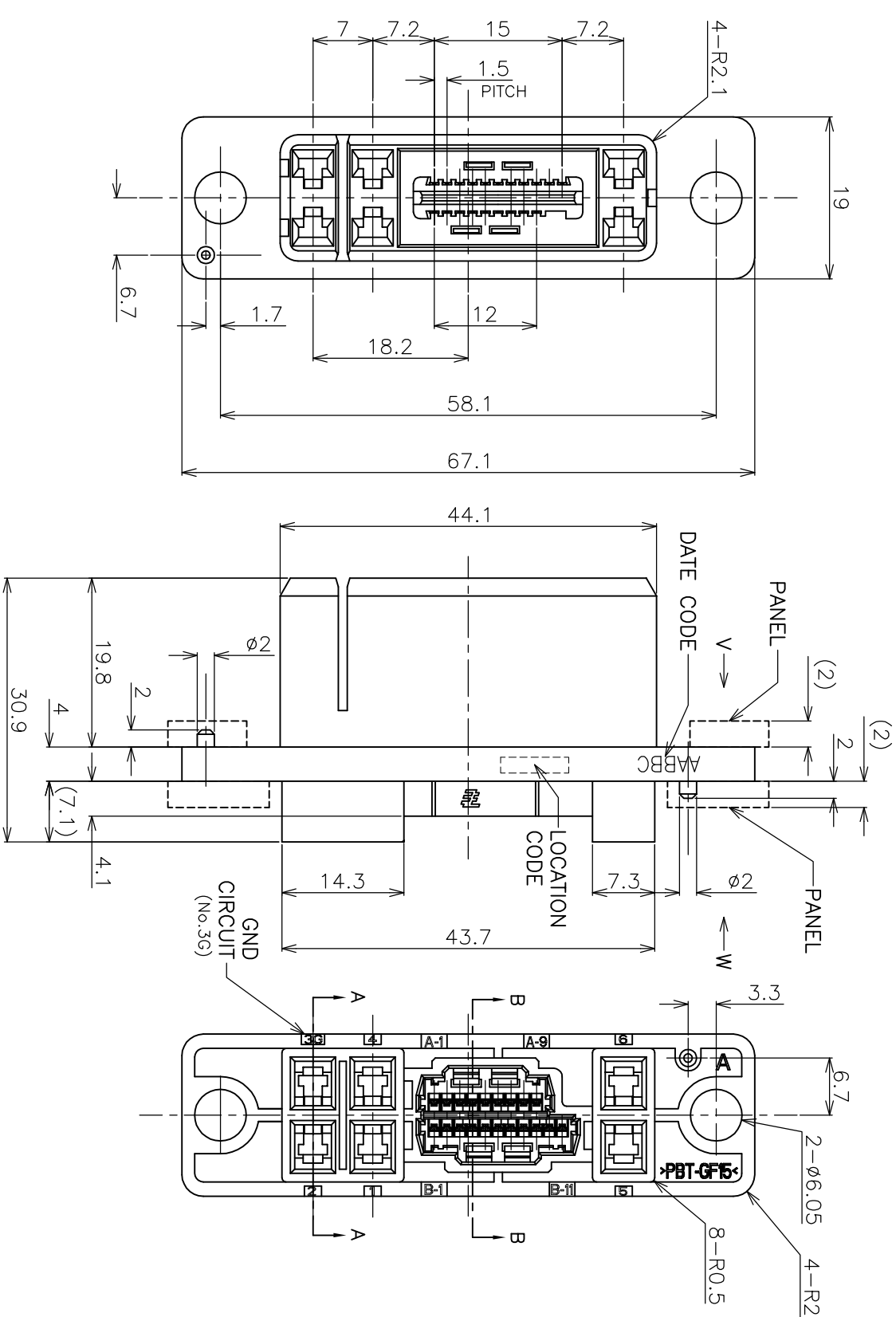


LOC	DIST	REVISIONS	DATE	DWN	APVD
ES	00				
P	LTR	DESCRIPTION			
B	RELEASED	ECR-10-010197	23JUN11	T.Q	S.Y



PANEL CUT DIMENSIONS
(CONNECTOR MATING SIDE)

NOTE:
 ① USE WITHMT REC. CONN. P/N: X-353293-X
 CRIMP HSG P/N: X-353908-X
 CRIMP CNT P/N: 353907-1
 353918-1(L/P)

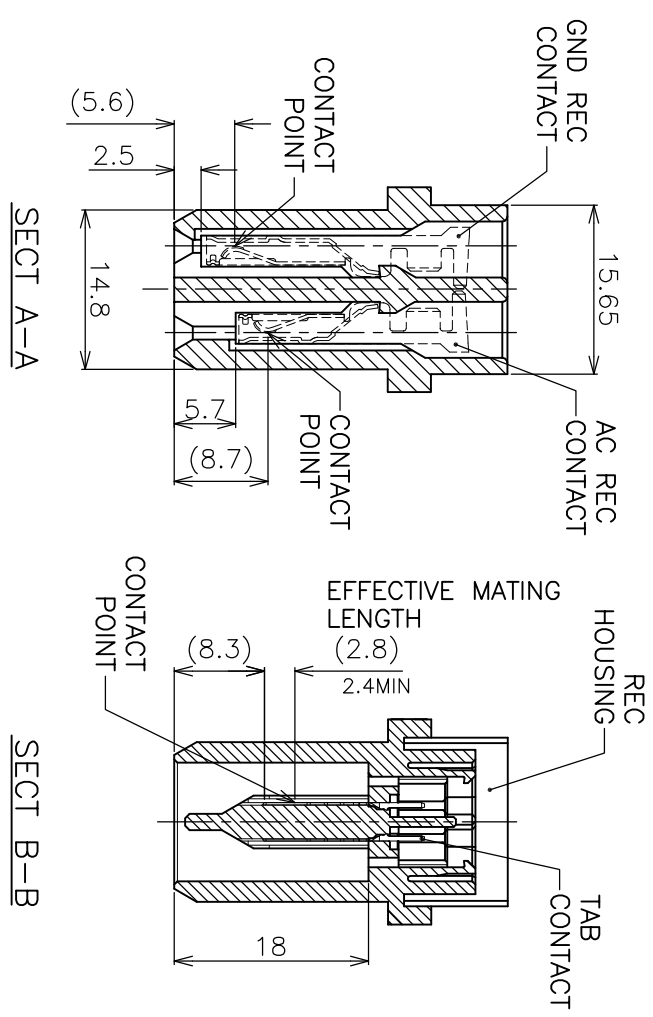
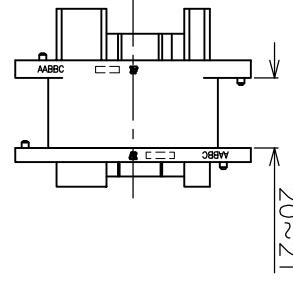
2. APPLICABLE POWER AND GND CONTACT P/N

FINISH	AWG	POWER STRIP	GND STRIP
GOLD PL. &	#16-20	0-179316-4	0-316458-4
TIN PL.	#20-24	0-179317-4	-
	#16-20	1-179316-2	1-316458-2
ALL TIN PL.	#20-24	1-179317-2	-

- △ MATERIAL:
 HOUSING : PBT G.F. U94V-0 COLOR:BLACK
 SIGNAL CONTACT : BRASS
- △ CONTACT FINISH:
 DRAWER CONTACT AREA : NICKEL PL. ALL OVER GOLD PL.
 POST AREA : NICKEL PL. ALL OVER TIN PL.
- △ P : NUMBER OF POWER CONTACT (UNASSEMBLED)
- △ S : NUMBER OF SIGNAL CONTACT (ASSEMBLED)
- 6. COUNTER MATING CONNECTOR P/N : 2-292376-0
- △ GENERAL TOLERANCE
 10>= : ±0.2
 30> : >10: ±0.25
 100> : >30: ±0.3
 ANGLES: ±3°

POS.	P/N
6-20	2-292377-0
△ (P-S)	

DIMENSION BETWEEN PANELS



STE TE Connectivity

RECEPTACLE ASSEMBLY
 MINI CT HYBRID DRAWER CONNECTOR
 AC6DC20 TYPE

THIS DRAWING IS A CONTROLLED DOCUMENT.		DIMENSIONS:		TOLERANCES UNLESS OTHERWISE SPECIFIED:		FINISH	
DWN	Julyee Zhu	mm		0 PLC	±	0	±
CHK	Steven Yoo			1 PLC	±	1	±
APVD	Ikuo Enomoto			2 PLC	±	2	±
PRODUCT SPEC	108-5882			3 PLC	±	3	±
APPLICATION SPEC				4 PLC	±	4	±
WEIGHT	19.3g			ANGLES	±		±
CUSTOMER DRAWING							