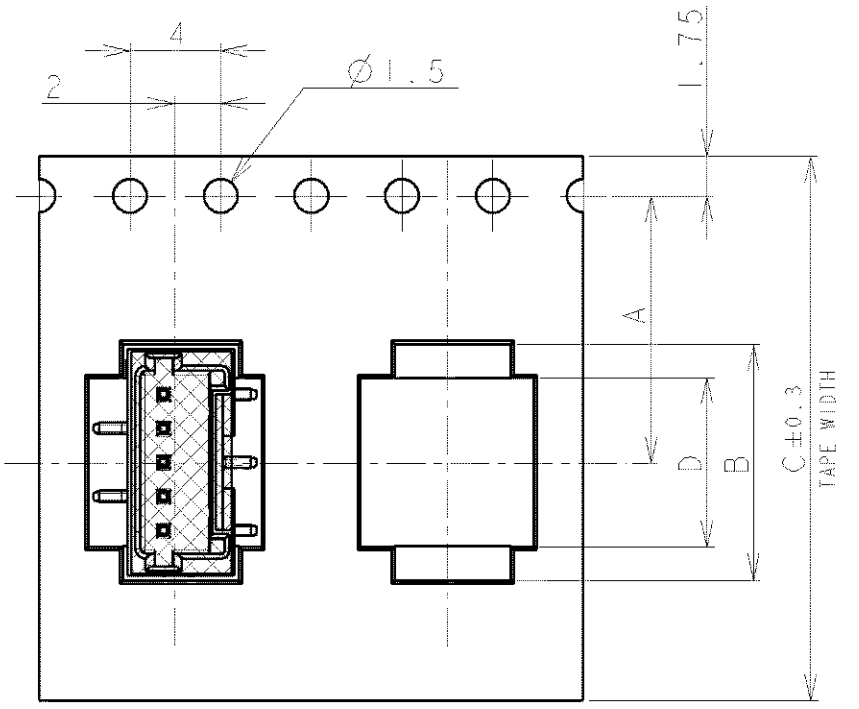


THIS DRAWING IS UNPUBLISHED.

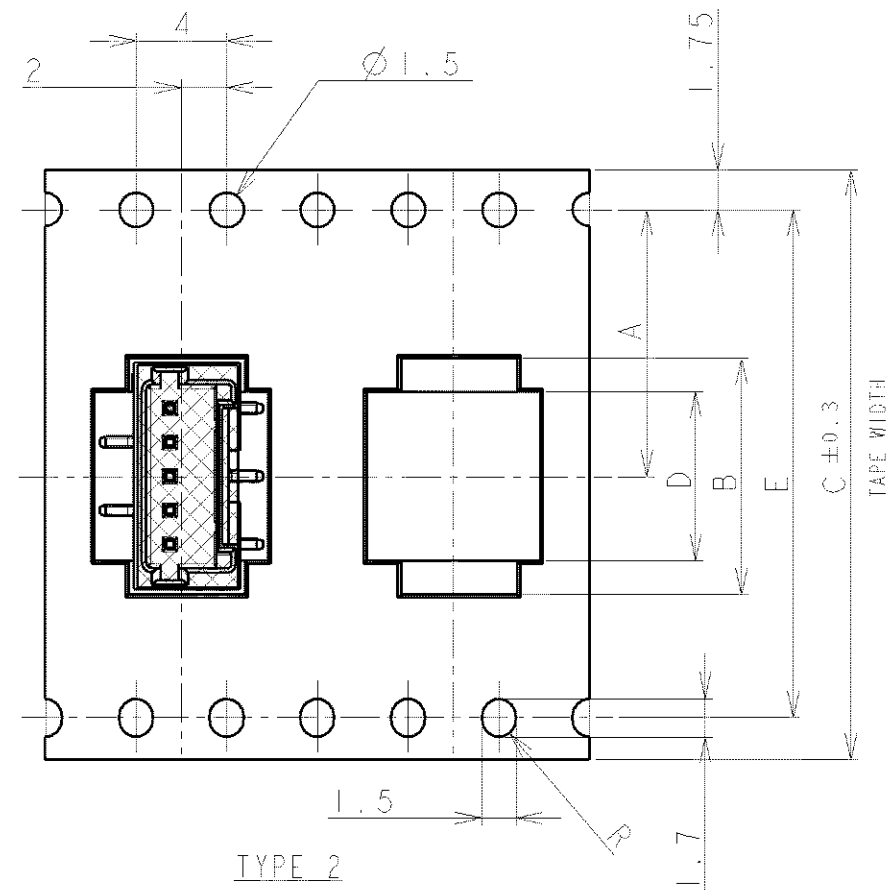
RELEASED FOR PUBLICATION

© COPYRIGHT BY ALL RIGHTS RESERVED

LOC	DIS1	REVISIONS			
P	LR	DESCRIPTION	DATE	DWN	APVD
FB	00				
	A2	REVISED PER	ECR-16-012124	07DEC16	T.Q W.H

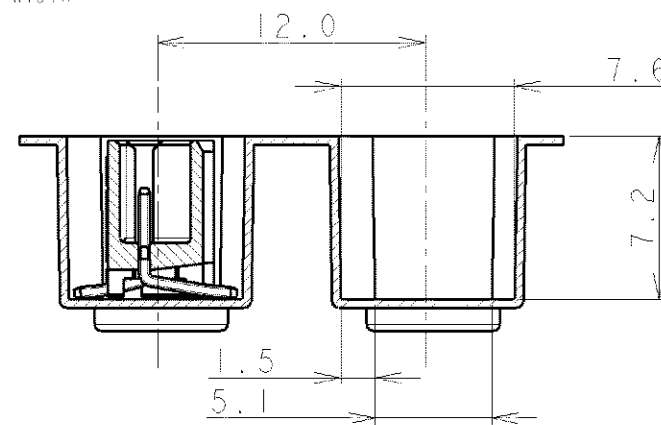
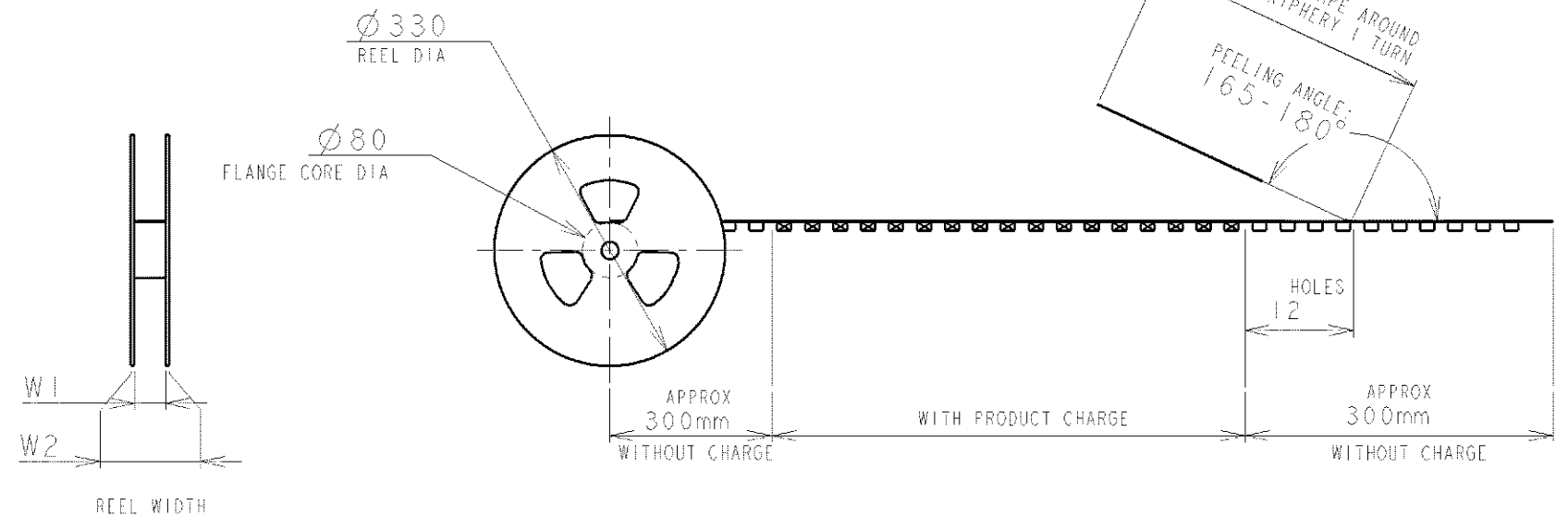
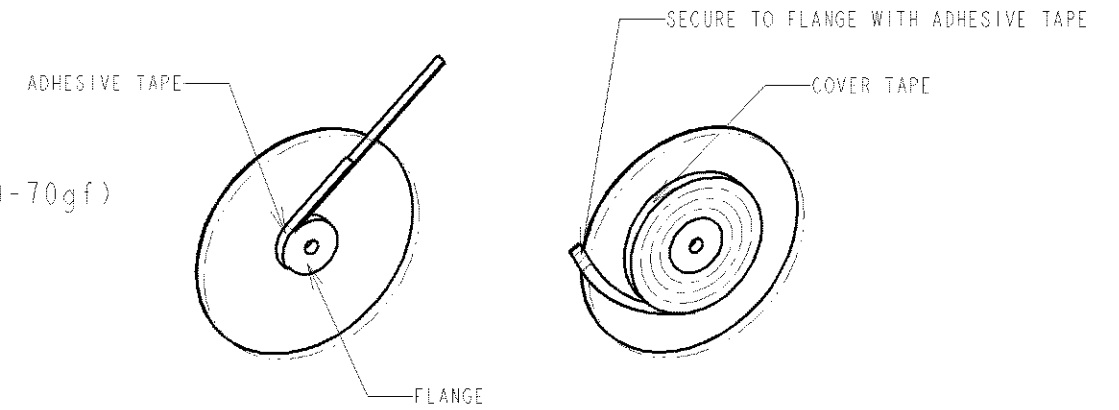


TYPE 1



TYPE 2

NOTE:
 1. PEELING STRENGTH: 0.20-0.69N (20-70gf)
 PEELING ANGLE: 165-180°
 PEELING SPEED: 300mm/MINUTE.



OFF TOP OF REEL

TOLERANCES UNLESS OTHERWISE SPECIFIED:

- 10 > : ±0.2
- 30 > * > 10 : ±0.25
- 100 > * > 30 : ±0.3
- ANGLE : ±3°

DIMENSIONS: mm	TOLERANCES UNLESS OTHERWISE SPECIFIED: 0 PLC ± 1 PLC ± 2 PLC ± 3 PLC ± 4 PLC ± ANGLES ±	DWN S.XU 31JAN03	STE TE Connectivity		
		CHK S.YAO 31JAN03			
MATERIAL	FINISH	APVD T.SASAKI 31JAN03	NAME AMP Mini Common Terminated (CT) Connector 1.5mm PITCH		
		PRODUCT SPEC 108-60018	SINGLE ROW POST HDR ASS'Y (V) SMT TYPE		
APPLICATION SPEC 114-5223		SIZE A3	CAGE CODE 00779	DRAWING NO C-292232	RESTRICTED TO
CUSTOMER DRAWING		SCALE NON		SHEET 1 OF 4	REV A2

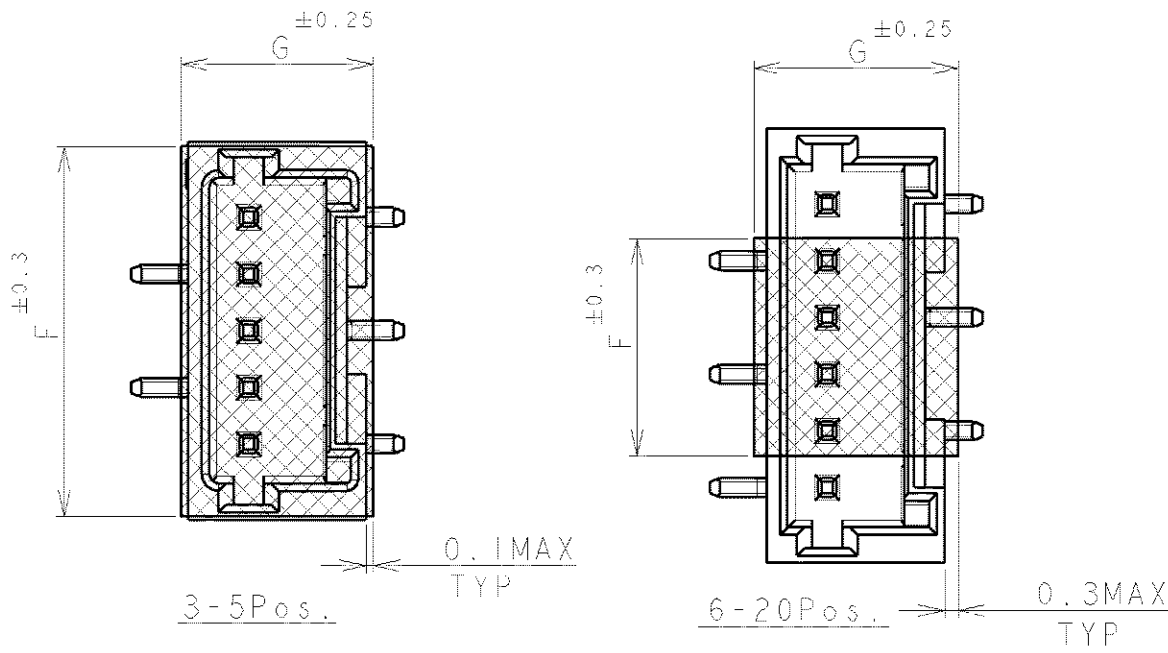
THIS DRAWING IS UNPUBLISHED.

ALL RIGHTS RESERVED.

BY

© COPYRIGHT

LOC FB	DIST 00	REVISIONS			DATE	DWN	APVD
		P	LTR	DESCRIPTION			
SEE SHEET 1							



TYPE	DIMENSIONS								A	QTY/REEL	POS	COLOR	ON TAPE P/N	
	W2	W1	G	F	E	D	C	B						
TYPE 2	49.5	45.5	5.0	9.5	40.4	29.9	44	32.9	20.2±0.15	500	20	BEIGE	2-292232-0	
	49.5	45.5	5.0	9.5	40.4	28.4	44	31.4		500	19		1-292232-9	
	49.5	45.5	5.0	9.5	40.4	26.9	44	29.9		500	18		1-292232-8	
	49.5	45.5	5.0	9.5	40.4	25.4	44	28.4		500	17		1-292232-7	
	49.5	45.5	5.0	9.5	40.4	23.9	44	26.9		500	16		1-292232-6	
	49.5	45.5	5.0	9.5	40.4	22.4	44	25.4		500	15		1-292232-5	
	49.5	45.5	5.0	9.5	40.4	20.9	44	23.9		500	14		1-292232-4	
	49.5	45.5	5.0	9.5	40.4	19.4	44	22.4		500	13		1-292232-3	
	37.5	33.5	5.0	9.5	28.4	17.9	32	20.9		14.2	500		12	1-292232-2
	37.5	33.5	5.0	9.5	28.4	16.4	32	19.4		14.2	500		11	1-292232-1
TYPE 1	37.5	33.5	5.0	9.5	28.4	14.9	32	17.9	14.2	500	10	1-292232-0		
	37.5	33.5	5.0	6.5	28.4	13.4	32	16.4	14.2	500	9	292232-9		
	29.5	25.5	5.0	6.5	-	11.9	24	14.9	11.5	500	8	292232-8		
	29.5	25.5	5.0	6.5	-	10.4	24	13.4	11.5	500	7	292232-7		
	29.5	25.5	5.0	6.5	-	8.9	24	11.9	11.5	500	6	292232-6		
	29.5	25.5	5.0	9.5	-	7.4	24	10.4	11.5	500	5	292232-5		
TAPE TYPE	21.5	17.5	5.0	8.0	-	5.9	16	8.9	7.5	500	4	292232-4		
	21.5	17.5	5.0	6.5	-	4.4	16	7.4	7.5	500	3	292232-3		

THIS DRAWING IS UNPUBLISHED.

BY

© COPYRIGHT

DIMENSIONS: mm

TOLERANCES UNLESS OTHERWISE SPECIFIED:

0 PLC ±

1 PLC ±

2 PLC ±

3 PLC ±

4 PLC ±

ANGLES ±

DWN

CHK

APVD

PRODUCT SPEC
SEE SHEET 1

APPLICATION SPEC
SEE SHEET 1

WEIGHT

CUSTOMER DRAWING

MATERIAL

FINISH

TE Connectivity

NAME AMP Mini Common Terminated (CT) Connector 1.5mm PITCH
SINGLE ROW POST HDR ASS'Y (V) SMT TYPE
WITH POLYIMIDE TAPE, WITH BOSS, EMBOSS TAPE PACKAGED

SIZE A4 CAGE CODE 00779 DRAWING NO G-292232 RESTRICTED TO

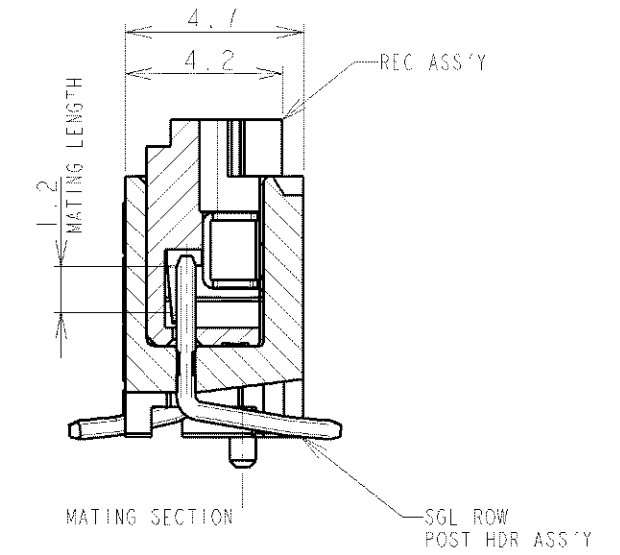
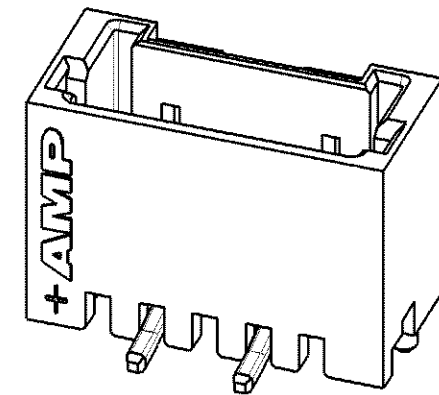
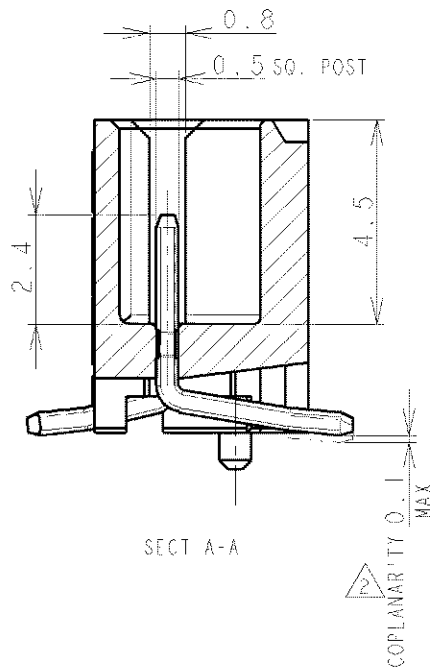
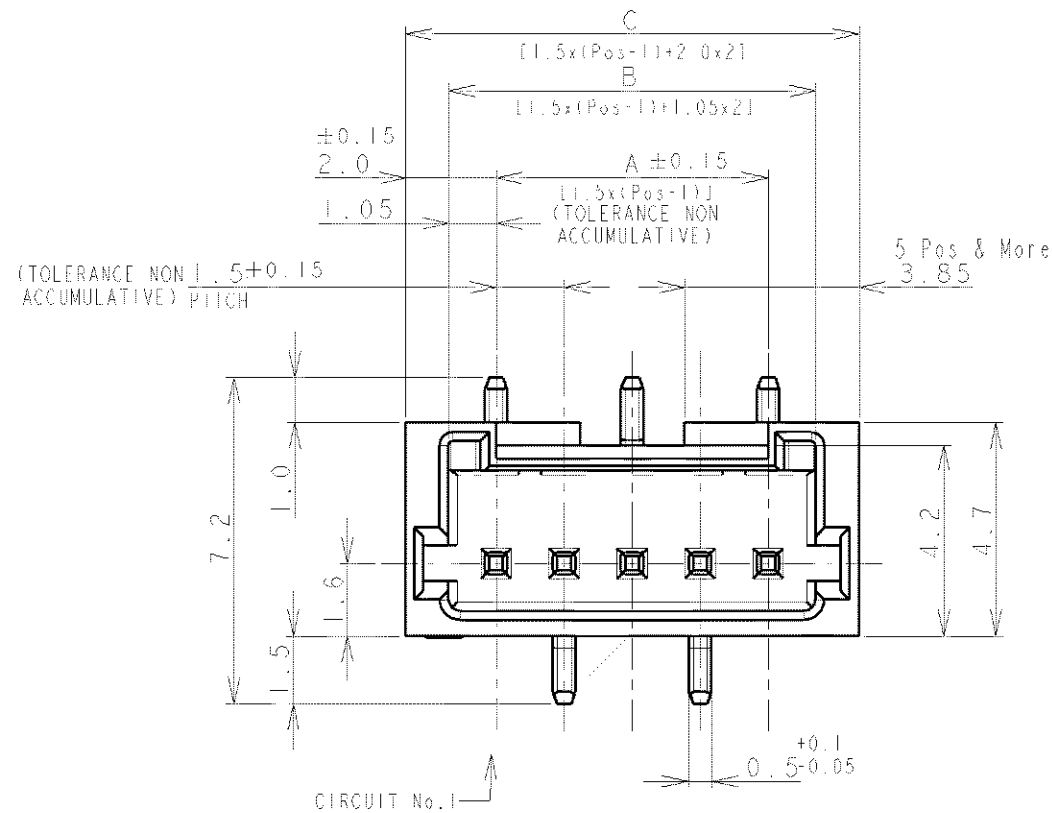
SCALE NON SHEET 2 OF 4 REV A2

THIS DRAWING IS UNPUBLISHED

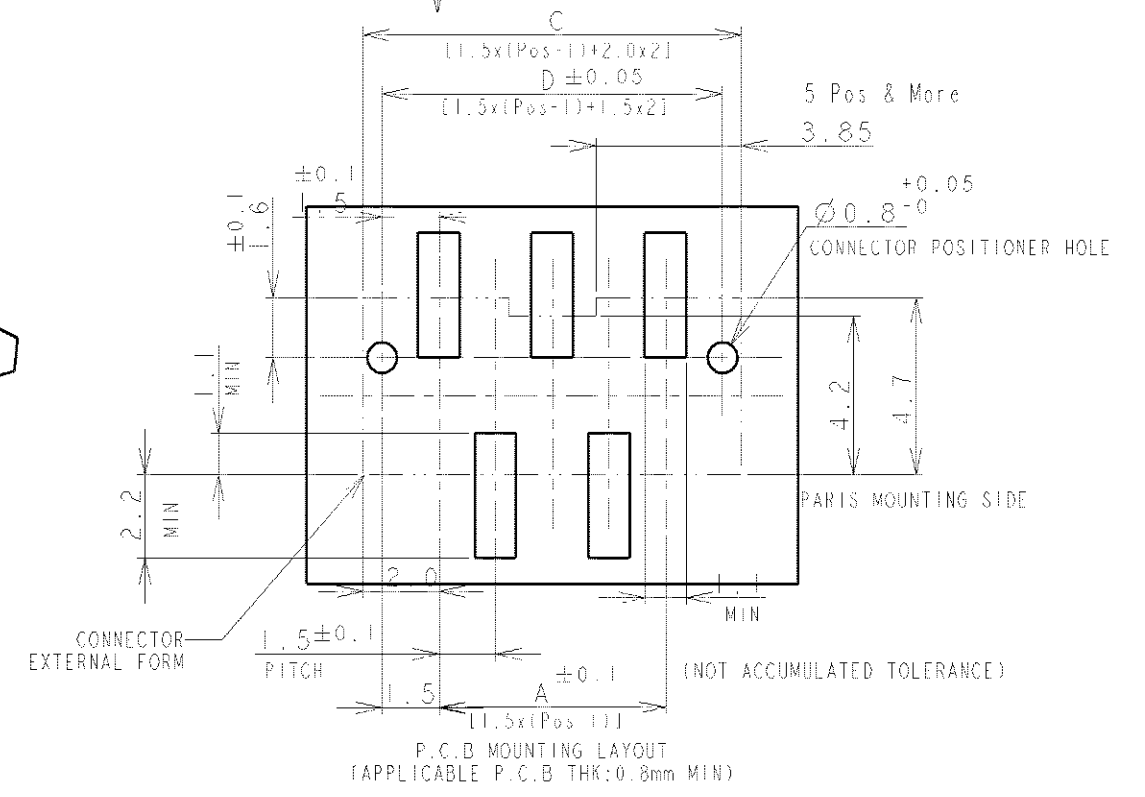
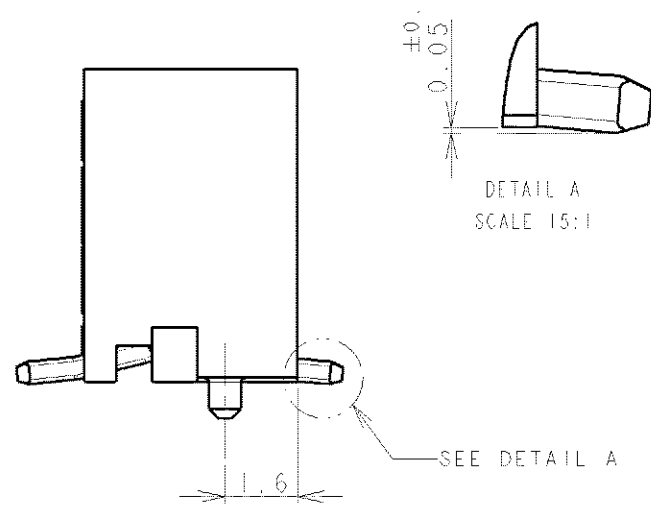
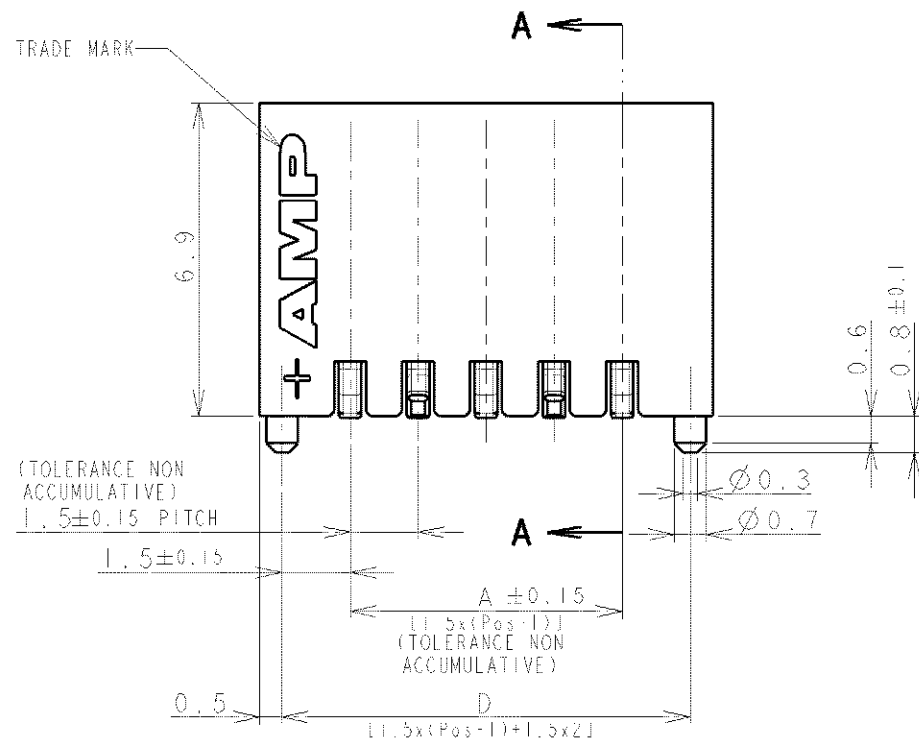
RELEASED FOR PUBLICATION

© COPYRIGHT BY ALL RIGHTS RESERVED.

LOC	DIST	REVISIONS			
P	LTR	DESCRIPTION	DATE	DWN	APVD
FB	00	SEE SHEET 1			



CIRCUIT No. 1



SHOWN AS WIHTOUT TAPE

NOTES:
 1. MATERIAL:
 HOUSING: GLASS FILLED, HIGH HEAT RESISTANT NYLON, UL94V-0, COLOR: BEIGE OR BLACK
 POST: Sn-100% BRASS WIRE
 TO BE MEASURED WITH CONNECTOR PLACED ON HORIZONTAL DATUM SURFACE,
 FLOAT OF SOLDER TINE FROM DATUM SURFACE IS 0.1mm MAX.

DWN		TE Connectivity	
CHK			
APVD		NAME	
PRODUCT SPEC		AMP MINI COMMON TERMINATION (CT) CONNECTOR 1.5 mm PITCH	
APPLICATION SPEC		SINGLE ROW POST HDR ASS'Y (V) SMT TYPE WITH BOSS	
WEIGHT		SIZE	RESTRICTED TO
MATERIAL		CAGE CODE	
FINISH		DRAWING NO	
SEE NOTE 1		A3 00779	
SEE NOTE 1		C-292232	
CUSTOMER DRAWING		SCALE	SHEET
		NON	3 OF 4
			REV A2

RELEASED FOR PUBLICATION

THIS DRAWING IS UNPUBLISHED.


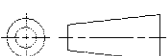
ALL RIGHTS RESERVED.

BY

© COPYRIGHT

LOC	DIST	REVISIONS					
FB	00	P	LTR	DESCRIPTION	DATE	DWN	APVD
				SEE SHEET 1	-	-	-

0.98	31.5	32.5	30.6	28.5	20	2-292232-0
0.93	30.0	31.0	29.1	27.0	19	1-292232-9
0.89	28.5	29.5	27.6	25.5	18	1-292232-8
0.84	27.0	28.0	26.1	24.0	17	1-292232-7
0.80	25.5	26.5	24.6	22.5	16	1-292232-6
0.75	24.0	25.0	23.1	21.0	15	1-292232-5
0.71	22.5	23.5	21.6	19.5	14	1-292232-4
0.66	21.0	22.0	20.1	18.0	13	1-292232-3
0.62	19.5	20.5	18.6	16.5	12	1-292232-2
0.57	18.0	19.0	17.1	15.0	11	1-292232-1
0.52	16.5	17.5	15.6	13.5	10	1-292232-0
0.48	15.0	16.0	14.1	12.0	9	292232-9
0.43	13.5	14.5	12.6	10.5	8	292232-8
0.39	12.0	13.0	11.1	9.0	7	292232-7
0.34	10.5	11.5	9.6	7.5	6	292232-6
0.30	9.0	10.0	8.1	6.0	5	292232-5
0.25	7.5	8.5	6.6	4.5	4	292232-4
0.20	6.0	7.0	5.1	3.0	3	292232-3
WEIGHT (g)	D	C	B	A	Pos.	BEIGE (NAT)
	DIMENSIONS					P/N

DIMENSIONS: mm		DWN	MATERIAL	FINISH			
TOLERANCES UNLESS OTHERWISE SPECIFIED:		CHK	SEE SHEET 1	SEE SHEET 1			
0 PLC ±	APVD	PRODUCT SPEC	 TE Connectivity				
1 PLC ±		APPLICATION SPEC					
2 PLC ±		WEIGHT	NAME				
3 PLC ±			AMP MINI COMMON TERMINATED (CT) CONNECTOR 1.5 mm PITCH				
4 PLC ±	SINGLE ROW POST HDR ASS'Y (V) SMT TYPE WITH BOSS			RESTRICTED TO			
ANGLES ±			SIZE	CAGE CODE	DRAWING NO		
	CUSTOMER DRAWING		A4	00779	©=292232		
		SCALE	NON	SHEET	4 OF 4	REV	A2