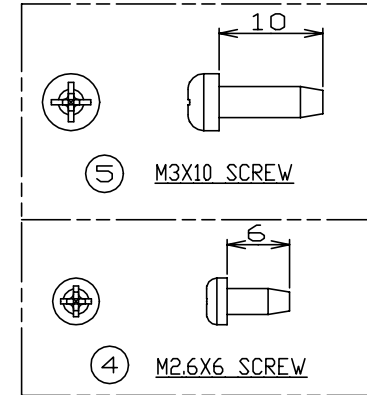
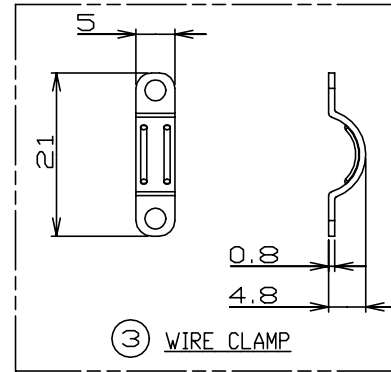
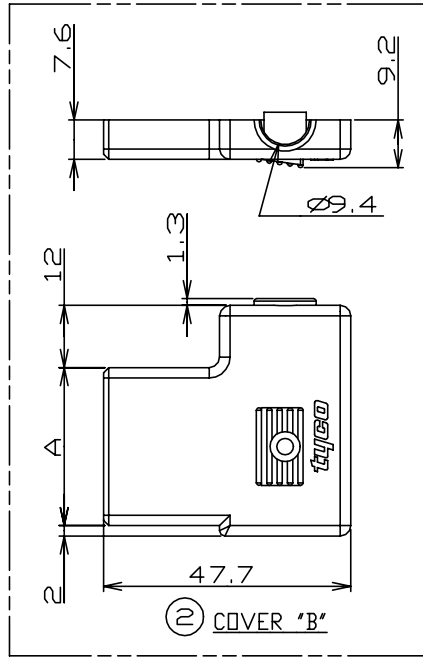
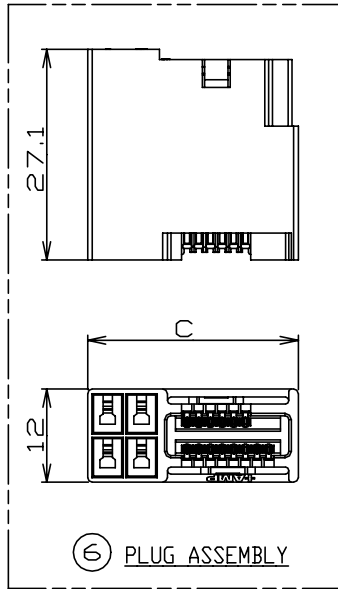
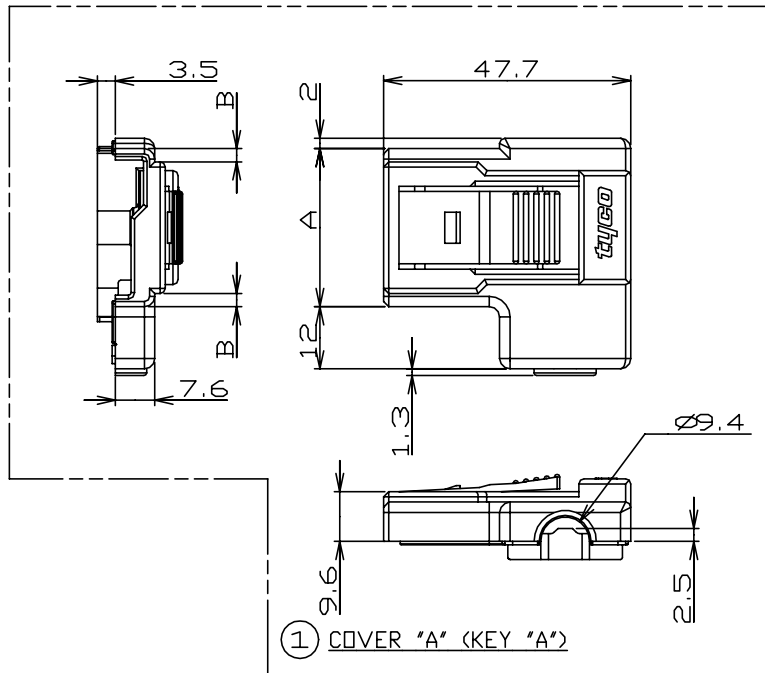


THIS DRAWING IS UNPUBLISHED. RELEASED FOR PUBLICATION
 © COPYRIGHT BY TYCO ELECTRONICS CORPORATION. ALL RIGHTS RESERVED.

LOC	DIST	REVISIONS			
P	LTR	DESCRIPTION	DATE	DWN	APVD
ES	00				
	D1	REVISED ECR-19-019743	02JUN20	J.J	W.H



NOTES: THIS IS LEAD-FREE P/N.



C	B	A	QTY	MATERIAL & FINISH	DESCRIPTION	PART NUMBER	ITEM	KEY TYPE	PART NUMBER
27.1	—	—	1	THERMOPLASTIC, UL94V-0 COLOR: GRAY LATTICE MATING AREA: GOLD PLATED MINI CT MATING AREA: TIN PLATED	PLUG ASSEMBLY, 14P	1-292245-4	⑥		
—	—	—	1	STEEL, NICKEL PLATED	TAPTITE SCREW, P-TITE M3X10	292264-1	⑤		
—	—	—	2	STEEL, NICKEL PLATED	TAPTITE SCREW, P-TITE M2.6X6	292263-1	④	A	1-292223-4 (NOT TOOLED)
—	—	—	1	STEEL, NICKEL PLATED	WIRE CLAMP	292265-1	③		
—	—	30.5	1	THERMOPLASTIC, UL94V-0 COLOR: GRAY	COVER "B", 14P	1-84821-4	②		
—	2.55	30.5	1	THERMOPLASTIC, UL94V-0 COLOR: GRAY	COVER "A", 14P, KEY "A"	1-84820-4	①		

THIS DRAWING IS A CONTROLLED DOCUMENT FOR TYCO ELECTRONICS CORPORATION. IT IS SUBJECT TO CHANGE AND THE CONTROLLING ENGINEERING ORGANIZATION SHOULD BE CONTACTED FOR THE LATEST REVISION.

DIMENSIONS: mm	TOLERANCES UNLESS OTHERWISE SPECIFIED:	DWN J. JIANG 05FEB03	TE Connectivity NAME: CABLE CLAMP KIT, HIGH WALL TYPE FOR AMP 15mm PITCH MINI CT HYBRID LATTICE CONNECTOR
0 PLC ±	1 PLC ±	CHK S. YAO 05FEB03	
2 PLC ±	3 PLC ±	APVD T. SASAKI 05FEB03	
4 PLC ±	ANGLES ±	PRODUCT SPEC 108-60028	
MATERIAL SEE TABLE	FINISH SEE TABLE	APPLICATION SPEC 114-5256	RESTRICTED TO
		WEIGHT CUSTOMER DRAWING	SIZE: A3 CAGE CODE: 00779 DRAWING NO: 292223
		SCALE: 3:2 SHEET 1 OF 3 REV D1	

4

3

2

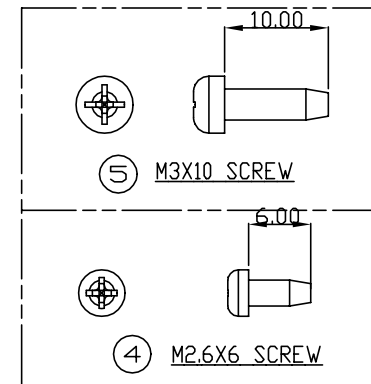
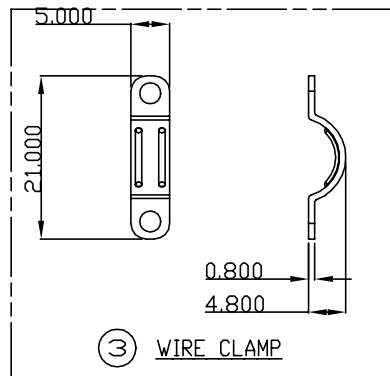
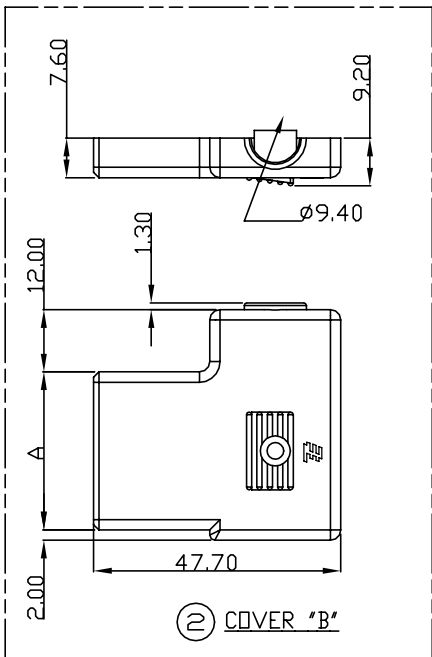
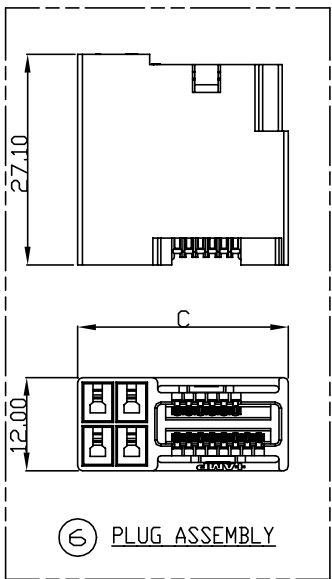
1

THIS DRAWING IS UNPUBLISHED. RELEASED FOR PUBLICATION
© COPYRIGHT BY TYCO ELECTRONICS CORPORATION. ALL RIGHTS RESERVED.

LOC	DIST	REVISIONS			
P	LTR	DESCRIPTION	DATE	DWN	APVD
ES	00	SEE SHEET 1	-	-	-

D

D

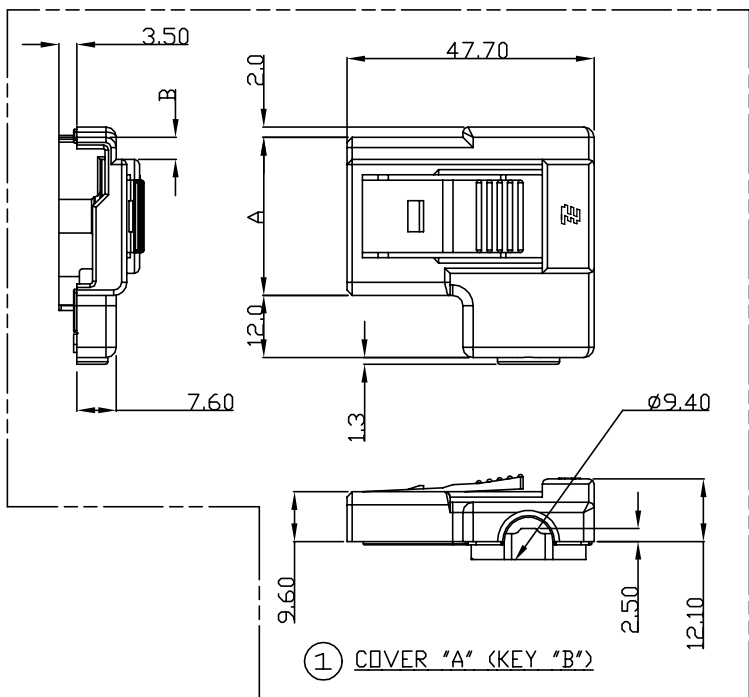


C

C

B

B



C	B	A	QTY	MATERIAL & FINISH	DESCRIPTION	PART NUMBER	ITEM	KEY TYPE	PART NUMBER
27.1	—	—	1	THERMOPLASTIC, UL94V-0 COLOR: GRAY LATTICE MATING AREA: GOLD PLATED MINI CT MATING AREA: TIN PLATED	PLUG ASSEMBLY, 14P	1-292245-4	⑥	B	3-292223-4 (AVAILABLE)
—	—	—	1	STEEL, NICKEL PLATED	TAPTITE SCREW, P-TITE M3X10	292264-1	⑤		
—	—	—	2	STEEL, NICKEL PLATED	TAPTITE SCREW, P-TITE M2.6X6	292263-1	④		
—	—	—	1	STEEL, NICKEL PLATED	WIRE CLAMP	292265-1	③		
—	—	30.5	1	THERMOPLASTIC, UL94V-0 COLOR: GRAY	COVER "B", 14P	1-84821-4	②		
—	4.25	30.5	1	THERMOPLASTIC, UL94V-0 COLOR: GRAY	COVER "A", 14P, KEY "B"	3-84820-4	①		
C	B	A	QTY	MATERIAL & FINISH	DESCRIPTION	PART NUMBER	ITEM	KEY TYPE	PART NUMBER

OBSELETE

THIS DRAWING IS A CONTROLLED DOCUMENT FOR TYCO ELECTRONICS CORPORATION. IT IS SUBJECT TO CHANGE AND THE CONTROLLING ENGINEERING ORGANIZATION SHOULD BE CONTACTED FOR THE LATEST REVISION.

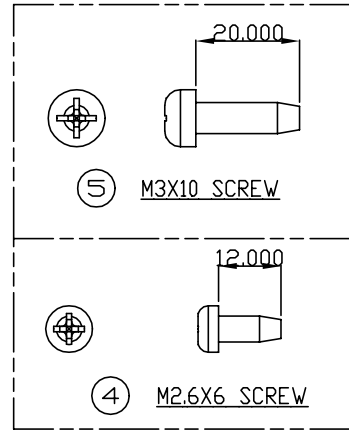
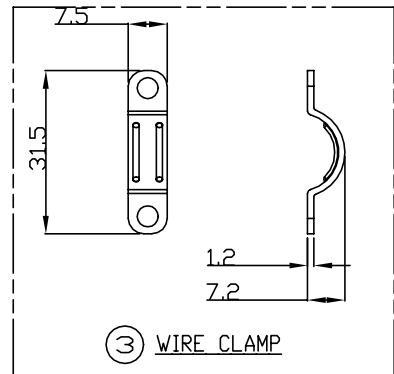
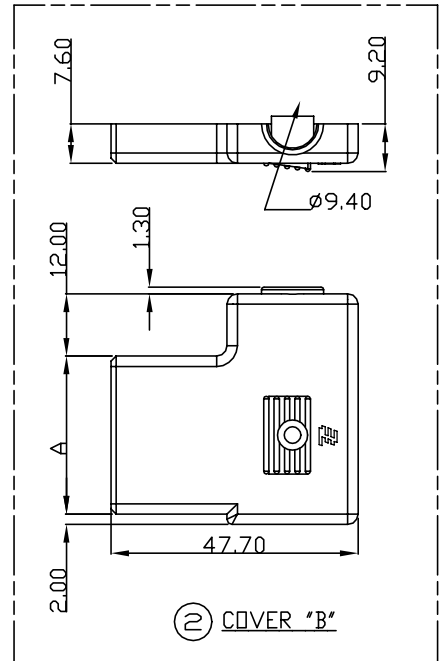
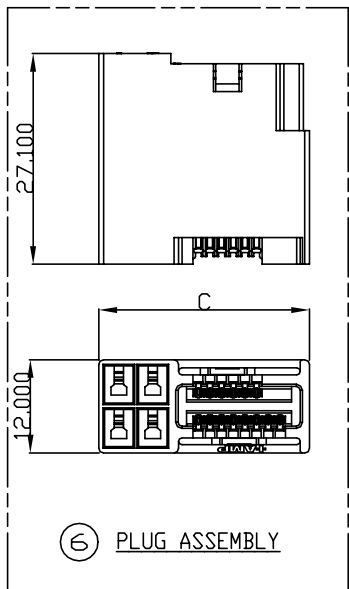
DIMENSIONS: mm	TOLERANCES UNLESS OTHERWISE SPECIFIED: 0 PLC ± 1 PLC ± 2 PLC ± 3 PLC ± 4 PLC ± ANGLES ±	DWN J. JIANG 05FEB03	TE Connectivity CABLE CLAMP KIT, HIGH WALL TYPE FOR AMP 15mm PITCH MINI CT HYBRID LATTICE CONNECTOR
MATERIAL SEE TABLE	FINISH SEE TABLE	CHK S. YAP 05FEB03	
		APVD T. SASAKI 05FEB03	
		NAME 108-60028 APPLICATION SPEC 114-5256	
		SIZE A3	CAGE CODE 00779
		WEIGHT CUSTOMER DRAWING	DRAWING NO 292223
			RESTRICTED TO
			SCALE 3:2
			SHEET 2 OF 3
			REV D1

THIS DRAWING IS UNPUBLISHED. RELEASED FOR PUBLICATION
© COPYRIGHT BY TYCO ELECTRONICS CORPORATION. ALL RIGHTS RESERVED.

LOC	DIST	REVISIONS			
P	LTR	DESCRIPTION	DATE	DWN	APVD
ES	00	SEE SHEET 1	-	-	-

D

D

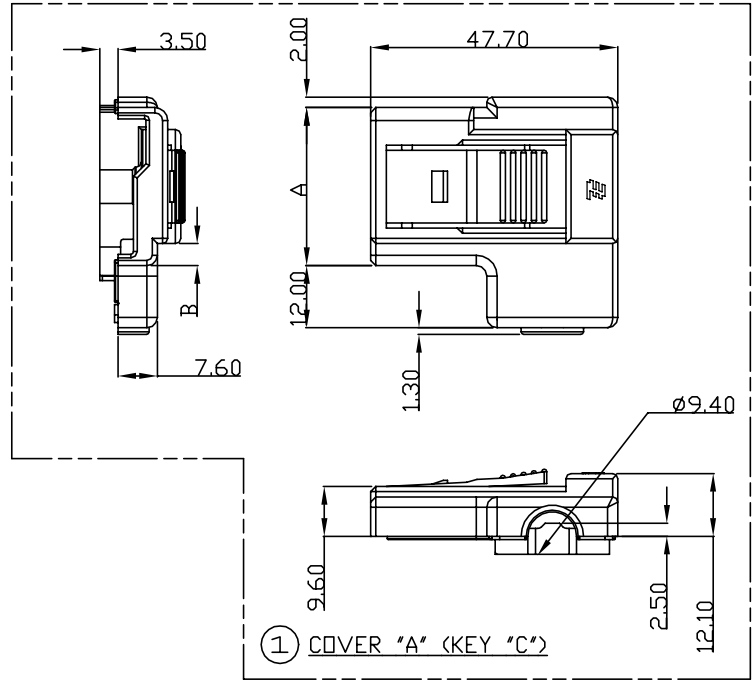


C

C

B

B



C	B	A	QTY	MATERIAL & FINISH	DESCRIPTION	PART NUMBER	ITEM	KEY TYPE	PART NUMBER
27.1	—	—	1	THERMOPLASTIC, UL94V-0 COLOR: GRAY LATTICE MATING AREA: GOLD PLATED MINI CT MATING AREA: TIN PLATED	PLUG ASSEMBLY, 14P	1-292245-4	⑥	C	5-292223-4 (NOT TOOLED)
—	—	—	1	STEEL, NICKEL PLATED	TAPTITE SCREW, P-TITE M3X10	292264-1	⑤		
—	—	—	2	STEEL, NICKEL PLATED	TAPTITE SCREW, P-TITE M2.6X6	292263-1	④		
—	—	—	1	STEEL, NICKEL PLATED	WIRE CLAMP	292265-1	③		
—	—	30.5	1	THERMOPLASTIC, UL94V-0 COLOR: GRAY	COVER "B", 14P	1-84821-4	②		
—	4.25	30.5	1	THERMOPLASTIC, UL94V-0 COLOR: GRAY	COVER "A", 14P, KEY "C"	5-84820-4	①		

DIMENSIONS: mm 		TOLERANCES UNLESS OTHERWISE SPECIFIED: 0 PLC ± 1 PLC ± 2 PLC ± 3 PLC ± 4 PLC ± ANGLES ±		MATERIAL: SEE TABLE FINISH: SEE TABLE		DWN: J. JIANG 05FEB03 CHK: S. YAP 05FEB03 APVD: T. SASAKI 05FEB03 PRODUCT SPEC: 108-60028 APPLICATION SPEC: 114-5256		TE Connectivity		NAME: CABLE CLAMP KIT, HIGH WALL TYPE FOR AMP 15mm PITCH MINI CT HYBRID LATTICE CONNECTOR	
SIZE: A3		CAGE CODE: 00779		DRAWING NO: 292223		RESTRICTED TO:		SCALE: 3:2		SHEET: 3 OF 3	
CUSTOMER DRAWING						SCALE: 3:2		SHEET: 3 OF 3		REV: D1	

A

A