


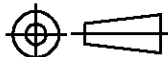
LOC	DIST	REVISIONS					
FB	00	P	LTR	DESCRIPTION	DATE	DWN	APVD
		0		RELEASED FB00-0013-03	23JAN03	J.J	T.S

THIS DRAWING IS UNPUBLISHED.

ALL RIGHTS RESERVED.

BY TYCO ELECTRONICS CORPORATION.

12P (H)	7-912057-3	1	292137-1	9	292163-2
4P (V)	2-912057-9	1	292140-1	25	292163-1
CONN' TYPE	TUBE P/N	QTY'S	CONN' P/N	QTY'S	IN TUBE P/N

DIMENSIONS: MM	DWN	J.JIANG	23JAN03	MATERIAL	-	FINISH	-
	CHK	S.YAO	23JAN03	 Tyco Electronics Corporation Shanghai, P.R.China,200233			
TOLERANCES UNLESS OTHERWISE SPECIFIED:			APVD				
0 PLC ± -	PRODUCT SPEC			NAME			
1 PLC ± -	108-60016			CT FLOATING CONN'			
2 PLC ± -	APPLICATION SPEC			4P (DIP-V), 12P (DIP-H) TUBE PACKING			
3 PLC ± -	WEIGHT			SIZE	CAGE CODE	DRAWING NO	RESTRICTED TO
4 PLC ± -				A4	00779	C-292163	-
ANGLES ± -	CUSTOMER DRAWING			SCALE	++	SHEET	1 OF 1
						REV	0