

4

3

2

1

THIS DRAWING IS UNPUBLISHED.

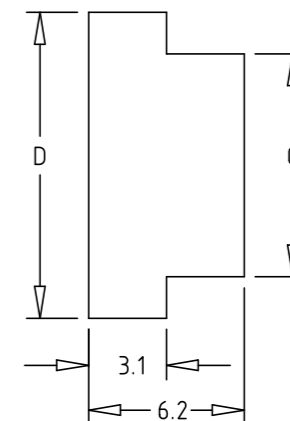
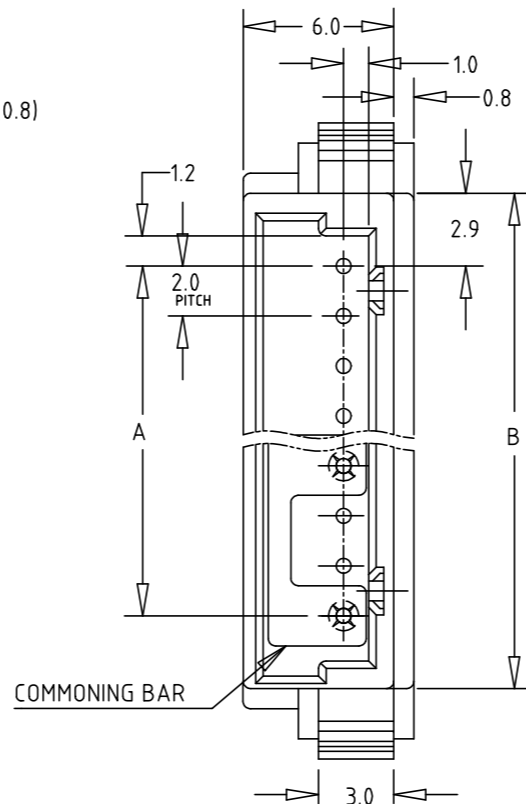
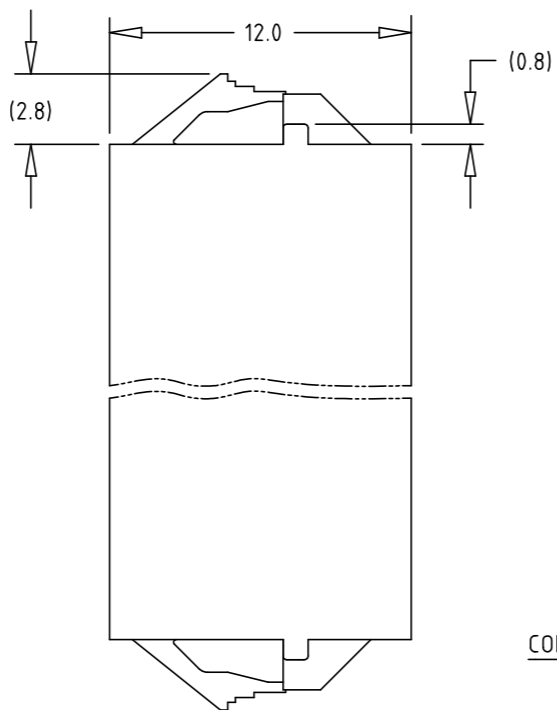
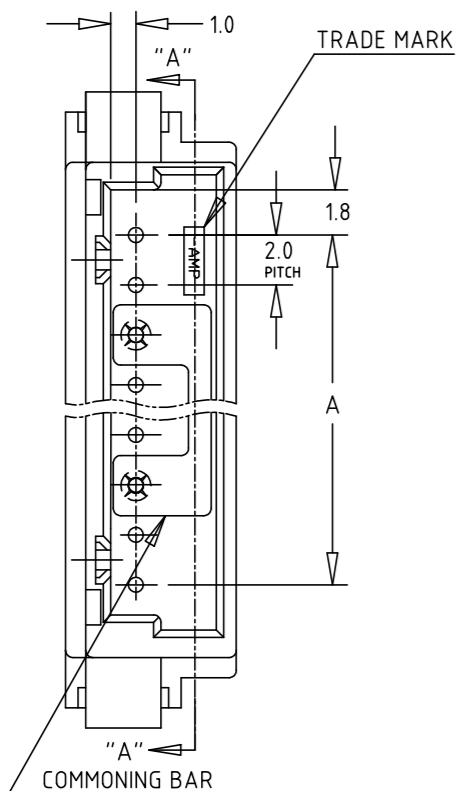
RELEASED FOR PUBLICATION

REVISIONS

© COPYRIGHT - TE Connectivity Ltd.

ALL RIGHTS RESERVED.

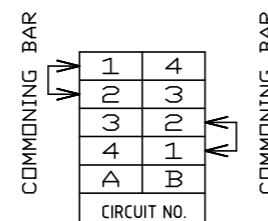
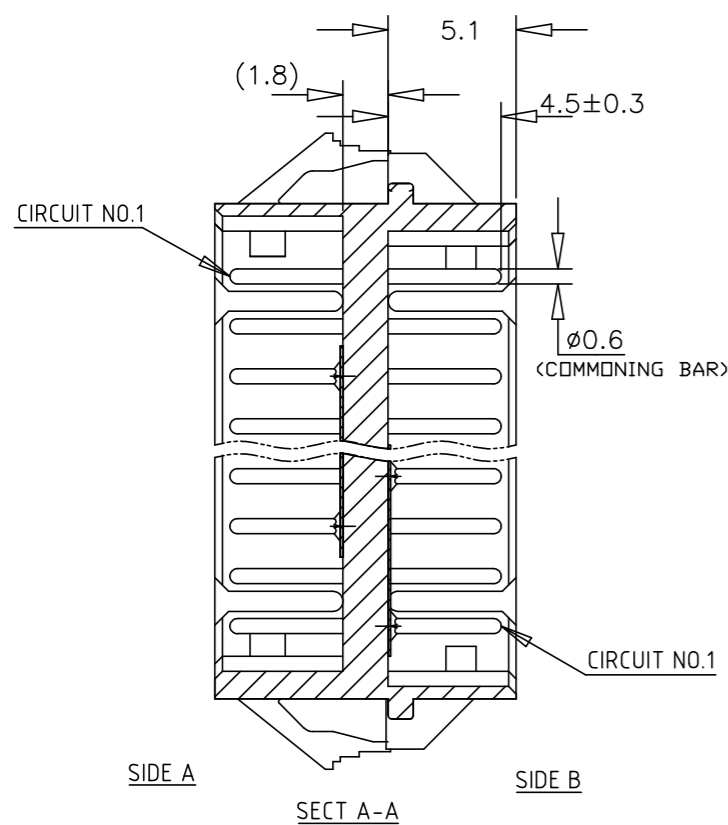
P	LTR	DESCRIPTION	DATE	DWN	APVD
	A	ECR-19-009119	03JUL19	T.Q	W.H



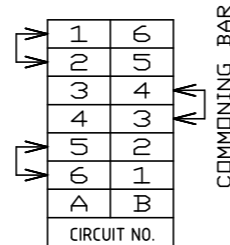
PANEL CUTOUT DIMENSION (TOLERANCE:±0.1)
RECOMMEND PANEL THICKNESS :0.8mm_1.6mm

NOTES:

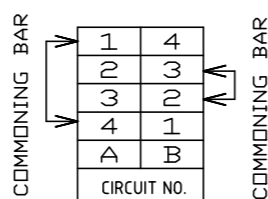
- 1 MATERIAL : HOUSING - 66 NYLON (UL94V-0)
POST - TIN BRASS
COMMONING BAR - TIN BRASS
- 2 THE PANEL SHOULD BE PUNCHED IN THE SAME DIRECTION OF THE HOUSING MOUNTING DIRECTION.
- 3 PRODUCT SPEC : 108-5408, 108-60016



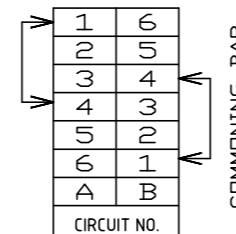
<COMMONING CIRCUIT>
(2-292157-4)



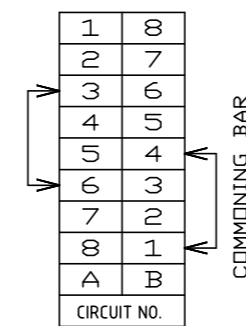
<COMMONING CIRCUIT>
(2-292157-6)



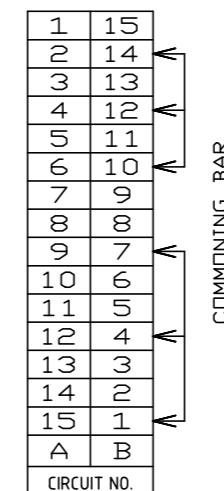
<COMMONING CIRCUIT>
(292157-4)



<COMMONING CIRCUIT>
(292157-6)



<COMMONING CIRCUIT>
(292157-8)



<COMMONING CIRCUIT>
(1-292157-5)

OBSOLETE	2-292157-6	6	19.6	16.0	15.8	10.0
	2-4	4	15.6	12.0	11.8	6.0
OBSOLETE	1-5	15	37.6	34.0	33.8	28.0
	-8	8	23.6	20.0	19.8	14.0
	-6	6	19.6	16.0	15.8	10.0
	-4	4	15.6	12.0	11.8	6.0
	292157-2	2	11.6	8.0	7.8	2.0
	NATURAL	POS	D	C	B	A
	PART NUMBER					

TOLERANCES UNLESS OTHERWISE SPECIFIED:
10> : ±0.2
30>=10 : ±0.25
100>=30 : ±0.3
ANGEL : ±3°

THIS DRAWING IS A CONTROLLED DOCUMENT.

DIMENSIONS:	TOLERANCES UNLESS OTHERWISE SPECIFIED:	DWN	31JAN03
mm	0 PLC ±	S.XU	
	1 PLC ±	CHK	31JAN03
	2 PLC ±	S.YAO	
	3 PLC ±	APVD	31JAN03
	4 PLC ±	T.SASAKI	
	ANGLES ±	PRODUCT SPEC	
MATERIAL	FINISH	APPLICATION SPEC	NAME
SEE NOTE	SEE NOTE	SEE NOTE	RELAY POST HDR ASS'Y(PANEL MOUNT TYPE) WITH COMMONING BAR AMP CT CONN. 2mm PITCH
		WEIGHT	SIZE
			A3
		CUSTOMER DRAWING	CAGE CODE
			00779
			DRAWING NO
			C=292157
			RESTRICTED TO
			SCALE
			4:1
			SHEET
			1 of 1
			REV
			A

TE TE Connectivity