

4

3

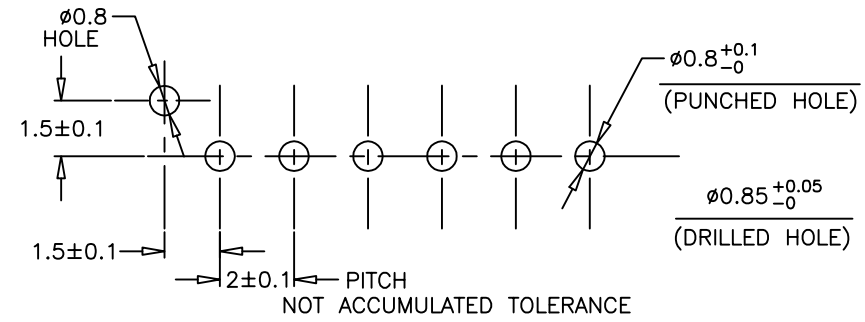
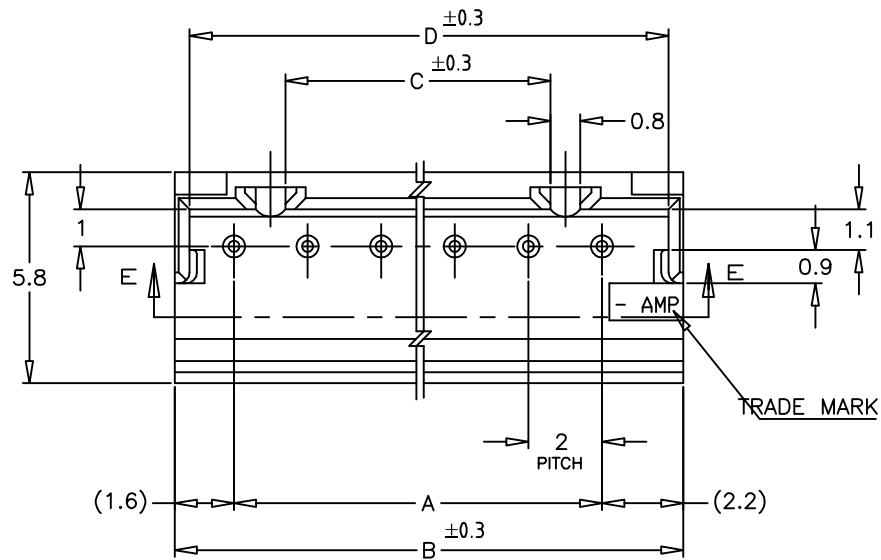
2

1

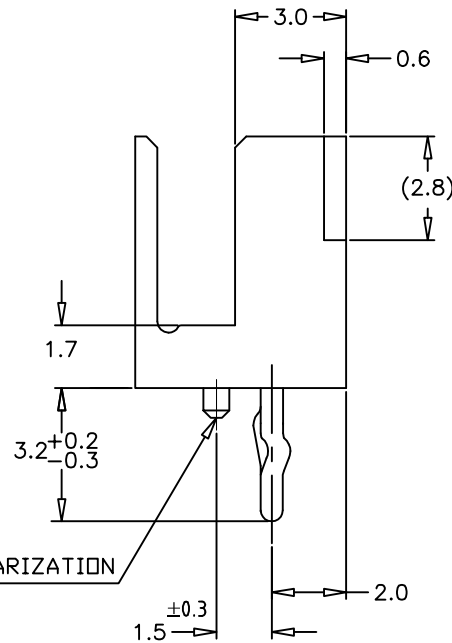
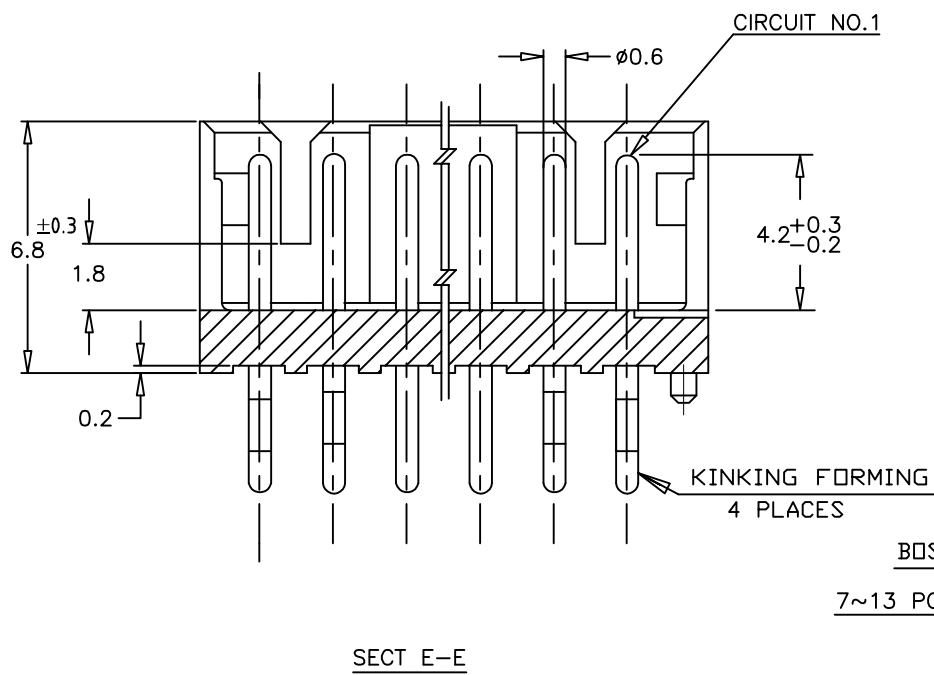
THIS DRAWING IS UNPUBLISHED. RELEASED FOR PUBLICATION

© COPYRIGHT BY TYCO ELECTRONICS CORPORATION. ALL RIGHTS RESERVED.

LOC	DIST	REVISIONS					
FB	00	P	LTR	DESCRIPTION	DATE	DWN	APVD
		A		ECR-14-006619	15MAY14	T.Q	W.H



RECOMMENDABLE P.C. BOARD LAYOUT
(PCB THK : 0.8-1.6)



NOTES:
1 MATERIAL : HOUSING-66 NYLON (GF TYPE)
POST -TIN BRASS

	1-292136-3	13	24	27.8	21.2	27.0
	1-292136-0	10	18	21.8	15.2	21.0
	-9	9	16	19.8	13.2	19.0
2-292136-8		8	14	17.8	11.2	17.0
	292136-7	7	12	15.8	9.2	15.0
BLUE	NATURAL	POS.	A	B	C	D
	P/N					

THIS DRAWING IS A CONTROLLED DOCUMENT.		DWN	S.XU	31JAN03	 TE Connectivity	NAME		POST HEADER ASS'Y POLARIZED TYPE(BOX-V TYPE) (AMP CT CONNECTOR 2mm PITCH)					
DIMENSIONS: MM		CHK	S.YAO	31JAN03		PRODUCT SPEC		108-60016					
TOLERANCES UNLESS OTHERWISE SPECIFIED: ± 0.2		APVD	T.SASAKI	31JAN03		APPLICATION SPEC		-					
0-PLC ± - 1-PLC ± - 2-PLC ± - 3-PLC ± - 4-PLC ± - ANGLES ± -		MATERIAL		FINISH		WEIGHT		SIZE	CAGE CODE	DRAWING NO	RESTRICTED TO		
SEE NOTE		SEE NOTE		-		-		A3	00779	C=292136	-		
CUSTOMER DRAWING						SCALE	5:1	SHEET	1	OF	1	REV	A