

P	LTR	DESCRIPTION	DATE	DWN	APVD
	A	TE STANDARD	24APR2024	KS	RB

EC No. _____

500AMP. POWER RELAY (24 VDC) Page 1 of 2
 ENVIRONMENTALLY SEALED STANDARD SIDE MOUNTING

MOUNTING DIMENSION

Suppression Diode
29-400-50

CIRCUIT

M10
M10 DIN 934
max. Torque 15-20Nm
B10 DIN137
M4x6 ISO 1207
max. Torque 2.0-2.2Nm

Third Angle Projection

DIMENSIONAL TOLERANCES
3 PLACE DECIMAL +0.010
2 PLACE DECIMAL +0.03
ANGULAR +0°30'

Date	Name	mm	Inch	Scale	Drawing No.
Create 18.10.2019	Mielk			1:1.3	29-511-12
Edited 22.10.2019	Mielk	General Tolerances			
Check 22.10.2019	Kaise	DIN ISO 2768 cL			

EC No. _____

500AMP. POWER RELAY (24 VDC) Page 2 of 2

Technical Data

ENVIRONMENTAL CHARACTERISTICS
 TEMPERATURE RANGE -40°C TO +85°C (-40°F TO +185°F)
 MAX. ALTITUDE RATING 50 000 FT
 SEAL IP67 (6 FT/ 0.2BAR 1 MIN) I.A.W. IEC 529
 IP6K9K (STEAM PRESSURE) DIN 40050 PART 9 AND I.A.W. IEC 529

SHOCK G-LEVEL 6G/ 11 MSEC
VIBRATION 4G/ 50-2000 Hz

ELECTRICAL CHARACTERISTICS
 MIN. INSULATION RESISTANCE INITIAL 100 MEGOHMS
 AFTER LIVE OR ENVIRONMENTAL 50 MEGOHMS
 DIELECTRIC WITHSTANDING VOLTAGE SEA LEVEL 1 MINUTE: 1050 VOLTS
 ALTITUDE 1 MINUTE: 500 VOLTS

MAX. CONTACT DROP INITIAL 0.15 VDC
AFTER LIFE TEST 0.175 VDC
OVERLOAD 4000 AMP FOR 1 SEC. 1800 AMP FOR 20 SEC
DUTY RATING 500 AMP CONTINUOUS

RATED CONTACT LOAD
RESISTIVE LOAD 100 000 CYCLES
ENDURANCE 1 000 000 CYCLES

OPERATING CHARACTERISTICS

COIL DATA
 VOLTAGE RANGE 18-32 VDC
 NOMINAL VOLTAGE 28 VDC
 PICK UP VOLTAGE MAX. 18 VDC FULL TEMP. RANGE
 DROP OUT VOLTAGE MAX. ≤ 4 VDC FULL TEMP. RANGE
 COIL RESISTANCE 36 OHMS ±10%
 COIL CURRENT APPROX. 0.78 AMP
 COIL POWER APPROX. 22 W

TIME-MILLISECONDS-MAX.
 OPERATE 60
 BOUNCE 5
 RELEASE 30

WEIGHT 1.60 KG - 3.53 POUND MAX.

WIRE SECTION (AT NOMINAL LOAD) MIN. 150mm²/ 0.233 sq. in./ MCM 300

MOUNTING POSITION OPTIONAL

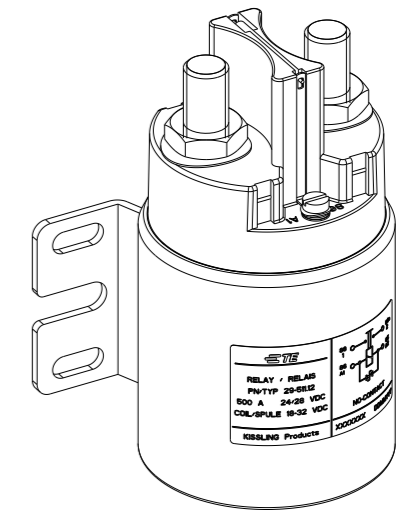
SUBJECT TO CHANGE

For this drawing we reserve the copyright in accordance with DIN ISO 16016

Date	Name	mm	Inch	Scale	Drawing No.
Create 18.10.2019	Mielk			1:1.3	29-511-12
Edited 22.10.2019	Mielk	General Tolerances			
Check 22.10.2019	Kaise	DIN ISO 2768 cL			

NOTES:
Bemerkungen:

1 TE-CONNECTIVITY ORDER-NUMBER
TE-Connectivity Bestellnummer



ISO 1:2

PART/TCPN NO.	REV.	DESCRIPTION	ITEM NO.
K1060259	1	500AMP POWER RELAY (24VDC) 500AMP Leistungsrelais (24VDC)	1

THIS DRAWING IS A CONTROLLED DOCUMENT.

DWN	N.Mielke	180CT2019
CHK	N.Mielke	220CT2019
APVD	G.Kaiser	220CT2019

NAME: 500AMP POWER RELAY (24VDC)
500AMP Leistungsrelais (24VDC)

SIZE	CAGE CODE	DRAWING NO	RESTRICTED TO
A3	00779	©=29-511-12	-

CUSTOMER DRAWING

SCALE 1:1 SHEET 1 OF 1 REV A