

P	LTR	DESCRIPTION	DATE	DWN	APVD
	A	ECN-24-262677	TE STANDARD	26APR2024	KS RB

TA-Nr.	500AMP. POWER RELAY (12 VDC) ENVIRONMENTALLY SEALED SUPPRESSION DEVICE STANDARD SIDE MOUNTING MAGNETIC BLOWOUTS OPTIONAL	Series 29	Page 1 of 2
--------	---	------------------	-------------

CIRCUIT

DIMENSIONAL TOLERANCES 3 PLACE DECIMAL ± 0.010 2 PLACE DECIMAL ± 0.03 ANGULAR ± 0°30'	ORDER-NO. 29.511.01 WITHOUT SUPPRESSION 29.511.11 WITH SUPPRESSION
--	--

2000	Date	Name	Inch/mm	Scale		Drawing No. / Order No.
Design	24.10.	Bo.	General Tolerances	1		29.511.01
Check	24.10.					29.511.11
Appro						

TA-Nr.	500AMP. POWER RELAY (12 VDC) ENVIRONMENTALLY SEALED SUPPRESSION DEVICE STANDARD SIDE MOUNTING MAGNETIC BLOWOUTS OPTIONAL	Series 29	Page 2 of 2
--------	---	------------------	-------------

TECHNICAL DATA

ENVIRONMENTAL CHARACTERISTICS

TEMPERATURE RANGE -40° C TO +85° C (-40° F TO +185° F)
 MAX. ALTITUDE RATING 50 000 FT
 SEAL IP67 (6 FEET / 0.2 BAR - 1 MIN.) I.A.W. IEC 529
 IP68 (STEAM PRESSURE) DIN 40050 PART 9 AND I.A.W. IEC 529
 SHOCK G-LEVEL 6 G / 11 MSEC
 VIBRATION 4 G / 50 - 2000 Hz

ELECTRICAL CHARACTERISTICS

MIN. INSULATION RESISTANCE; INITIAL 100 MEGOHMS
 AFTER LIFE OR ENVIRONMENTAL 50 MEGOHMS
 DIELECTRIC WITHSTANDING VOLTAGE SEA-LEVEL 1 MINUTE 1 050 VOLTS
 ALTITUDE 1 MINUTE 500 VOLTS
 MAX. CONTACT DROP INITIAL 0.15 VOLTS
 AFTER LIFE TEST 0.175 VOLTS
 OVERLOAD 4000 AMP FOR 1 SEC., 1800 AMP FOR 20 SEC.
 DUTY RATING 500 AMP CONTINUOUS

RATED CONTACT LOAD (28 VDC)

RESISTIVE LOAD 100 000 CYCLES WITH 500 AMP
 INDUCTIVE 20 000 CYCLES WITH 125 AMP
 MOTOR LOAD 100 000 CYCLES WITH 500AMP
 ENDURANCE 1 000 000 CYCLES

OPERATING CHARACTERISTICS

COIL DATA

VOLTAGE RANGE 9 - 16 VDC
 NOMINAL VOLTAGE 12 VDC
 PICK UP VOLTAGE MAX. 9 VDC FULL TEMP RANGE
 DROP OUT VOLTAGE MAX. ≤ 2 VDC FULL TEMP RANGE
 COIL RESISTANCE 9 OHMS ±10%
 COIL CURRENT APPROX 1.33 AMP
 COIL POWER APPROX 22 WATT

TIME-MILLISECONDS-MAX.

OPERATE 60
 BOUNCE 5
 RELEASE 30

WEIGHT

WIRE SECTION (AT NOMINAL LOAD) MIN. 150 mm² / 0.233 sq. in. / MCM 300

MOUNTING POSITION OPTIONAL

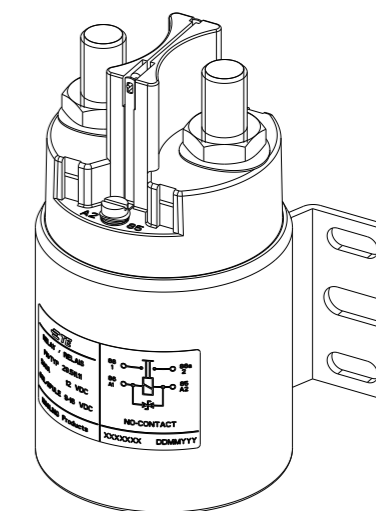
OPTIONAL MAGNETIC BLOWOUTS

RECOMMENDED FOR HIGH INDUCTIVE LOADS TO EXTEND CONTACT LIFE.
 IF REQUIRED, ADD SUFFIX 'B' TO THE END OF ORDER-NO.

2000	Date	Name	Inch/mm	Scale		Drawing No. / Order No.
Design	24.10.	Bo.	General Tolerances	1		29.511.01
Check	24.10.					29.511.11
Appro						

NOTES:
Bemerkungen:

1 TE-CONNECTIVITY ORDER-NUMBER
TE Connectivity Bestellnummer



ISO 1:2

1	K1060354	A	500AMP POWER RELAY (12 VDC) 500AMP Leistungsrelais (12 VDC)	1
PART/TCPN NO.	REV.	DESCRIPTION		ITEM NO.

THIS DRAWING IS A CONTROLLED DOCUMENT.		DWN	24OCT2000
		CHK	24OCT2000
		APVD	24OCT2000
		PRODUCT SPEC	
		APPLICATION SPEC	
		WEIGHT	
			29-511-11

DIMENSIONS: mm	TOLERANCES UNLESS OTHERWISE SPECIFIED: DIN ISO 2768 cL
	0 PLC ± 1 PLC ± 2 PLC ±0.0010 3 PLC ±0.03 4 PLC ± ANGLES ±0°30'
MATERIAL	FINISH



NAME
500AMP POWER RELAY (12 VDC)
500AMP Leistungsrelais (12 VDC)

SIZE	CAGE CODE	DRAWING NO	RESTRICTED TO
A3	00779	©=29-511-11	-
SCALE		SHEET	REV
1:1		1 OF 1	A