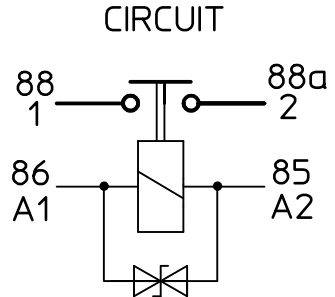
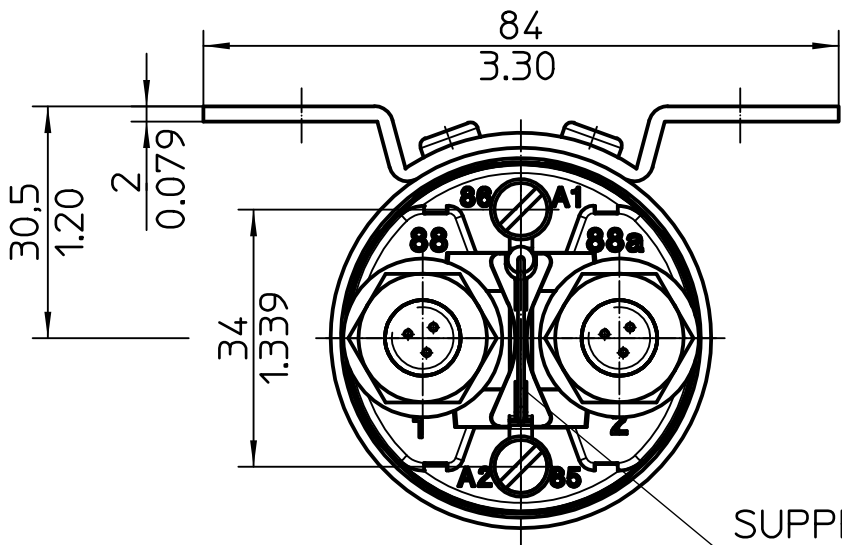
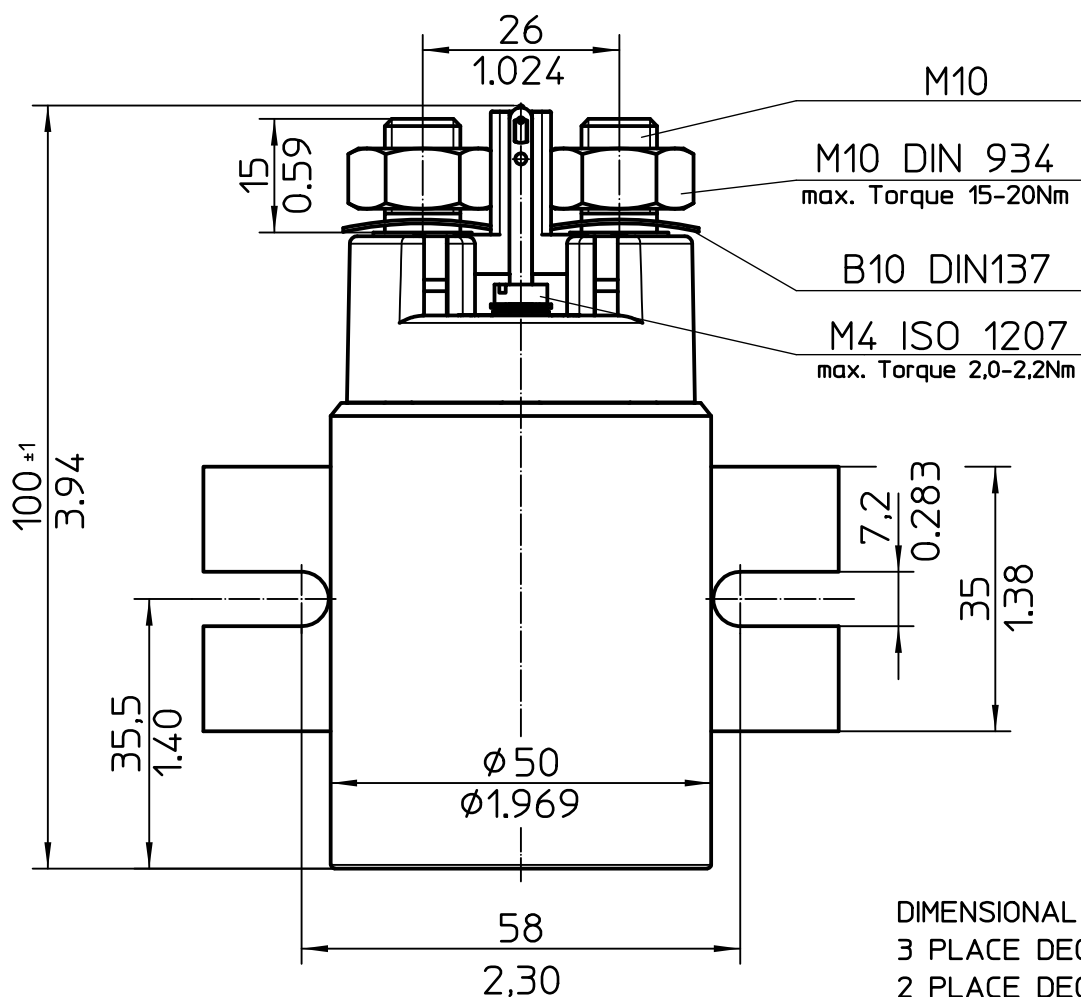


# 300AMP. POWER RELAY (12VDC)

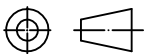
LONG FORM SIDE MOUNTING ENVIRONMENTALLY SEALED



SUPPRESSION



Third Angle Projection



DIMENSIONAL TOLERANCES  
 3 PLACE DECIMAL ±0.010  
 2 PLACE DECIMAL ±0.03  
 ANGULAR ±0°30'

Date	Name
03.03.2015	Mielk
04.08.2015	Mielk

mm Inch	Scale 1:1
General Tolerances DIN ISO 2768 cL	



Drawing No:	29-314-11
NSN:	

