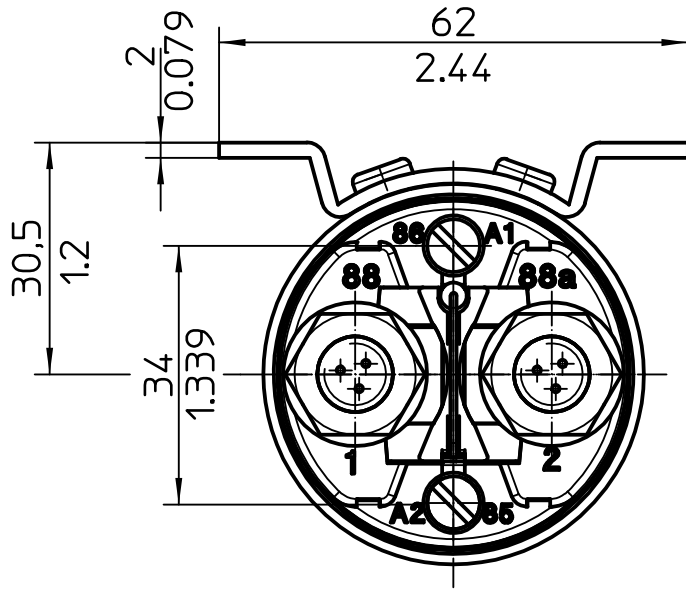
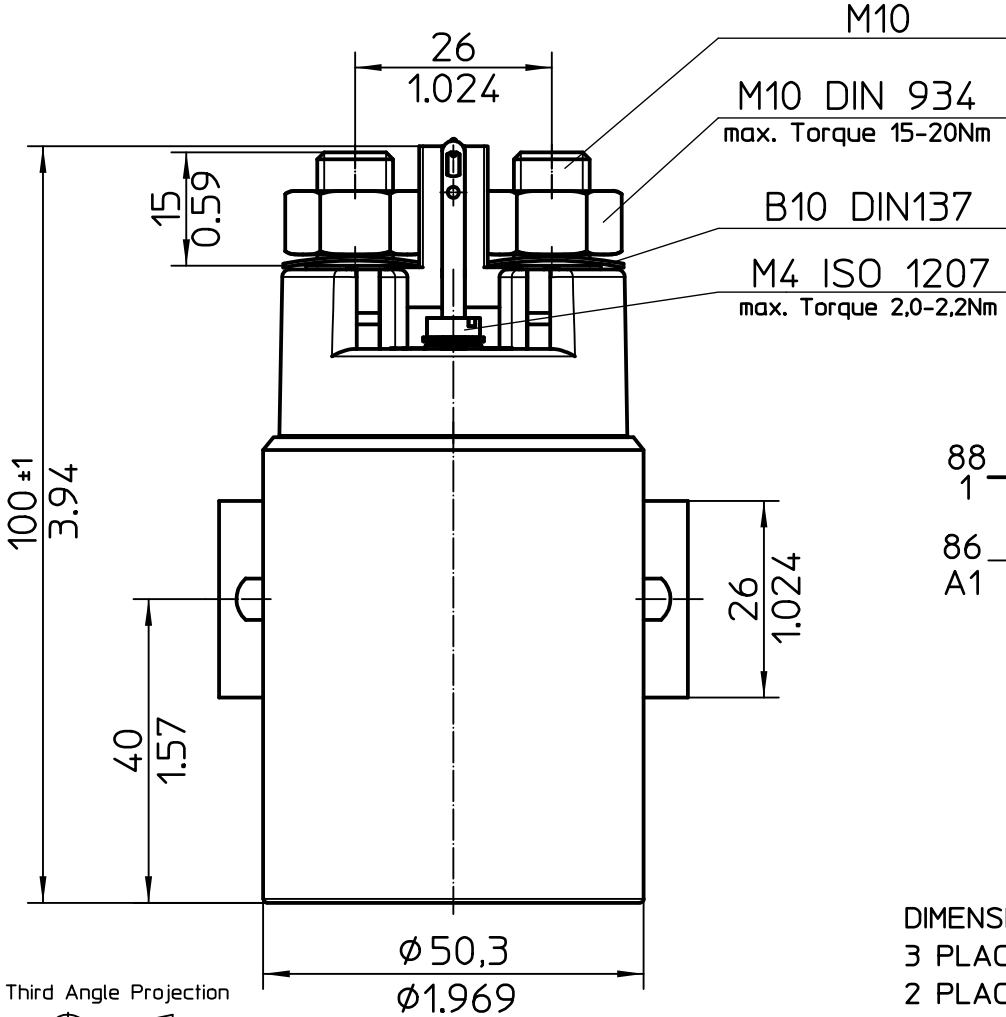
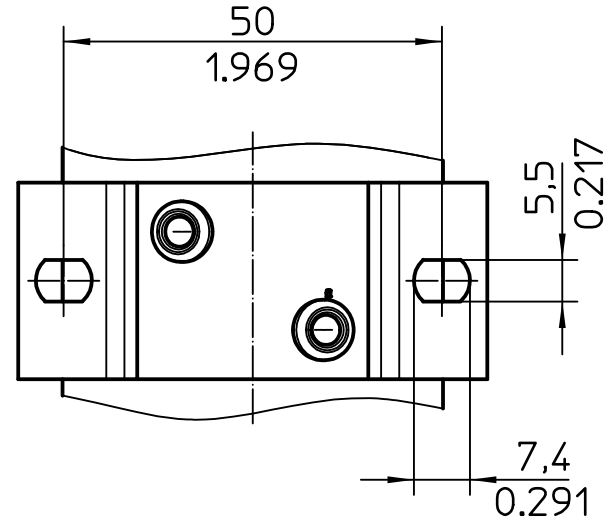


# 300AMP. POWER RELAY (28VDC)

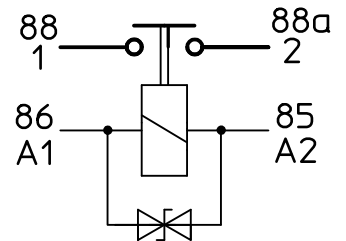
STANDARD SIDE MOUNTING ENVIRONMENTALLY SEALED



## MOUNTING DIMENSION



## CIRCUIT

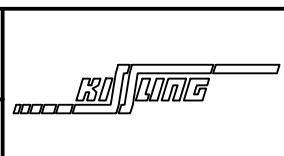


Third Angle Projection

**DIMENSIONAL TOLERANCES**  
 3 PLACE DECIMAL ±0.010  
 2 PLACE DECIMAL ±0.03  
 ANGULAR ±0°30'

Date	Name
15.06.2012	Mielk
19.06.2012	Grind

mm Inch	Scale 1:1
General Tolerances DIN ISO 2768 cL	



Drawing No:	29-311-12-956
NSN:	

# 300AMP. POWER RELAY (28VDC)

STANDARD SIDE MOUNTING ENVIRONMENTALLY SEALED

TECHNICAL DATA

ENVIRONMENTAL CHARACTERISTICS

TEMPERATUR RANGE.....-40°C TO +85°C (-40°F TO +185°F)  
 MAX. ALTITUDE RATING.....50 000FT  
 SEAL.....IP67 (6FEET/0,2BAR-1MIN.) I.A.W. IEC 529  
 IP6K9K (STEAM PRESSURE) DIN 40050 PART 9 AND I.A.W. IEC 529  
 SHOCK G-LEVEL.....6G/11 MSEC  
 VIBRATION.....4G/50-2000 Hz

ELECTRICAL CHARACTERISTICS

MIN. INSULATION RESISTANCE; INITIAL.....100 MEGOHMS  
 AFTER LIFE OR ENVIRONMENTAL.....50 MEGOHMS  
 DIELECTRIC WITHSTANDING VOLTAGE SEA-LEVEL 1MINUTE.....1 050 VOLTS  
 ALTITUDE 1MINUTE.....500 VOLTS  
 MAX. CONTACT DROP INITIAL.....0,15 VOLTS  
 AFTER LIFE TEST.....0,175 VOLTS  
 OVERLOAD.....2400 AMP FOR 1 SEC., 600 AMP FOR 20 SEC  
 DUTY RATING.....300AMP CONTINUOUS

RATED CONTACT LOAD

RESISTIVE LOAD.....200 000 CYCLES WITH 300 AMP  
 INDUCTIVE LOAD.....40 000 CYCLES WITH 75 AMP  
 MOTOR LOAD.....200 000 CYCLES WITH 300 AMP  
 ENDURANCE.....2 000 000 CYCLES

OPERATING CHARACTERISTICS

COIL DATA

VOLTAGE RANGE.....18-32 VDC  
 NOMINAL VOLTAGE.....28 VDC  
 PICK UP VOLTAGE MAX. ....18 VDC FULL TEMP. RANGE  
 DROP OUT VOLTAGE MAX. ....<4 VDC FULL TEMP. RANGE  
 COIL RESISTANCE.....62 OHMS ±10%  
 COIL CURRENT APPROX. ....0.4 AMP  
 COIL POWER APPROX. ....10 WATT

TIME MILLISECONDS-MAX.


OPERATE (Opening).....40  
 BOUNCE.....5  
 RELEASE (Closing).....20

WEIGHT.....0,82kg= 1,81 POUND MAX.

WIRE SECTION (AT NOMINAL LOAD).....MIN. 95mm /0,147 sq. in./ AWG 0000

MOUNTING POSITION.....OPTIONAL

SUBJECT TO CHANGE

	Date	Name	mm	Scale		Drawing No:
Drawn	15.06.2012	Mielk	←	1:1		29-311-12-956
Check	12.08.2015	Mielk	General Tolerances DIN ISO 2768 cL			NSN.: