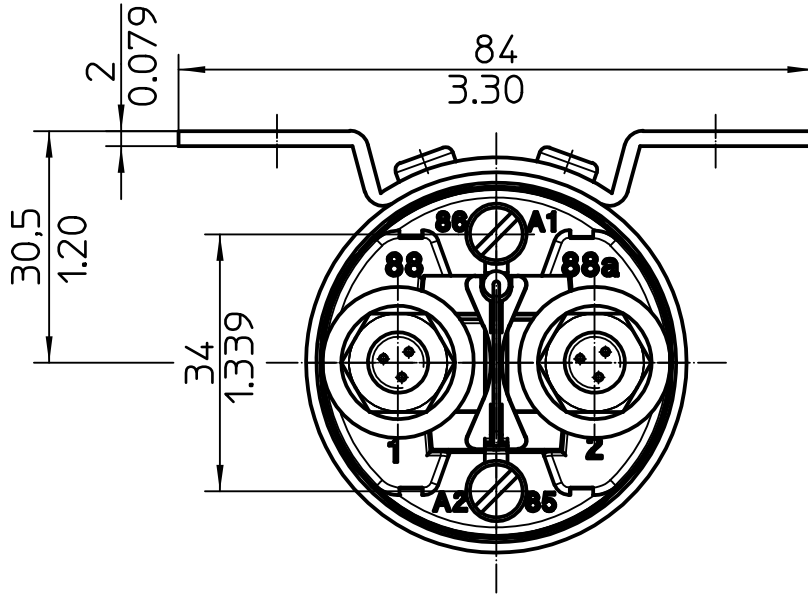
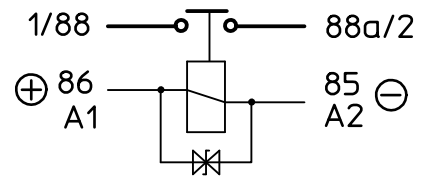


200AMP POWER RELAY (12VDC)

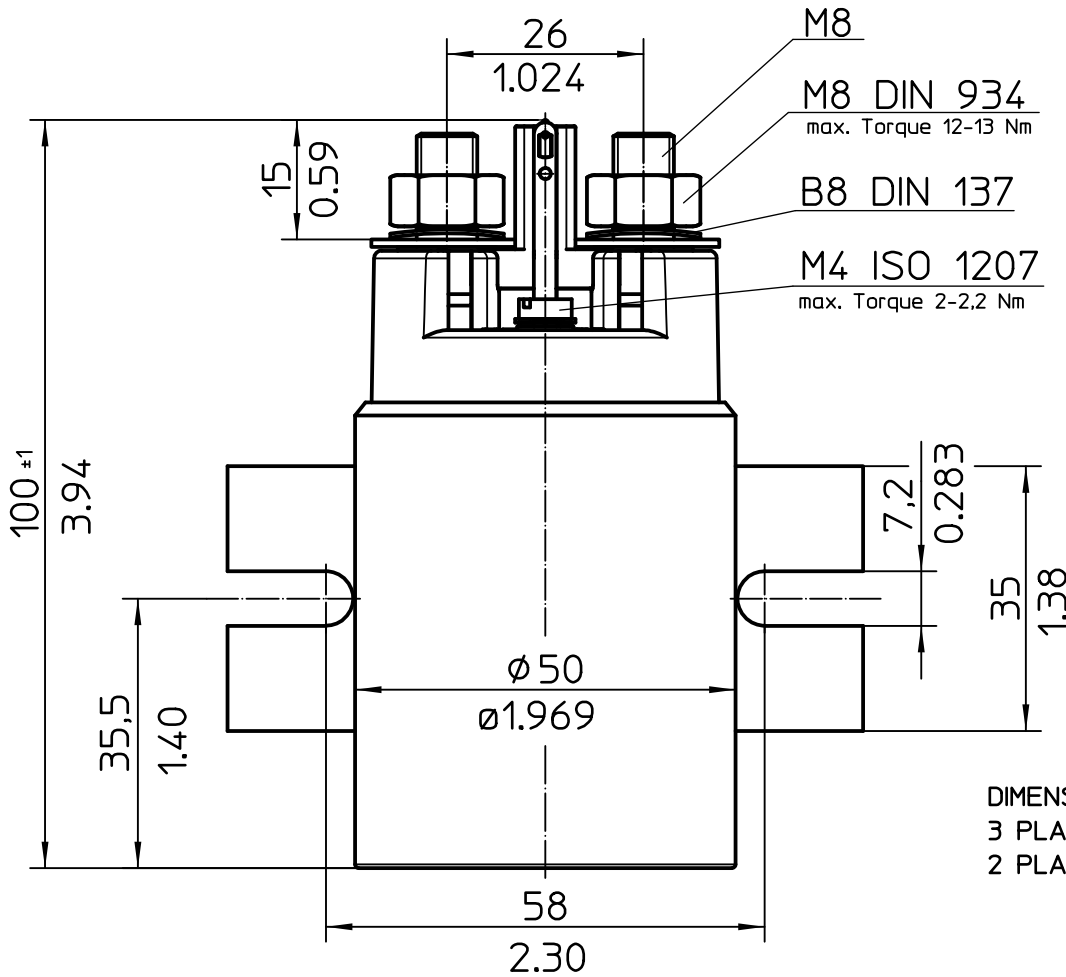
LONG FORM SIDE MOUNTING ENVIRONMENTALLY SEALED



CIRCUIT

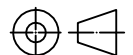


SUPPRESSION DEVICE



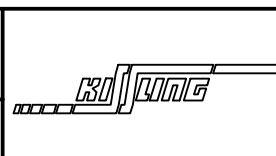
DIMENSIONAL TOLERANCES
 3 PLACE DECIMAL ±0.010
 2 PLACE DECIMAL ±0.03
 ANGULAR ±0°30'

Third Angle Projection



	Date	Name
Drawn	30.06.2014	Seege
Check	30.06.2014	Grind

mm Inch	Scale 1:1
General Tolerances DIN ISO 2768 cL	



Drawing No:	29-214-11
NSN:	

TECHNICAL DATA

ENVIRONMENTAL CHARACTERISTICS

TEMPERATURE RANGE.....-40°C TO +85°C (-40°C F TO +185°F)
 MAX. ALTITUDE RATING.....50 000 FT
 SEAL.....IP67(6FEET/0,2BAR-1MIN.)I.A.W.IEC 529
 IP6K9K (STEAM PRESSURE) DIN 40050 PART 9 AND I.A.W.IEC 529
 SHOCK G-LEVEL.....6 G/ 11 MSEC
 VIBRATION.....4 G/ 50-2000 Hz

ELECTRICAL CHARACTERISTICS

MIN.INSULATION RESISTANCE; INITIAL.....100 MEGOHMS
 AFTER LIFE OR ENVIRONMENTAL.....50 MEGOHMS
 DIELECTRIC WITHSTANDING VOLTAGE SEA-LEVEL 1 MINUTE.....1 050 VOLTS
 ALTITUDE 1 MINUTE.....500 VOLTS
 MAX. CONTACT DROP INITIAL.....0.15 VOLTS
 AFTER LIFE TEST.....0.175 VOLTS
 OVERLOAD.....1600 AMP FOR 1 SEC,400 AMP FOR 20 SEC
 DUTY RATING.....200 AMP CONTINUOUS

RATED CONTACT LOAD (12 VDC)

RESISTIVE LOAD.....200 000 CYCLES WITH 200 AMP
 ENDURANCE.....2 000 000 CYCLES

OPERATING CHARACTERISTICS

COIL DATA

VOLTAGE RANGE.....9-16 VDC
 NOMINAL VOLTAGE.....12 VDC
 PICK UP VOLTAGE MAX.....9 VDC FULL TEMP. RANGE
 DROP OUT VOLTAGE MAX..... \leq 2 VDC FULL TEMP. RANGE
 COIL RESISTANCE.....15 OHMS \pm 10%
 COIL CURRENT APPROX.....0,8 AMP
 COIL POWER APPROX.....10 WATT

TIME-MILLISECONDS-MAX. CONTACT (NO)


OPERATE.....40
 BOUNCE.....5
 RELEASE.....20

WHEIGT.....0.80 KG = 1.76 POUND MAX.

WIRE SECTION(AT NOMINAL LOAD).....MIN.70mm²/0.109 sq.in./AWG 00

MOUNTING POSITION.....OPTIONAL

SUBJECT TO CHANGE

	Date	Name	mm	Scale		Drawing No:
Drawn	30.06.2014	Seeger	←	1:1		29-214-11
Check	04.08.2015	Mielk	General Tolerances			NSN.: