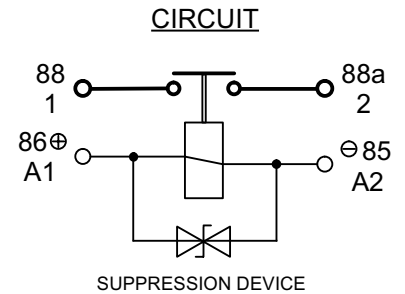
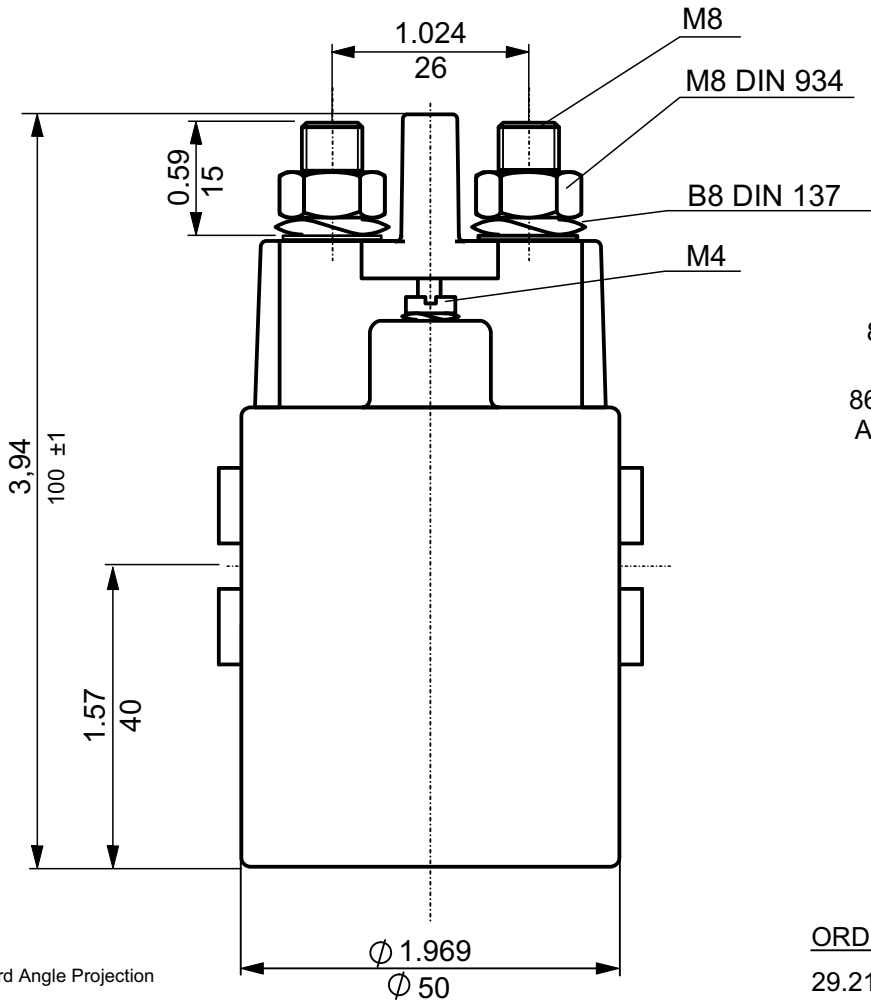
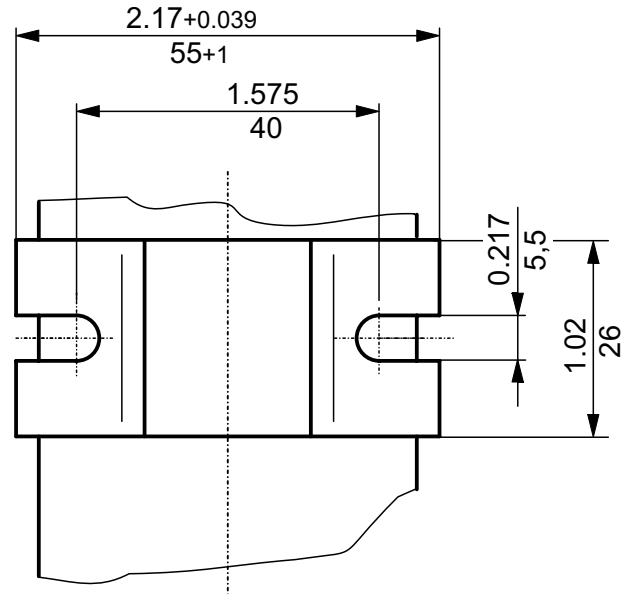


MOUNTING DIMENSION



DIMENSIONAL TOLERANCES

3 PLACE DECIMAL ± 0.010
2 PLACE DECIMAL ± 0.03
ANGULAR ± 0°30'

ORDER-NO.

29.212.02 WITHOUT SUPPRESSION
29.212.12 WITH SUPPRESSION

Third Angle Projection



1996	Date	Name	Inch mm	Scale 1:1
Design	27.06.	Bo		
Check	27.06.	Grupp	General Tolerances DIN 7168 m ISO 2768	
Appro				



Drawing No. ≙ Order No.

29.212.02
29.212.12

