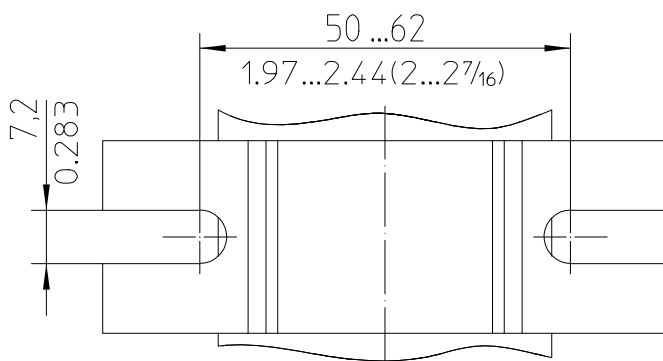
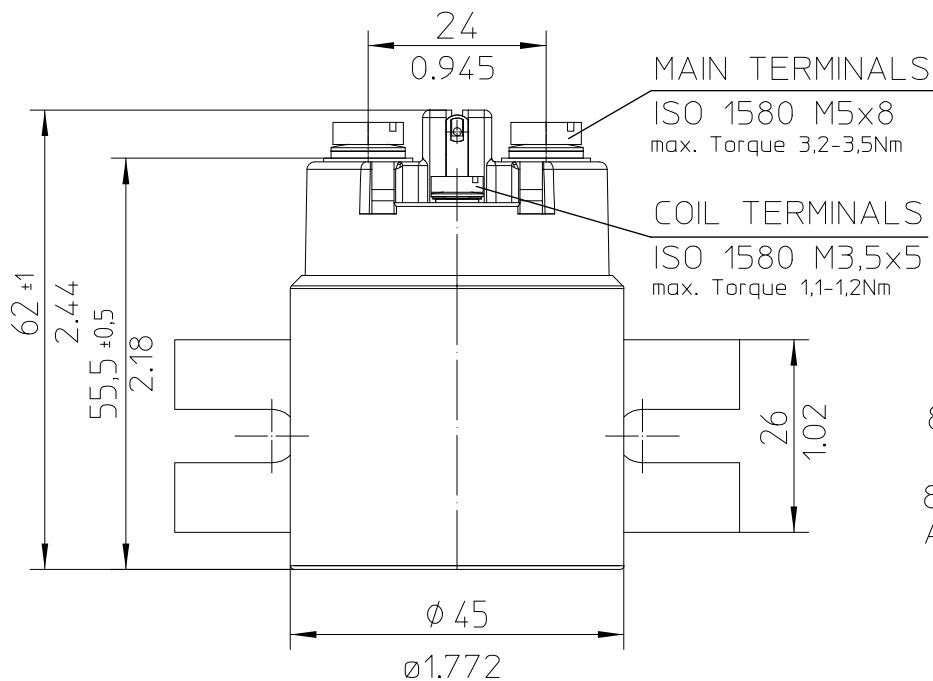


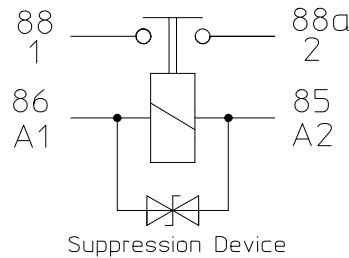
MOUNTING DIMENSION



For this drawing we reserve the copyright in accordance with DIN ISO 16016



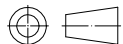
CIRCUIT



DIMENSIONAL TOLERANCES

- 3 PLACE DECIMAL ±0.010
- 2 PLACE DECIMAL ±0.03
- ANGULAR ±0°30'

Third Angle Projection



	Date	Name
Create	03.07.2008	Hamar
Edited	21.08.2019	Mielk
Check	22.08.2019	Kaise

mm ↔ Inch	Scale 1:1
General Tolerances DIN ISO 2768 cL	



Drawing No:	29-014-12
NSN:	

Technical DataENVIRONMENTAL CHARACTERISTICS

TEMPERATURE RANGE ..... -40°C TO +85°C (-40°F TO +185°F)  
 MAX. ALTITUDE RATING ..... 50 000 FT  
 SEAL ..... IP67 (6 FT/ 0.2BAR 1 MIN.) I.A.W. IEC 529  
 IP6K9K (STEAM PRESSURE) DIN 40050 PART 9 AND I.A.W. IEC 529  
 SHOCK G-LEVEL ..... 6G/ 11 MSEC  
 VIBRATION ..... 4G/ 50-2000 Hz

ELECTRICAL CHARACTERISTICS

MIN. INSULATION RESISTANCE INITIAL ..... 100 MEGOHMS  
 AFTER LIVE OR ENVIRONMENTAL ..... 50 MEGOHMS  
 DIELECTRIC WITHSTANDING VOLTAGE ..... SEA LEVEL 1 MINUTE: 1050 VOLTS  
 ALTITUDE 1 MINUTE: 500 VOLTS  
 MAX. CONTACT DROP INITIAL ..... 0,15 VDC  
 AFTER LIFE TEST ..... 0,175 VDC  
 OVERLOAD ..... 600 AMP FOR 1 SEC, 150 AMP FOR 20 SEC  
 DUTY RATING ..... 75 AMP CONTINUOUS

RATED CONTACT LOAD (28 VDC)

RESISTIVE LOAD ..... 200 000 CYCLES WITH 75 AMP  
 ENDURANCE ..... 2 000 000 CYCLES

OPERATING CHARACTERISTICSCOIL DATA

VOLTAGE RANGE ..... 18-32 VDC  
 NOMINAL VOLTAGE ..... 28 VDC  
 PICK UP VOLTAGE MAX. .... 18 VDC FULL TEMP. RANGE  
 DROP OUT VOLTAGE MAX. .... ≤ 4 VDC FULL TEMP. RANGE  
 COIL RESISTANCE ..... 76 OHMS ±10%  
 COIL CURRENT APPROX. .... 0,37 AMP  
 COIL POWER APPROX. .... 10 W

TIME-MILLISECONDS-MAX.

OPERATE ..... 35  
 BOUNCE ..... 5  
 RELEASE ..... 15

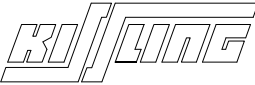
WEIGHT ..... 0,40 KG = 0.88 POUND MAX.

WIRE SECTION (AT NOMINAL LOAD) ..... MIN. 10mm<sup>2</sup>/ 0.016 sq. in./ AWG 7

MOUNTING POSITION ..... OPTIONAL

SUBJECT TO CHANGE

Für diese Zeichnung behalten wir uns das Urheberrecht gemäß DIN ISO 16016 vor

	Datum	Name	Allgemeintoleranz	Maßstab		Zeichnungs-Nr.:
Erstel.	03.07.2008	Hamar	DIN ISO 2768 cL	1:1		29-014-12
Bearb.	21.08.2019	Mielk				Vers.Nr.:
Freig.	22.08.2019	Kaise				