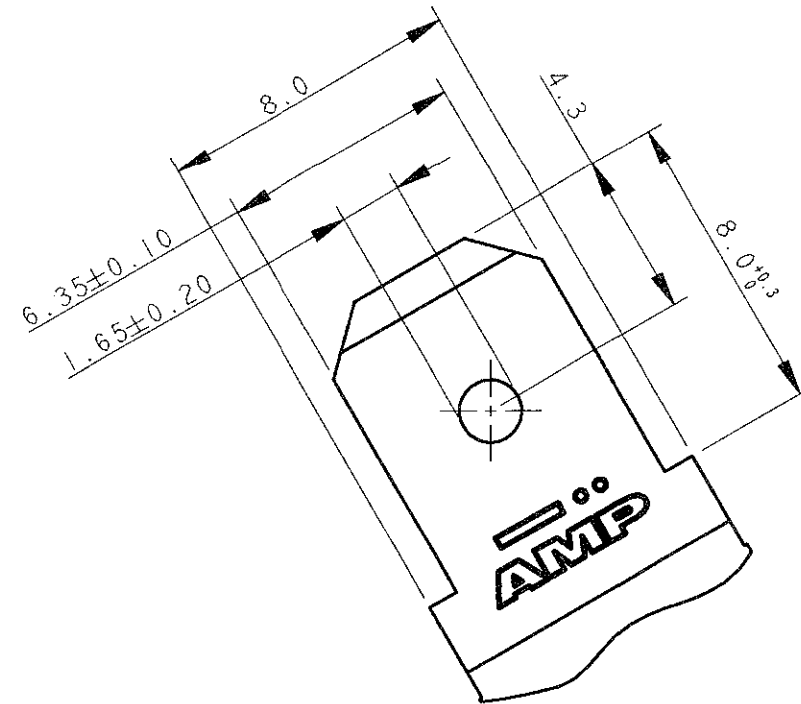
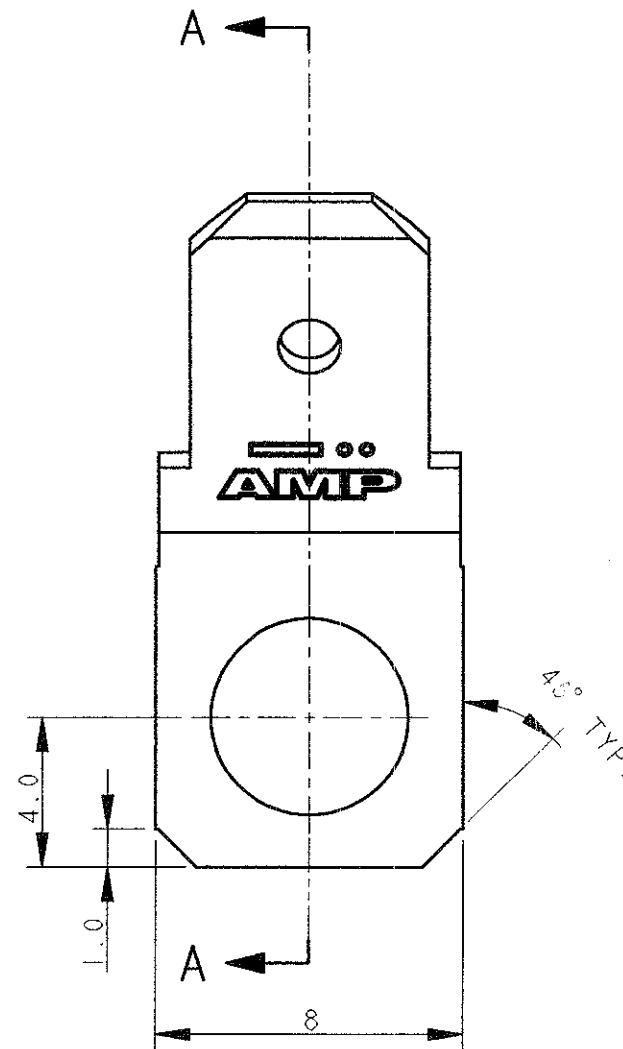
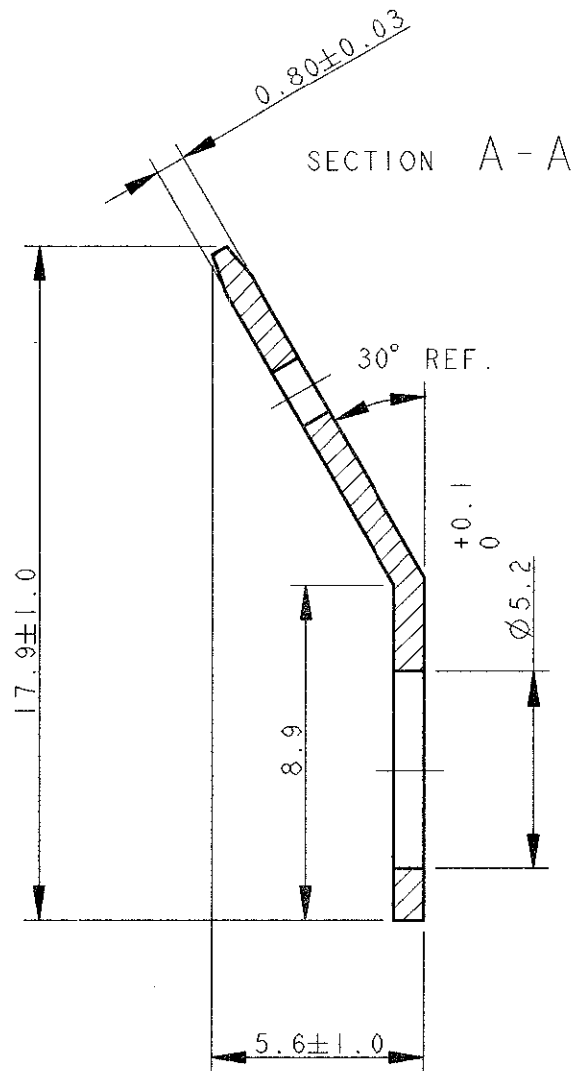


LOC	DIST	REVISIONS					
		P	LTR	DESCRIPTION	DATE	DWN	APVD
		A		FIRST ISSUE, ET00-0037-01	05 FEB 2001	H. Y.	C. T.
		-	-				



STAGNATO (TIN PLATED)	OTTONE (BRASS)	284688-2	A
FINITURA (FINISH)	MATERIALE (MATERIAL)	PART NO.	REV

THIS DRAWING IS A CONTROLLED DOCUMENT FOR TYCO ELECTRONICS CORPORATION
IT IS SUBJECT TO CHANGE AND THE CONTROLLING ENGINEERING ORGANIZATION
SHOULD BE CONTACTED FOR THE LATEST REVISION.

DIMENSIONS: mm	TOLERANCES UNLESS OTHERWISE SPECIFIED: 0 PLC ± 1 PLC ±0.3 2 PLC ± 3 PLC ± 4 PLC ± ANGLES ±2°	DWN H. YAALI 30 JAN 2001	AMP ITALIA S.p.A. C.so F.lli Cervi 15, COLLEGNO (TO)
MATERIAL SEE TABLE	FINISH SEE TABLE	CHK C. TARTARI	
		APVD -	NAME FASTON* Conn. .250" sr. TAB CONTACT 30 DEGREE BENT (LOOSE PIECE FORM)
		PRODUCT SPEC -	SIZE A3
		APPLICATION SPEC -	CAGE CODE 00779
		WEIGHT -	DRAWING NO C-284688
		CUSTOMER DRAWING	RESTRICTED TO -
		SCALE 5:1	SHEET 1 OF 1
			REV A