

THIS DRAWING IS UNPUBLISHED.

RELEASED FOR PUBLICATION

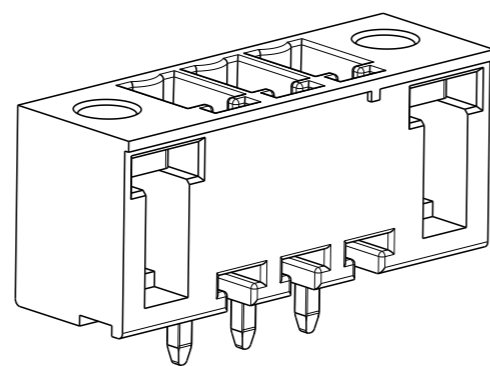
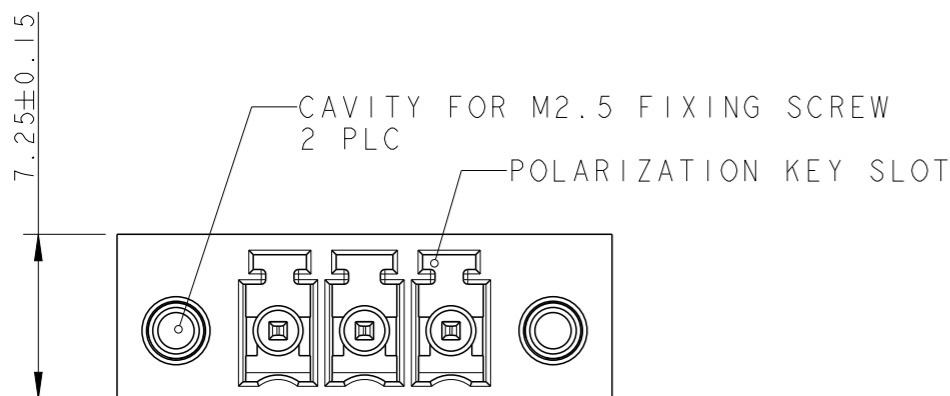
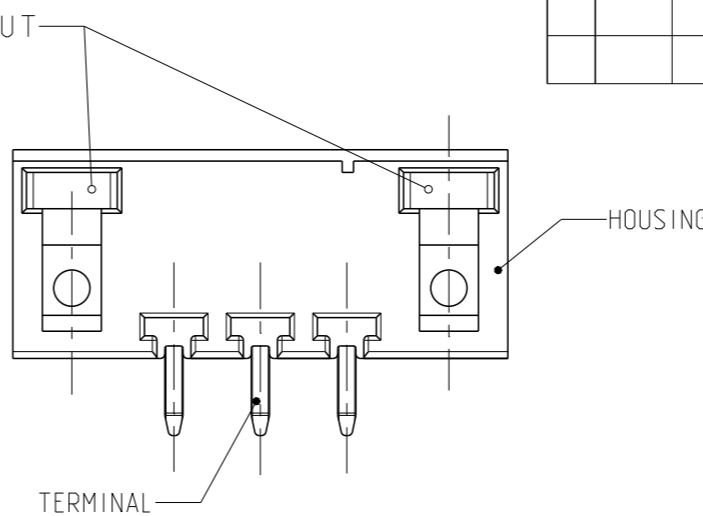
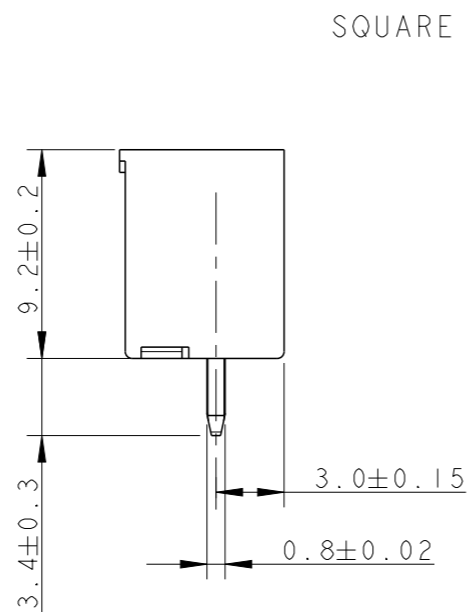
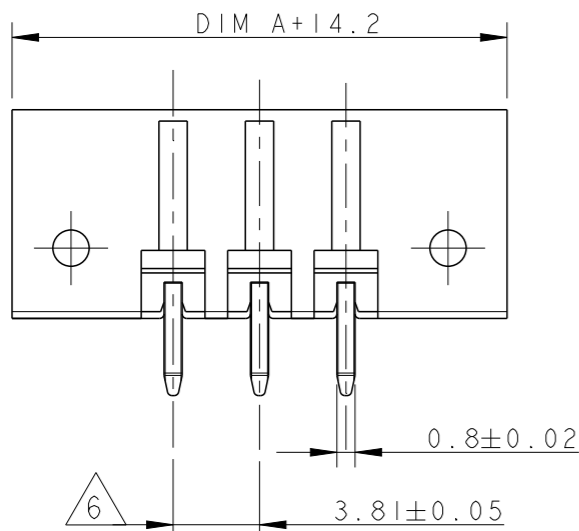
20

© COPYRIGHT 20 BY -

ALL RIGHTS RESERVED.

REVISIONS

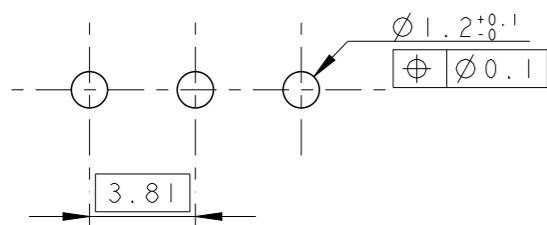
P	LTR	DESCRIPTION	DATE	DWN	APVD
	B2	SQUARE NUT PART INFORMATION ADDED	11MAY2018	RK	PS



284519-3 AS SHOWN

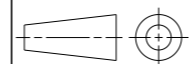
OBSOLETE	83.82	23	<del>2-284519-3</del>
	80.01	22	2-284519-2
	76.20	21	2-284519-1
	72.39	20	2-284519-0
	68.58	19	1-284519-9
	64.77	18	1-284519-8
	60.96	17	1-284519-7
OBSOLETE	57.15	16	1-284519-6
	53.34	15	1-284519-5
	49.53	14	1-284519-4
	45.72	13	1-284519-3
	41.91	12	1-284519-2
	38.10	11	1-284519-1
	34.29	10	1-284519-0
	30.48	9	284519-9
	26.67	8	284519-8
	22.86	7	284519-7
19.05	6	284519-6	
15.24	5	284519-5	
11.43	4	284519-4	
7.62	3	284519-3	
3.81	2	284519-2	
DIM A	NO OF POS	PART NUMBER	

RECOMMENDED PC BOARD LAYOUT



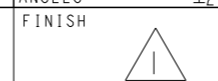
THIS DRAWING IS A CONTROLLED DOCUMENT.

DIMENSIONS: mm



TOLERANCES UNLESS OTHERWISE SPECIFIED:

0 PLC ±0.3  
 1 PLC ±0.3  
 2 PLC ±0.25  
 3 PLC ±0.25  
 4 PLC ±0.25  
 ANGLES ±2



DWN 07FEB2002

E. ZANOLINI

CHK 07FEB2002

E. ZANOLINI

APVD 07FEB2002

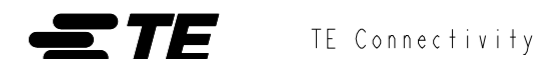
D. BIEVENOUR

PRODUCT SPEC

APPLICATION SPEC

WEIGHT

CUSTOMER DRAWING



NAME  
 TERMINAL BLOCK HEADER ASSEMBLY  
 STRAIGHT, 3.81mm PITCH  
 WITH THREADED FLANGE

SIZE CAGE CODE DRAWING NO RESTRICTED TO

A300779 C-284519

SCALE 3:1 SHEET 1 OF 2 REV B2

THIS DRAWING IS UNPUBLISHED.

RELEASED FOR PUBLICATION

20

© COPYRIGHT 20 BY -

ALL RIGHTS RESERVED.

REVISIONS

P	LTR	DESCRIPTION	DATE	DWN	APVD
	-	SEE SHEET 1	-	-	-

NOTES:



MATERIALS AND FINISH

HOUSING : PA 6.6, UL 94-V0, COLOR GREEN  
 TERMINAL : PHOSPHOR BRONZE, TIN PLATED  
 SQUARE NUT : BRASS, NICKEL PLATED.

2. MECHANICAL

MAX. INSERTION FORCE PER POLE : 3.0 N  
 MIN. WITHDRAWAL FORCE PER POLE : 1.5 N  
 MIN. PC BOARD HOLES DIAMETER : 1.2 mm  
 MAX. PC BOARD THICKNESS : 2.4 mm

3. ELECTRICAL



WIRE RANGE : 14-30 AWG  
 MAX. VOLTAGE : 300 V  
 MAX CURRENT : 11 A  
 CONTACT RESISTANCE : <15 m Ohm  
 INSULATION RESISTANCE : >1000 M Ohm (500V DC)

4. OPERATING TEMPERATURE RANGE: -40°C TO +110°C

5. CONNECTOR ASSEMBLY INCLUDED 2 SQUARE NUTS LOADED IN CAVITY



NOT CUMULATIVE TOLERANCE

THIS DRAWING IS A CONTROLLED DOCUMENT.		DWN E. ZANOLINI 07FEB2002	 TE Connectivity	
DIMENSIONS: mm		CHK E. ZANOLINI 07FEB2002		
TOLERANCES UNLESS OTHERWISE SPECIFIED:		APVD D. BIEVENOUR 07FEB2002	NAME TERMINAL BLOCK HEADER ASSEMBLY STRAIGHT, 3.81mm PITCH WITH THREADED FLANGE	
0 PLC ± 1 PLC ±0.3 2 PLC ±0.25 3 PLC ± 4 PLC ± ANGLES ±2		PRODUCT SPEC -	RESTRICTED TO -	
MATERIAL		APPLICATION SPEC -	SIZE A300779	CAGE CODE C-284519
FINISH		WEIGHT -	DRAWING NO	
		CUSTOMER DRAWING		SCALE 3:1
				SHEET 2 OF 2
				REV B2