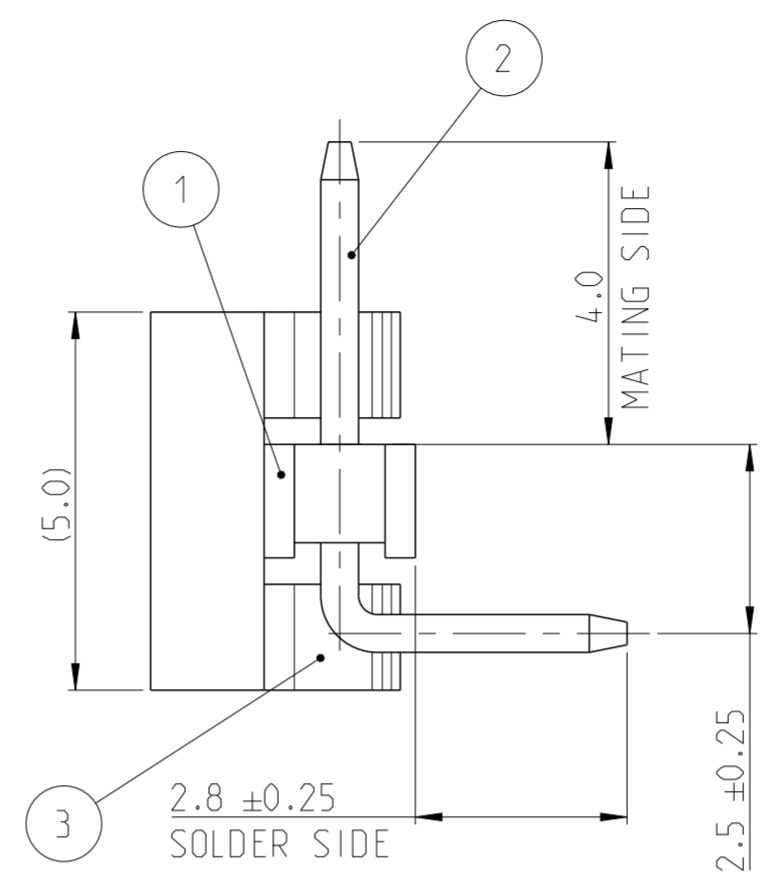
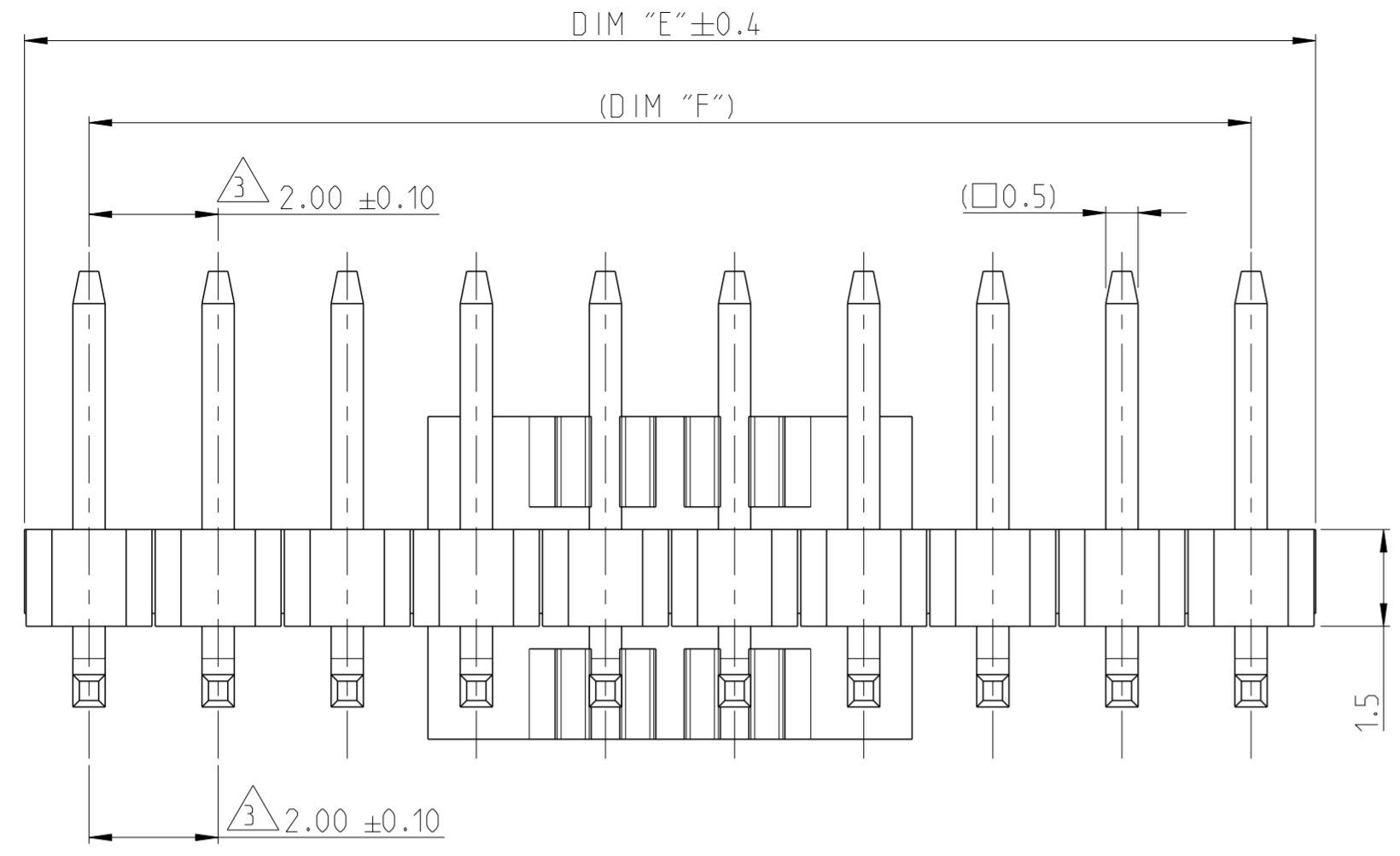
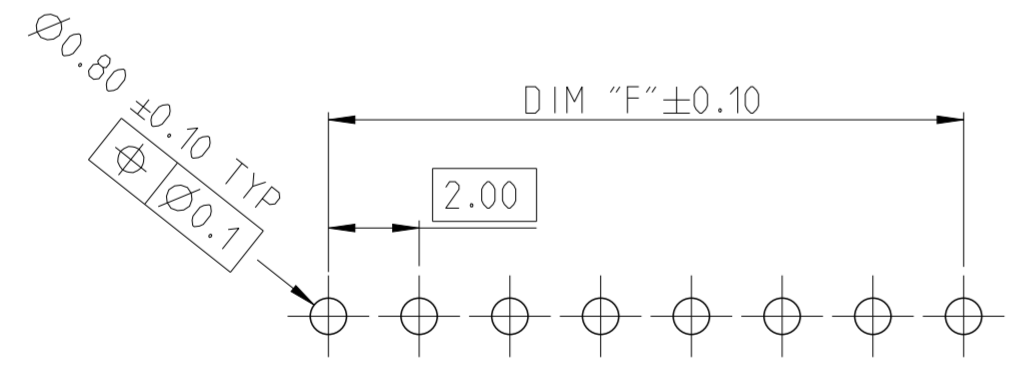
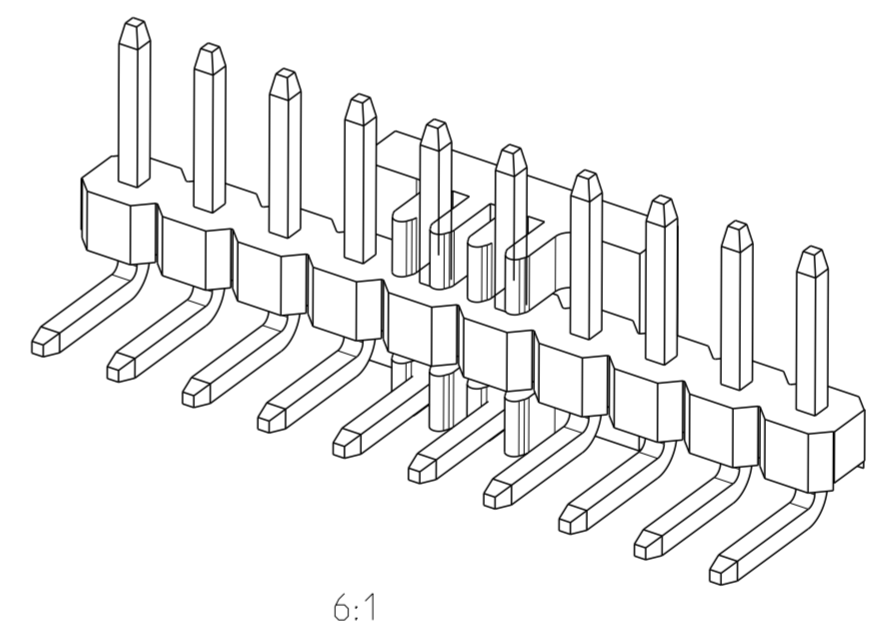
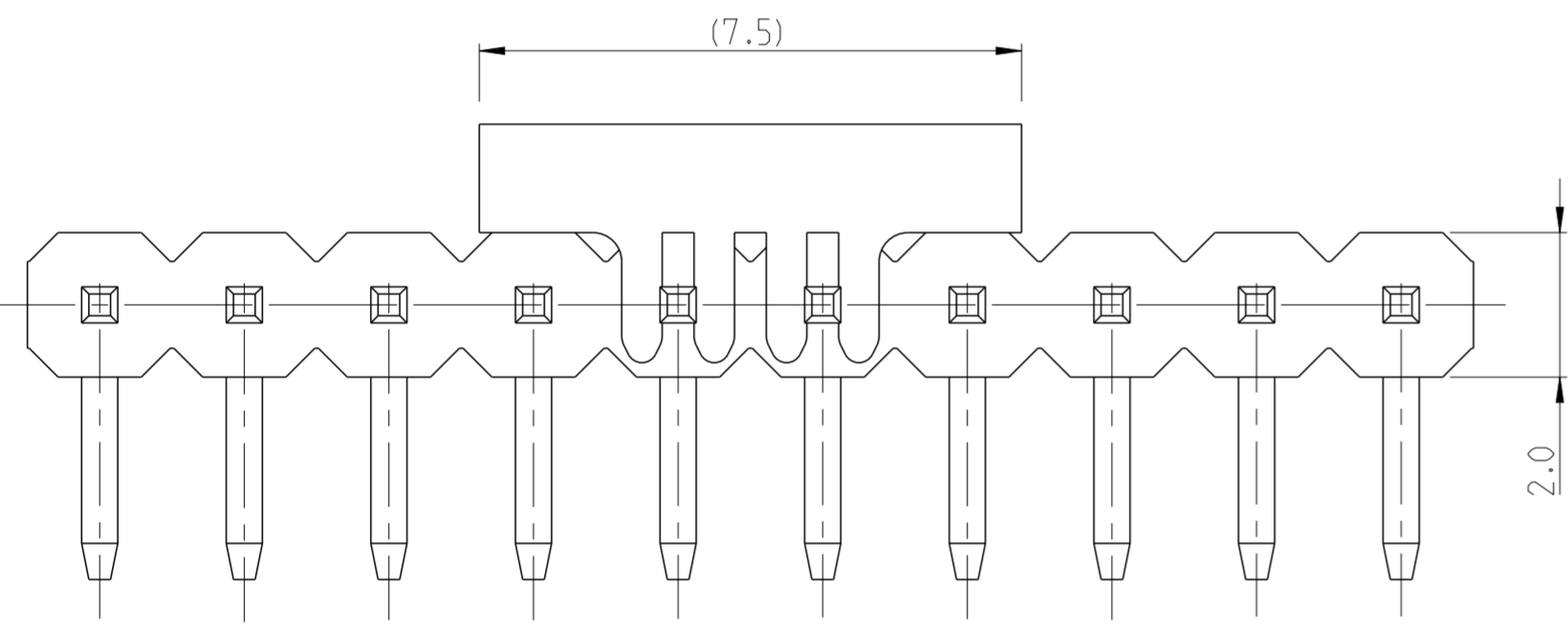


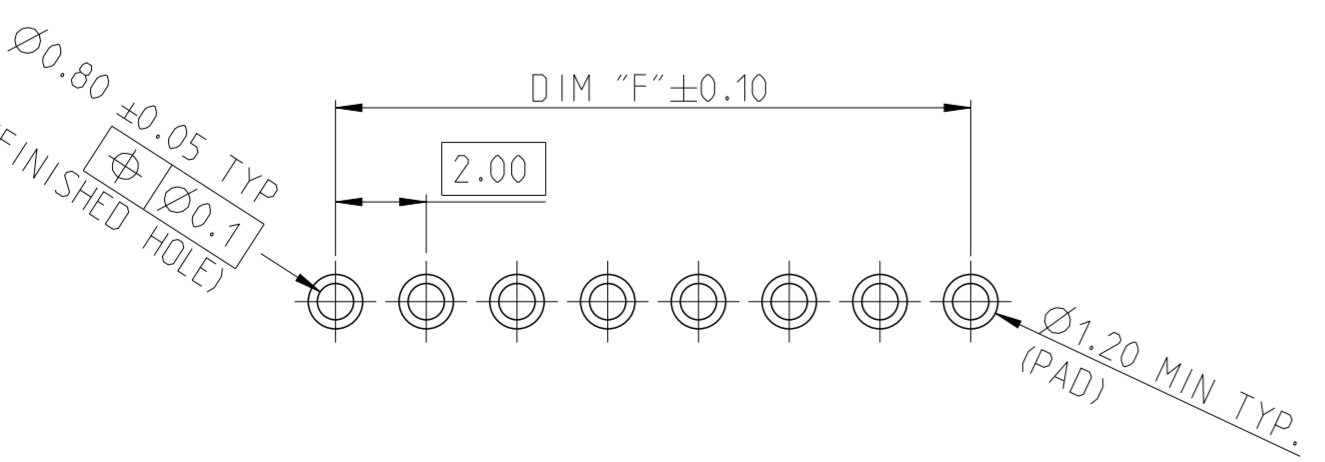
P	LTR	DESCRIPTION	DATE	DWN	APVD
A		RELEASE TO PRODUCTION	27AUG2019	AY	PS
A1		REMOVED TOLERANCE FROM DIM F	17DEC2019	AY	PS



- NOTES:
- MATERIAL
HOUSING & P&P CAP : HIGH TEMPERATURE THERMOPLASTIC, UL94-V0;
COLOR- BLACK
CONTACT PIN : COPPER ALLOY
FINISH : MIN. 2.0 μm BRIGHT TIN OVER NICKEL UNDER PLATING.
 - PACKAGING: TAPE AND REEL (WITH PICK AND PLACE CAP).
 - TOLERANCE NOT CUMULATIVE.
 - CUTTING BURR MAX. 0.25 mm.



RECOMMENDED PCB HOLE PATTERN FOR THROUGH HOLE WAVE



RECOMMENDED PCB HOLE PATTERN FOR THROUGH HOLE REFLOW /PIN-IN-PASTE

1-2842117-0 AS SHOWN

48.0	50.0	25	2-2842117-5
46.0	48.0	24	2-2842117-4
44.0	46.0	23	2-2842117-3
42.0	44.0	22	2-2842117-2
40.0	42.0	21	2-2842117-1
38.0	40.0	20	2-2842117-0
36.0	38.0	19	1-2842117-9
34.0	36.0	18	1-2842117-8
32.0	34.0	17	1-2842117-7
30.0	32.0	16	1-2842117-6
28.0	30.0	15	1-2842117-5
26.0	28.0	14	1-2842117-4
24.0	26.0	13	1-2842117-3
22.0	24.0	12	1-2842117-2
20.0	22.0	11	1-2842117-1
18.0	20.0	10	1-2842117-0
16.0	18.0	9	2842117-9
14.0	16.0	8	2842117-8
12.0	14.0	7	2842117-7
10.0	12.0	6	2842117-6
8.0	10.0	5	2842117-5
6.0	8.0	4	2842117-4
4.0	6.0	3	2842117-3
2.0	4.0	2	2842117-2
DIM "F"	DIM "E"	POS	TE PN

THIS DRAWING IS A CONTROLLED DOCUMENT.

DIMENSIONS: mm	TOLERANCES UNLESS OTHERWISE SPECIFIED:	DWN ANKIT YADAV 01AUG2019	TE Connectivity NAME AMPMODU 2mm BREAKAWAY HEADER, SINGLE ROW, RIGHT ANGLE, Sn, T/R PICK AND PLACE CAP SIZE A2 CAGE CODE 00779 DRAWING NO C-2842117 RESTRICTED TO - SCALE 5:1 SHEET 1 OF 1 REV A1
0 PLC ±	1 PLC ±0.2	CHK KARTHIK JK 14AUG2019	
2 PLC ±0.15	3 PLC ±	APVD PRASHANTH S 16AUG2019	
4 PLC ±	ANGLES ±°	PRODUCT SPEC 108-64040	
MATERIAL SEE NOTES	FINISH -	APPLICATION SPEC 114-32259	WEIGHT -
PICK AND PLACE CAP 3	CONTACT PIN 2	CUSTOMER DRAWING	
HOUSING 1	DESCRIPTION ITEM NO.		