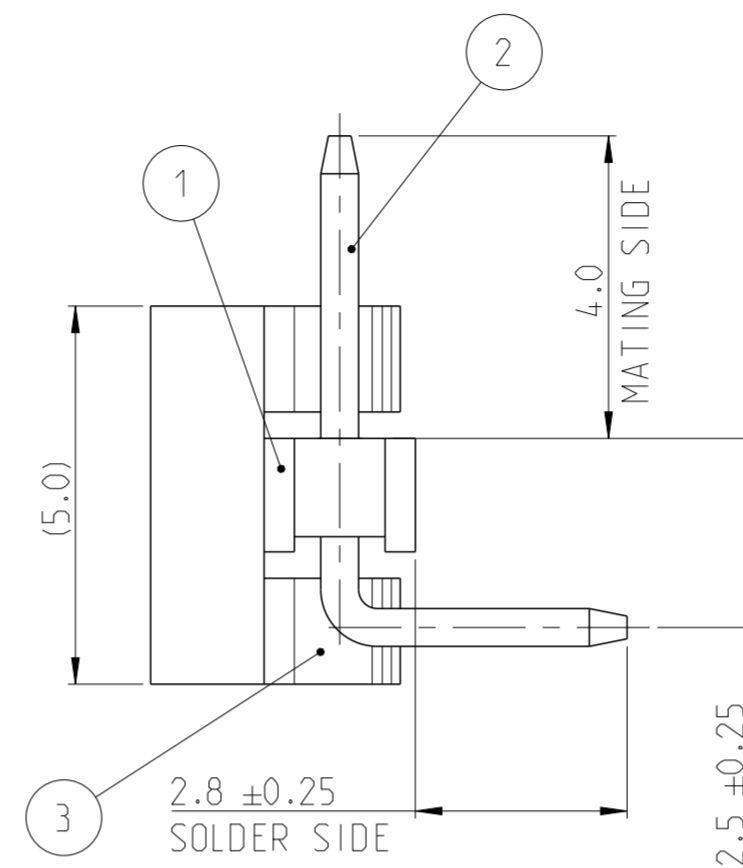
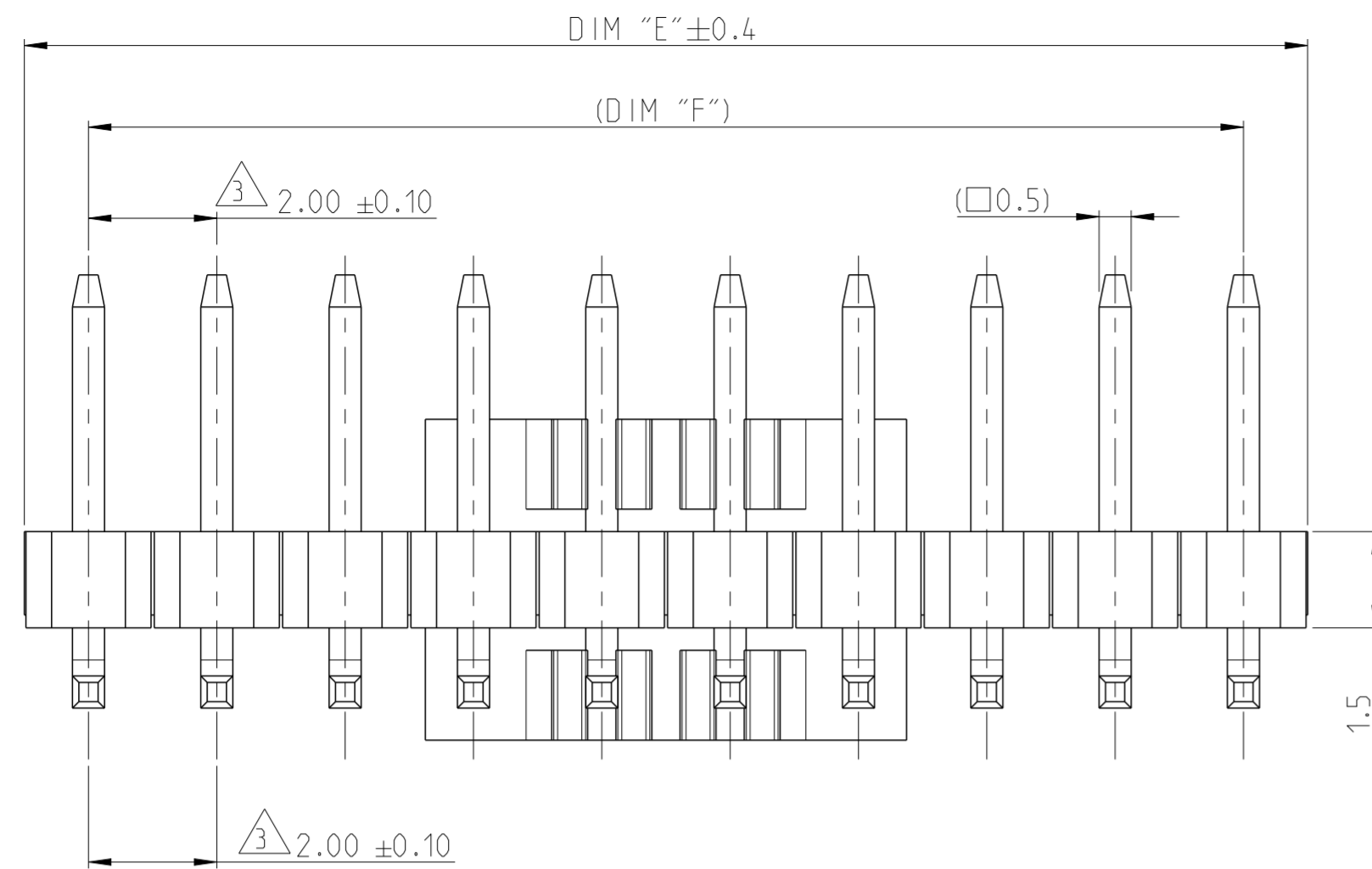
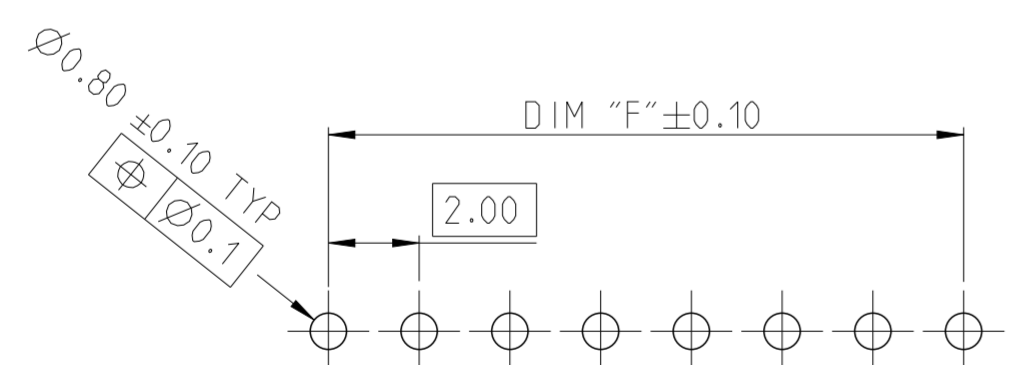
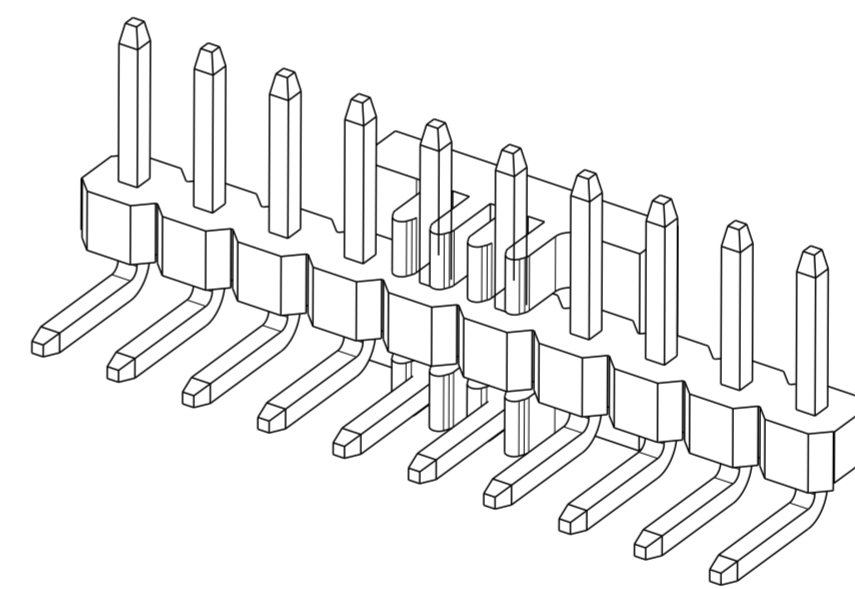
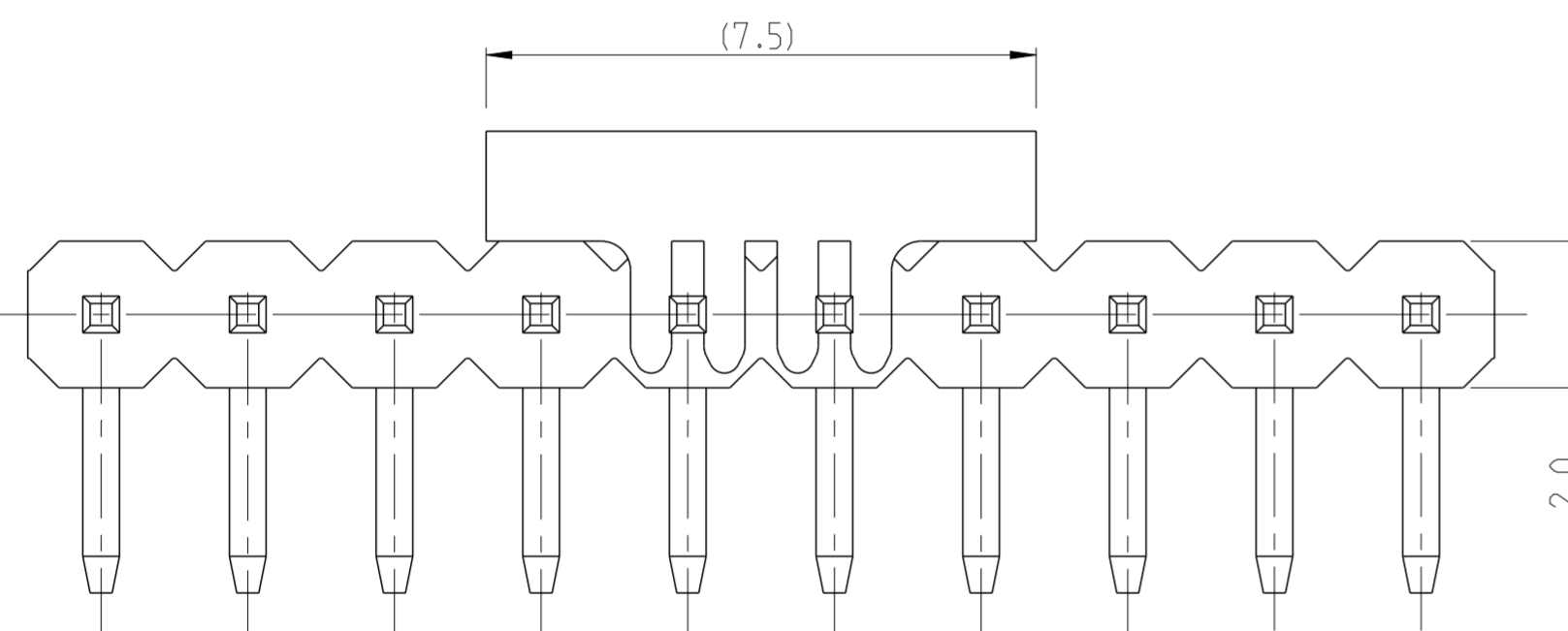


P	LTR	DESCRIPTION	DATE	DWN	APVD
A		RELEASE TO PRODUCTION	27AUG2019	AY	PS
A1		REMOVED TOLERANCE FROM DIM F	17DEC2019	AY	PS

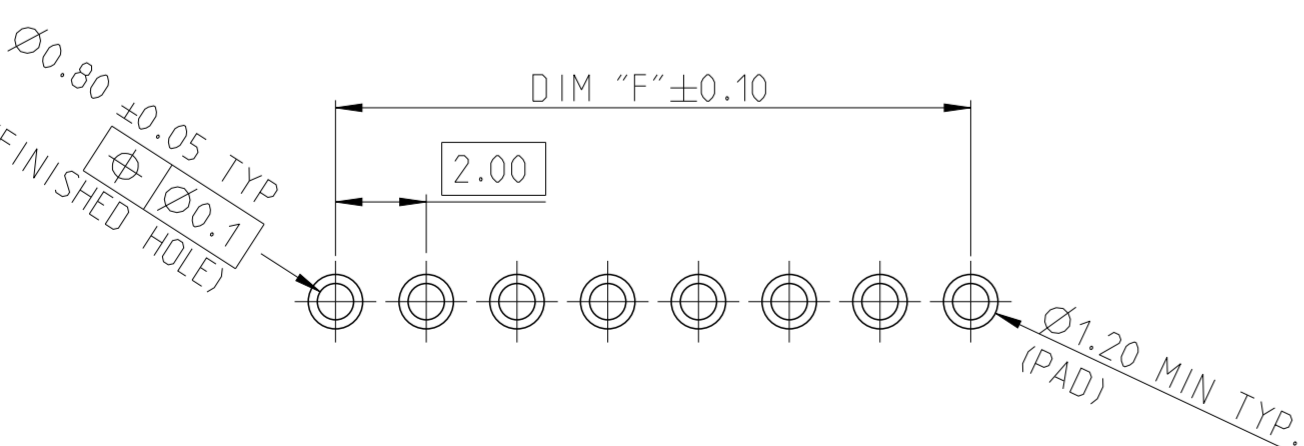


NOTES:

- MATERIAL
HOUSING & P&P CAP : HIGH TEMPERATURE THERMOPLASTIC, UL94-V0;
COLOR- BLACK
CONTACT PIN : COPPER ALLOY
FINISH :
MATING SIDE: MIN. 0.76 μm GOLD OVER NICKEL UNDER PLATING.
SOLDER SIDE: MIN. 2.0 μm BRIGHT TIN OVER NICKEL UNDER PLATING.
- PACKAGING: TUBE (WITH PICK AND PLACE CAP).
- TOLERANCE NOT CUMULATIVE.
- CUTTING BURR MAX. 0.25 mm.



RECOMMENDED PCB HOLE PATTERN FOR THROUGH HOLE WAVE



RECOMMENDED PCB HOLE PATTERN FOR THROUGH HOLE REFLOW/PIN-IN-PASTE

1-2842116-0 AS SHOWN

DIM "F"	DIM "E"	POS	TE PN
48.0	50.0	25	2-2842116-5
46.0	48.0	24	2-2842116-4
44.0	46.0	23	2-2842116-3
42.0	44.0	22	2-2842116-2
40.0	42.0	21	2-2842116-1
38.0	40.0	20	2-2842116-0
36.0	38.0	19	1-2842116-9
34.0	36.0	18	1-2842116-8
32.0	34.0	17	1-2842116-7
30.0	32.0	16	1-2842116-6
28.0	30.0	15	1-2842116-5
26.0	28.0	14	1-2842116-4
24.0	26.0	13	1-2842116-3
22.0	24.0	12	1-2842116-2
20.0	22.0	11	1-2842116-1
18.0	20.0	10	1-2842116-0
16.0	18.0	9	2842116-9
14.0	16.0	8	2842116-8
12.0	14.0	7	2842116-7
10.0	12.0	6	2842116-6
8.0	10.0	5	2842116-5
6.0	8.0	4	2842116-4

THIS DRAWING IS A CONTROLLED DOCUMENT.		DWN 01AUG2019 ANKIT YADAV
DIMENSIONS: mm		CHK 14AUG2019 KARTHIK JK
TOLERANCES UNLESS OTHERWISE SPECIFIED:		APVD 16AUG2019 PRASHANTH S
0 PLC ±	±0.2	PRODUCT SPEC 108-64040
1 PLC ±	±0.15	APPLICATION SPEC 114-32259
2 PLC ±	±	WEIGHT -
3 PLC ±	±	CUSTOMER DRAWING
4 PLC ±	±	
ANGLES ±°	±2°	
FINISH -	-	

PICK AND PLACE CAP	3
CONTACT PIN	2
HOUSING	1
DESCRIPTION	ITEM NO.

STE TE Connectivity

NAME: AMPMODU 2mm BREAKAWAY HEADER, SINGLE ROW, RIGHT ANGLE, 0.76 Au.TUBE PICK AND PLACE CAP

SIZE: A2 CAGE CODE: 00779 DRAWING NO: C-2842116 RESTRICTED TO: -

SCALE: 5:1 SHEET: 1 OF 1 REV: A1