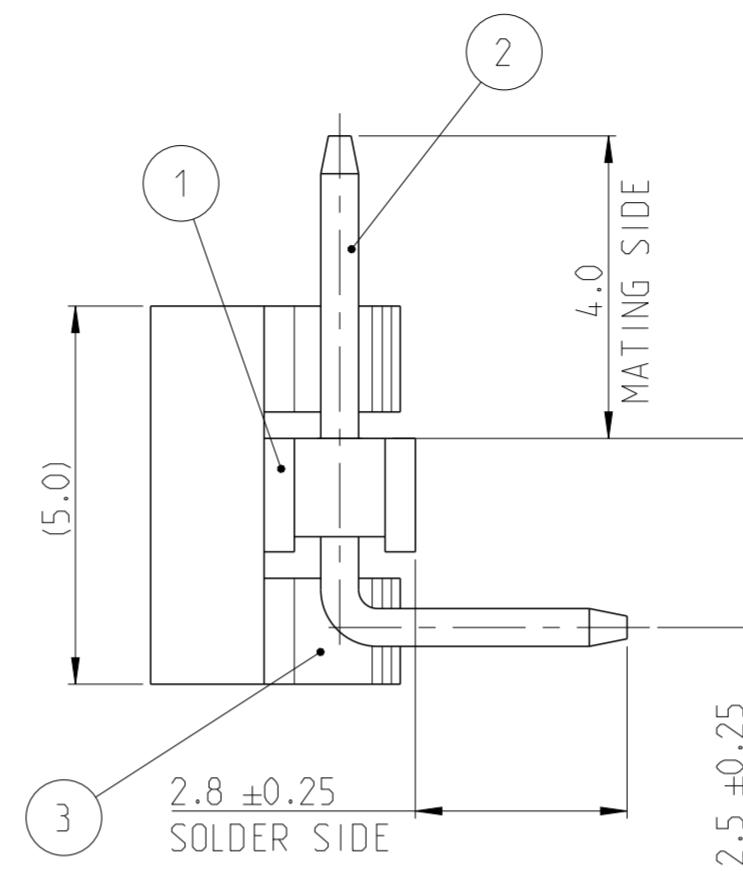
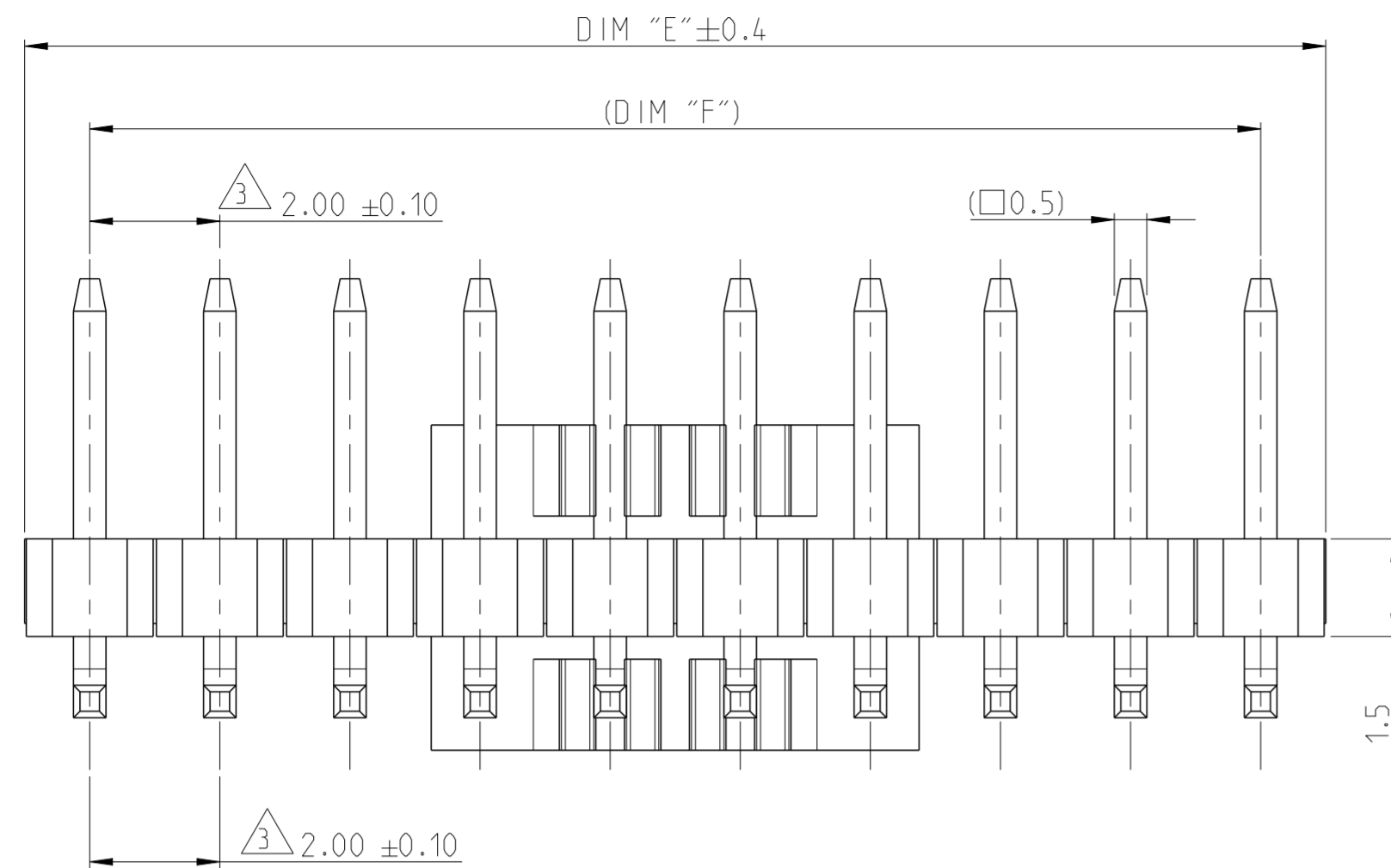
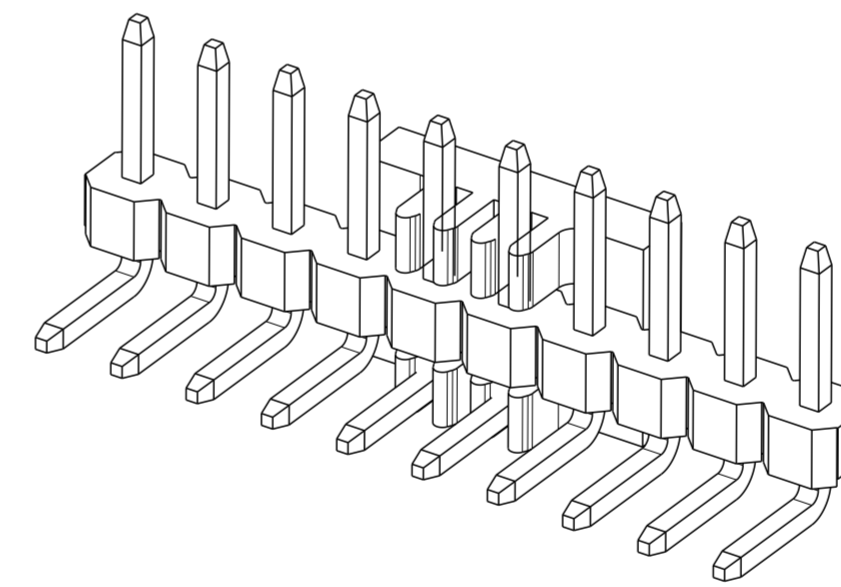
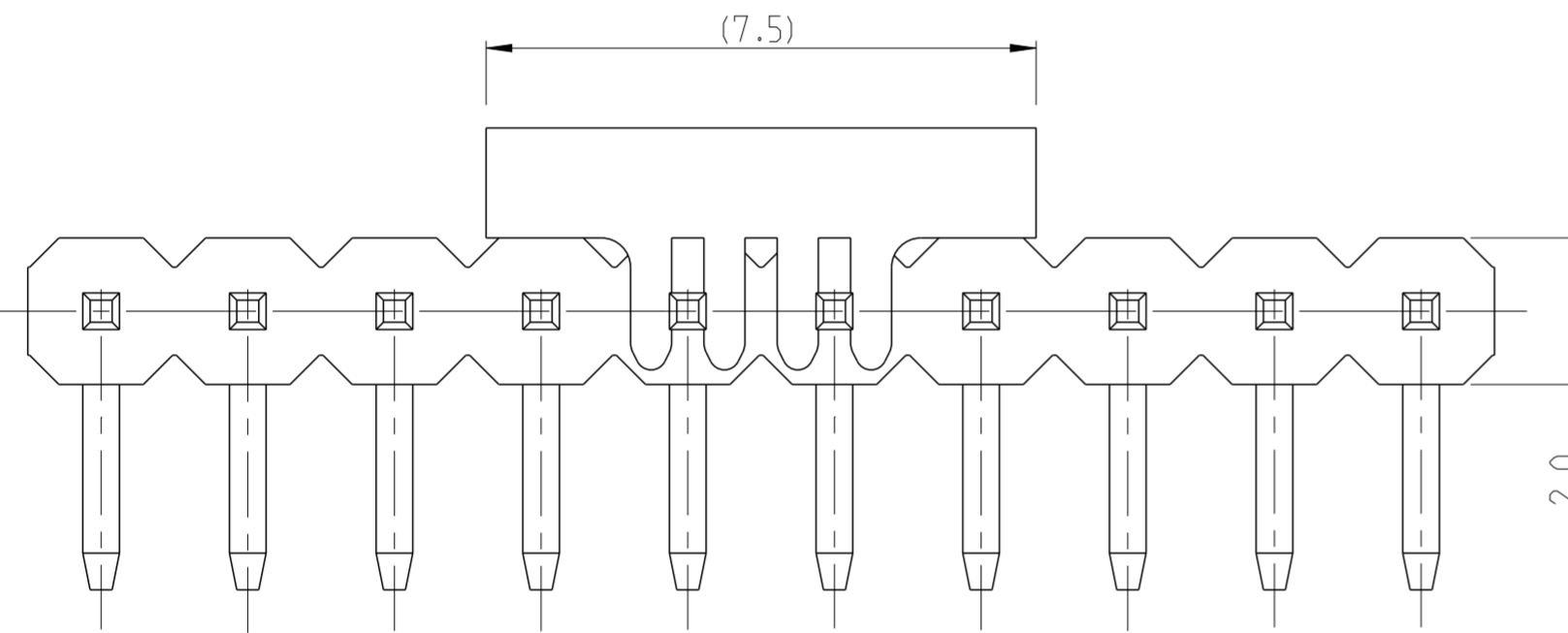


P	LTR	DESCRIPTION	DATE	DWN	APVD
A		RELEASE TO PRODUCTION	27AUG2019	AY	PS
A1		REMOVED TOLERANCE FROM DIM F	17DEC2019	AY	PS

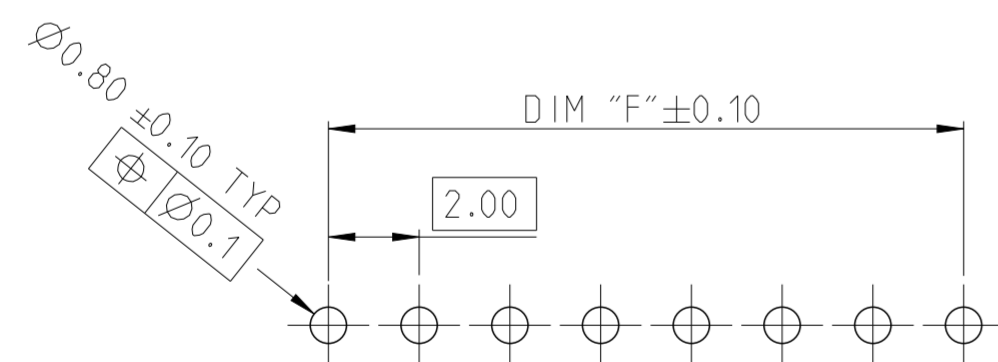


NOTES:

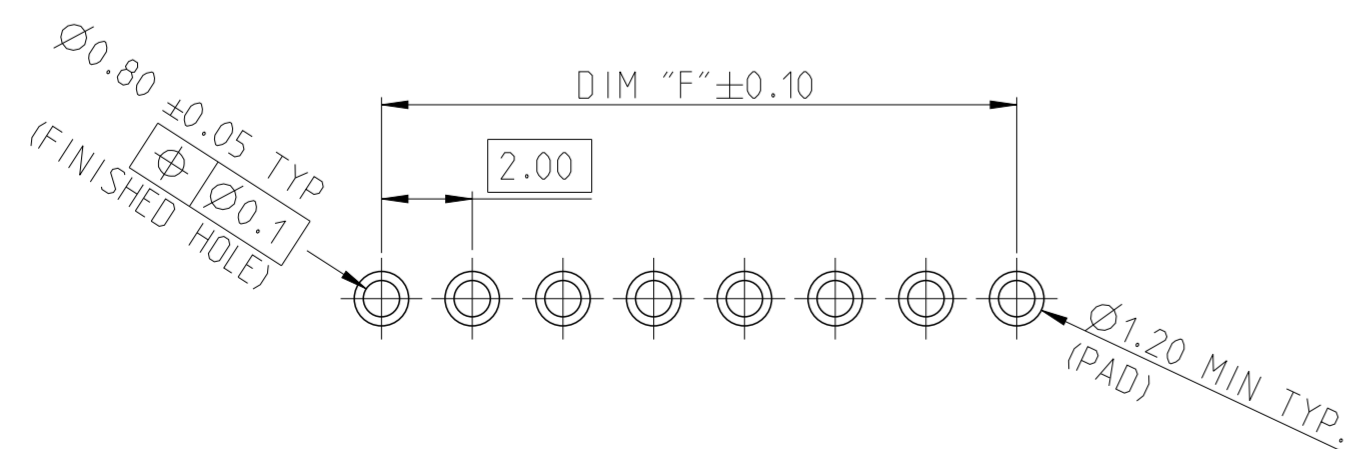
- MATERIAL
HOUSING & P&P CAP : HIGH TEMPERATURE THERMOPLASTIC, UL94-V0;
COLOR- BLACK
CONTACT PIN : COPPER ALLOY
FINISH : MIN 2.0 μm BRIGHT TIN OVER NICKEL UNDER PLATING
- PACKAGING: TUBE (WITH PICK AND PLACE CAP).
- TOLERANCE NOT CUMULATIVE.
- CUTTING BURR MAX. 0.25 mm.



6:1



RECOMMENDED PCB HOLE PATTERN FOR THROUGH HOLE WAVE



RECOMMENDED PCB HOLE PATTERN FOR THROUGH HOLE REFLOW/PIN-IN-PASTE

1-2842113-0 AS SHOWN

48.0	50.0	25	2-2842113-5
46.0	48.0	24	2-2842113-4
44.0	46.0	23	2-2842113-3
42.0	44.0	22	2-2842113-2
40.0	42.0	21	2-2842113-1
38.0	40.0	20	2-2842113-0
36.0	38.0	19	1-2842113-9
34.0	36.0	18	1-2842113-8
32.0	34.0	17	1-2842113-7
30.0	32.0	16	1-2842113-6
28.0	30.0	15	1-2842113-5
26.0	28.0	14	1-2842113-4
24.0	26.0	13	1-2842113-3
22.0	24.0	12	1-2842113-2
20.0	22.0	11	1-2842113-1
18.0	20.0	10	1-2842113-0
16.0	18.0	9	2842113-9
14.0	16.0	8	2842113-8
12.0	14.0	7	2842113-7
10.0	12.0	6	2842113-6
8.0	10.0	5	2842113-5
6.0	8.0	4	2842113-4
DIM "F"	DIM "E"	POS	TE PN

THIS DRAWING IS A CONTROLLED DOCUMENT.

DWN ANKIT YADAV 01AUG2019
CHK KARTHIK JK 14AUG2019
APVD PRASHANTH S 16AUG2019

STE TE Connectivity

NAME AMPMODU 2mm BREAKAWAY HEADER, SINGLE ROW, RIGHT ANGLE, Sn, TUBE, PICK AND PLACE CAP

DIMENSIONS: mm

TOLERANCES UNLESS OTHERWISE SPECIFIED:
0 PLC ±
1 PLC ±0.2
2 PLC ±0.15
3 PLC ±
4 PLC ±
ANGLES ±2°
FINISH

PRODUCT SPEC 108-64040

APPLICATION SPEC 114-32259

WEIGHT -

CUSTOMER DRAWING

SIZE A2 CAGE CODE 00779 DRAWING NO. C-2842113 RESTRICTED TO -

SCALE 5:1 SHEET 1 OF 1 REV A1

PICK AND PLACE CAP	3
CONTACT PIN	2
HOUSING	1
DESCRIPTION	ITEM NO.