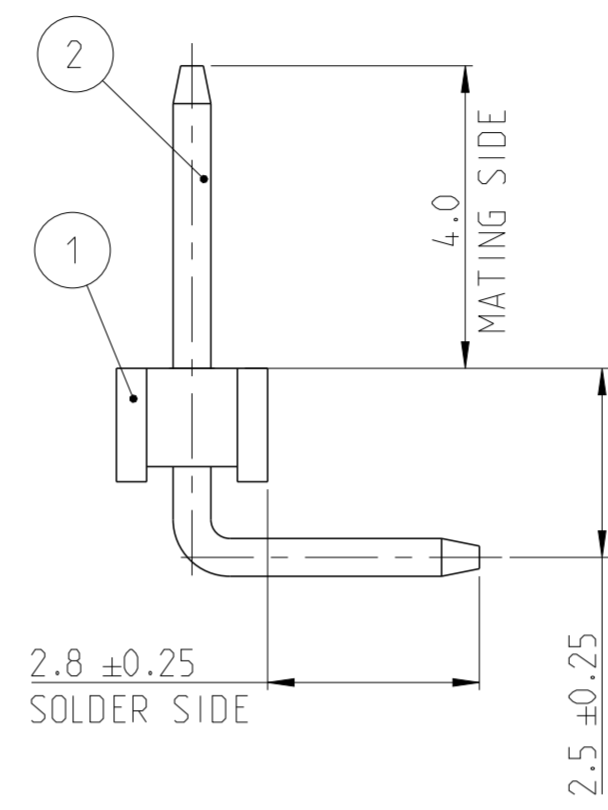
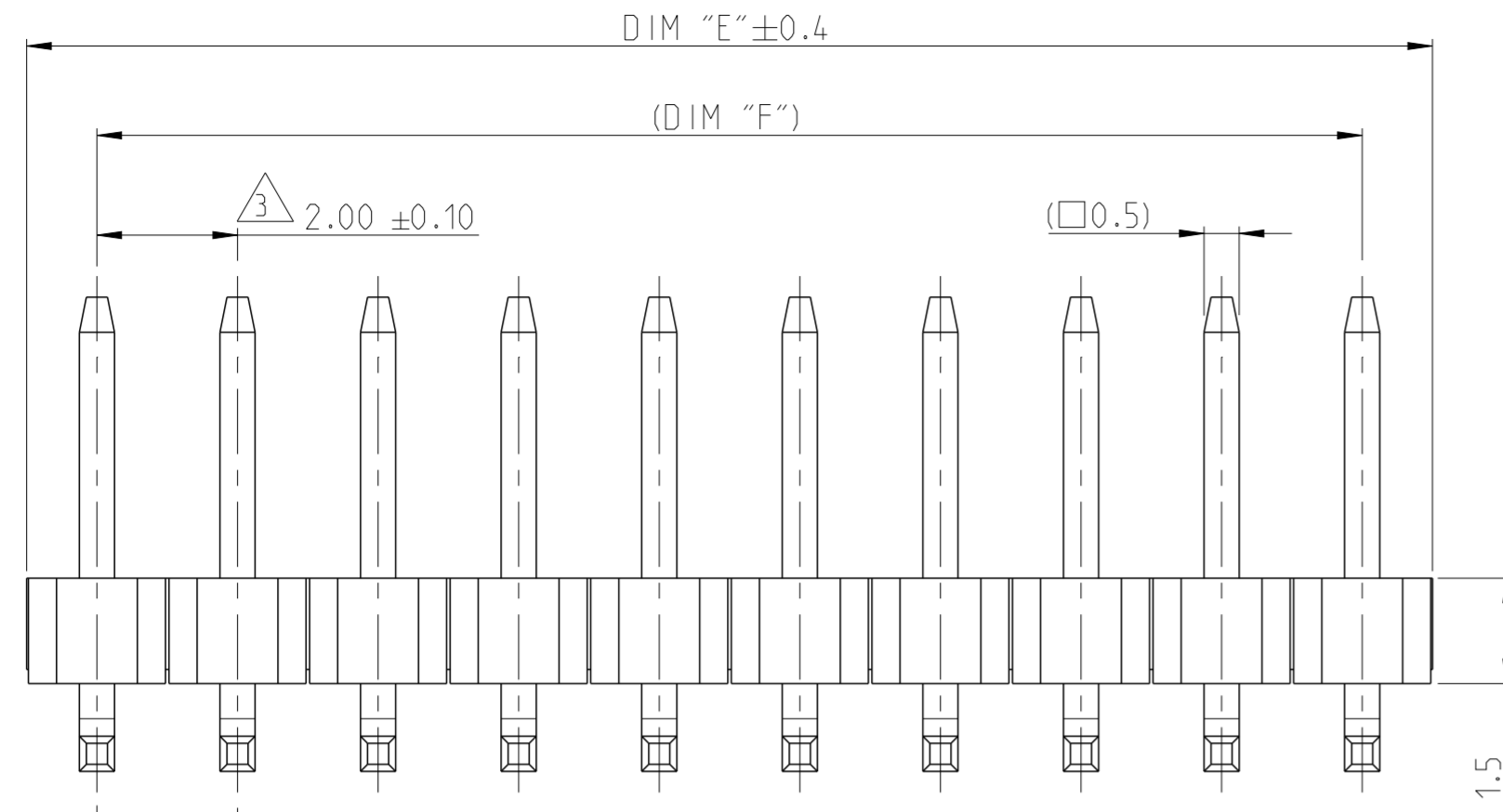
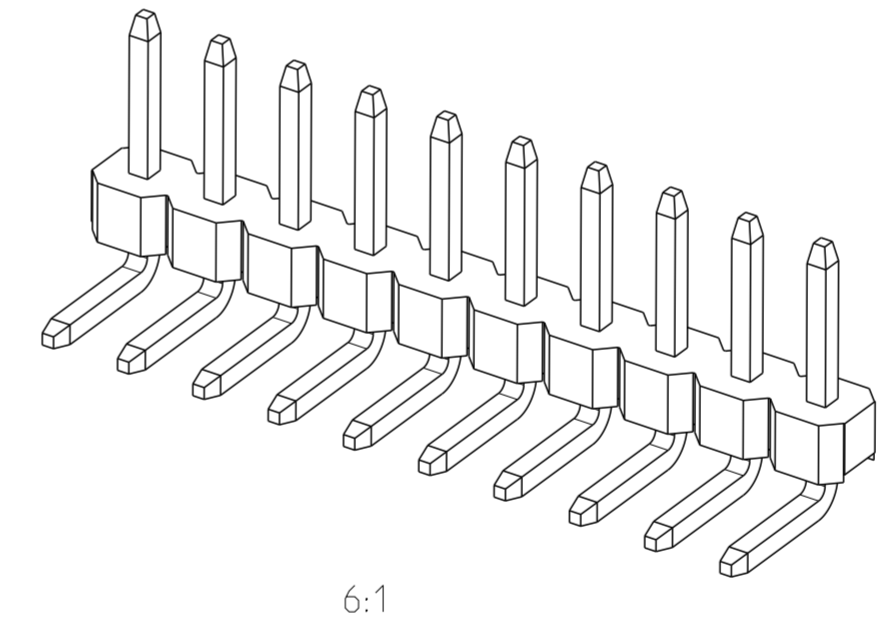
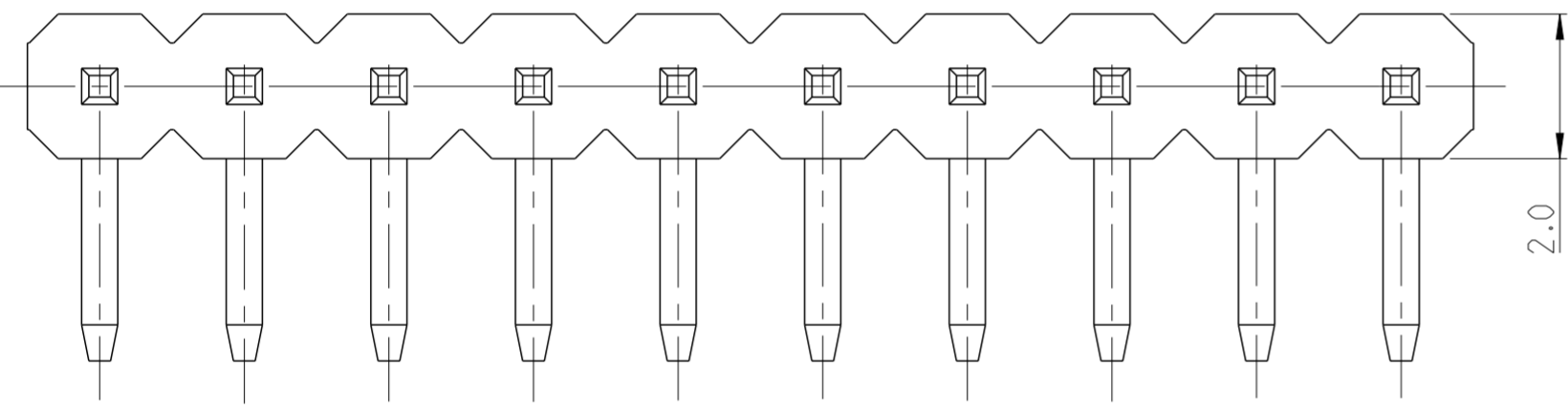


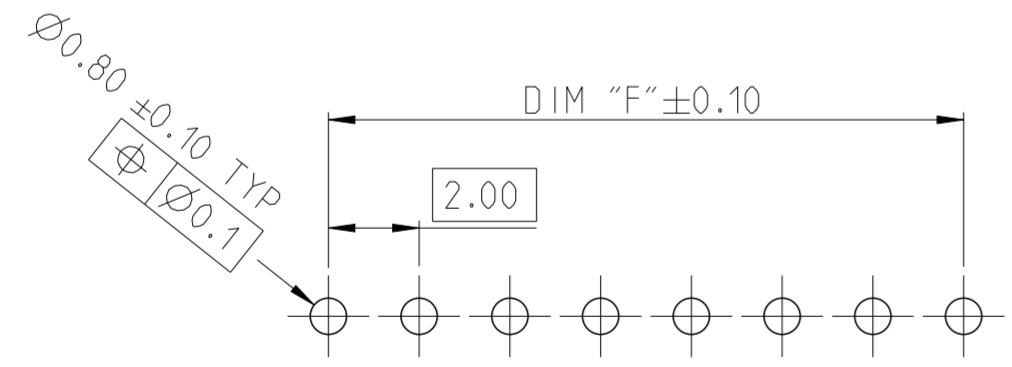
| P | LTR | DESCRIPTION | DATE | DWN | APVD |
|----|-----|------------------------------|-----------|-----|------|
| A | | RELEASE TO PRODUCTION | 27AUG2019 | AY | PS |
| A1 | | REMOVED TOLERANCE FROM DIM F | 17DEC2019 | AY | PS |



- NOTES:
- MATERIAL
HOUSING : HIGH TEMPERATURE THERMOPLASTIC, UL94-V0; COLOR- BLACK
CONTACT PIN : COPPER ALLOY
FINISH : MIN 2.0 μ m BRIGHT TIN OVER NICKEL UNDER PLATING
 - PACKAGING: TUBE.
 - TOLERANCE NOT CUMULATIVE.
 - CUTTING BURR MAX. 0.25 mm.

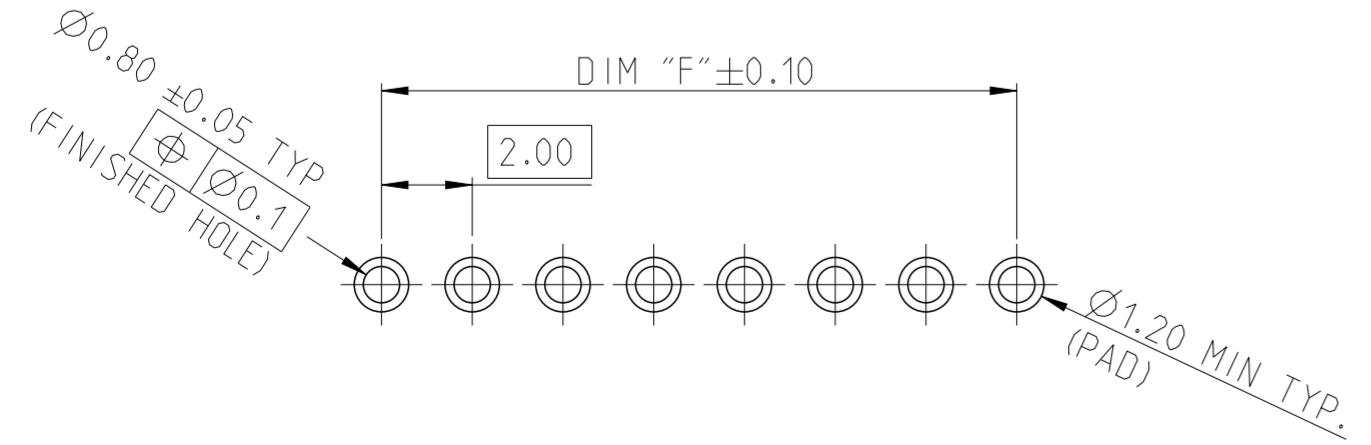


| DIM "F" | DIM "E" | POS | TE PN |
|---------|---------|-----|-------------|
| 48.0 | 50.0 | 25 | 2-2842109-5 |
| 46.0 | 48.0 | 24 | 2-2842109-4 |
| 44.0 | 46.0 | 23 | 2-2842109-3 |
| 42.0 | 44.0 | 22 | 2-2842109-2 |
| 40.0 | 42.0 | 21 | 2-2842109-1 |
| 38.0 | 40.0 | 20 | 2-2842109-0 |
| 36.0 | 38.0 | 19 | 1-2842109-9 |
| 34.0 | 36.0 | 18 | 1-2842109-8 |
| 32.0 | 34.0 | 17 | 1-2842109-7 |
| 30.0 | 32.0 | 16 | 1-2842109-6 |
| 28.0 | 30.0 | 15 | 1-2842109-5 |
| 26.0 | 28.0 | 14 | 1-2842109-4 |
| 24.0 | 26.0 | 13 | 1-2842109-3 |
| 22.0 | 24.0 | 12 | 1-2842109-2 |
| 20.0 | 22.0 | 11 | 1-2842109-1 |
| 18.0 | 20.0 | 10 | 1-2842109-0 |
| 16.0 | 18.0 | 9 | 2842109-9 |
| 14.0 | 16.0 | 8 | 2842109-8 |
| 12.0 | 14.0 | 7 | 2842109-7 |
| 10.0 | 12.0 | 6 | 2842109-6 |
| 8.0 | 10.0 | 5 | 2842109-5 |
| 6.0 | 8.0 | 4 | 2842109-4 |
| 4.0 | 6.0 | 3 | 2842109-3 |
| 2.0 | 4.0 | 2 | 2842109-2 |



RECOMMENDED PCB HOLE PATTERN FOR THROUGH HOLE WAVE

1-2842109-0 AS SHOWN



RECOMMENDED PCB HOLE PATTERN FOR THROUGH HOLE REFLOW /PIN-IN-PASTE

| | |
|-------------|----------|
| CONTACT PIN | 2 |
| HOUSING | 1 |
| DESCRIPTION | ITEM NO. |

THIS DRAWING IS A CONTROLLED DOCUMENT.

| | | | | | | | | | | | | | | | | | |
|--|--|------------------------------|---|-------|------|-------|-------|-------|---|-------|---|---|--------|-----|--------|---|--|
| DIMENSIONS: mm | TOLERANCES UNLESS OTHERWISE SPECIFIED: | DWN ANKIT YADAV 01AUG2019 | TE Connectivity | | | | | | | | | | | | | | |
| <table border="1"> <tr><td>0 PLC</td><td>±</td></tr> <tr><td>1 PLC</td><td>±0.2</td></tr> <tr><td>2 PLC</td><td>±0.15</td></tr> <tr><td>3 PLC</td><td>±</td></tr> <tr><td>4 PLC</td><td>±</td></tr> </table> | 0 PLC | ± | | 1 PLC | ±0.2 | 2 PLC | ±0.15 | 3 PLC | ± | 4 PLC | ± | <table border="1"> <tr><td>ANGLES</td><td>±2°</td></tr> <tr><td>FINISH</td><td>-</td></tr> </table> | ANGLES | ±2° | FINISH | - | CHK KARTHIK JK 14AUG2019 APVD PRASHANTH S 16AUG2019 PRODUCT SPEC 108-64040 APPLICATION SPEC 114-32259 |
| 0 PLC | ± | | | | | | | | | | | | | | | | |
| 1 PLC | ±0.2 | | | | | | | | | | | | | | | | |
| 2 PLC | ±0.15 | | | | | | | | | | | | | | | | |
| 3 PLC | ± | | | | | | | | | | | | | | | | |
| 4 PLC | ± | | | | | | | | | | | | | | | | |
| ANGLES | ±2° | | | | | | | | | | | | | | | | |
| FINISH | - | | | | | | | | | | | | | | | | |
| MATERIAL SEE NOTES | | WEIGHT - CUSTOMER DRAWING | SIZE A2 CAGE CODE 00779 DRAWING NO C-2842109 RESTRICTED TO - | | | | | | | | | | | | | | |
| SCALE 5:1 | | | SHEET 1 OF 1 REV A1 | | | | | | | | | | | | | | |