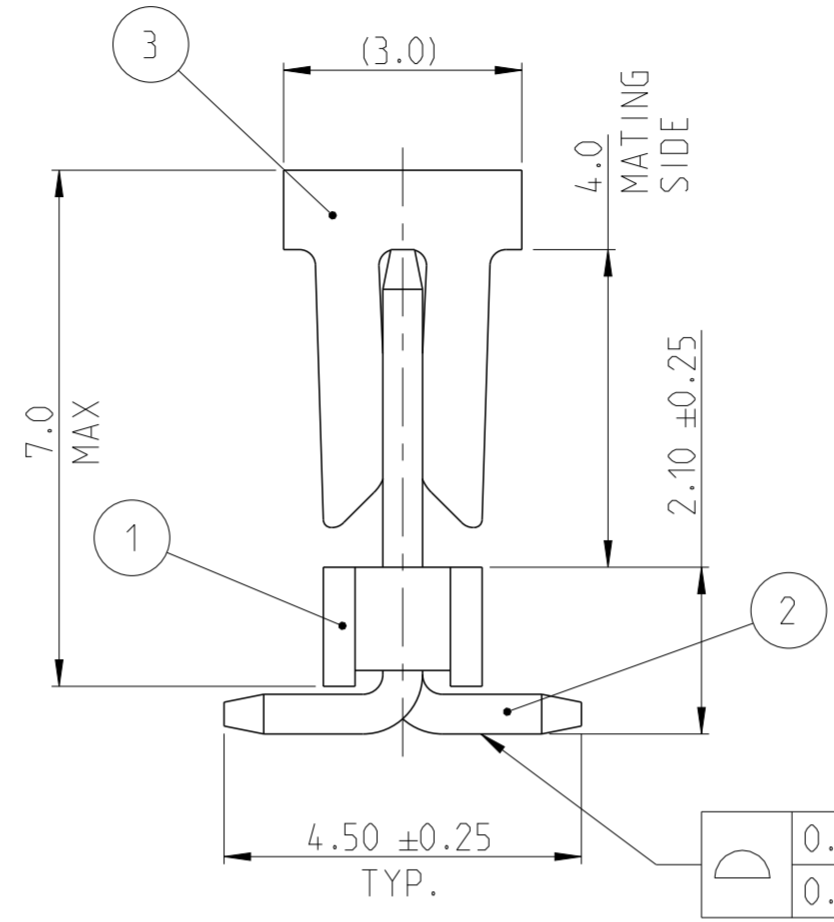
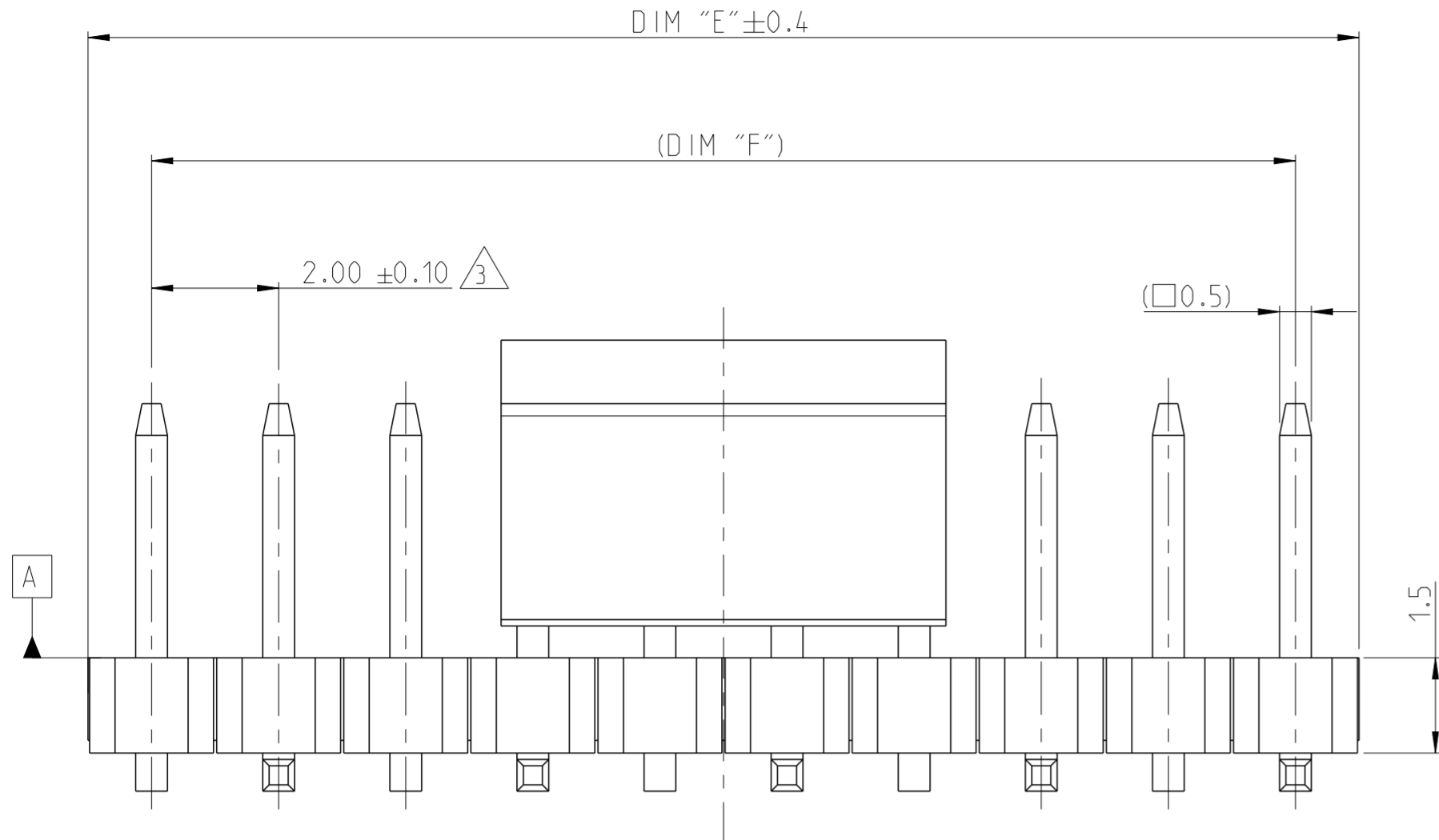


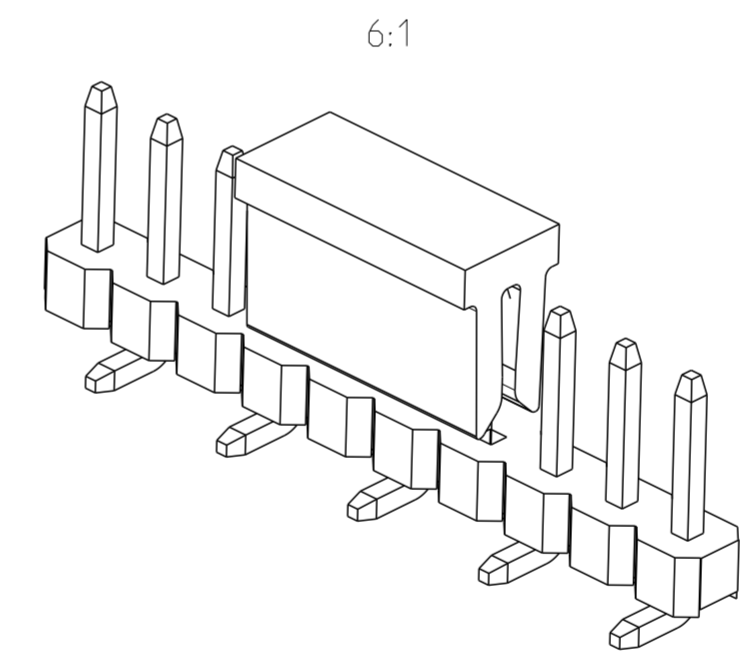
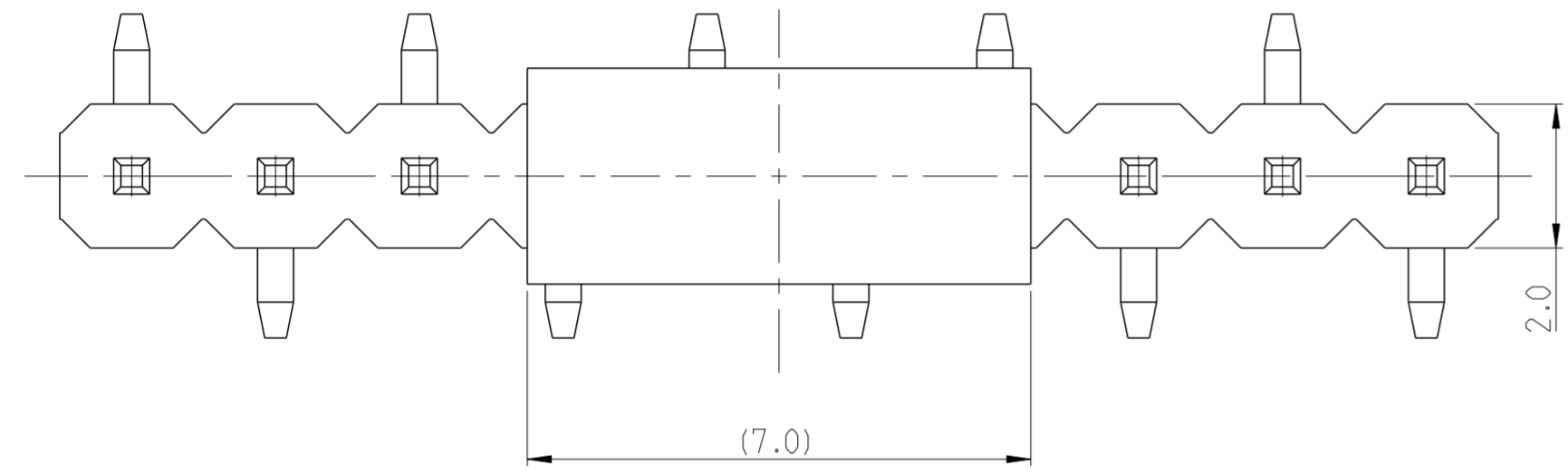
P	LTR	DESCRIPTION	DATE	DWN	APVD
A		RELEASE TO PRODUCTION	27AUG2019	AY	PS
B		CHANGED P AND P CAP LENGTH FROM 6.5 TO 7.0	16DEC2019	AY	PS



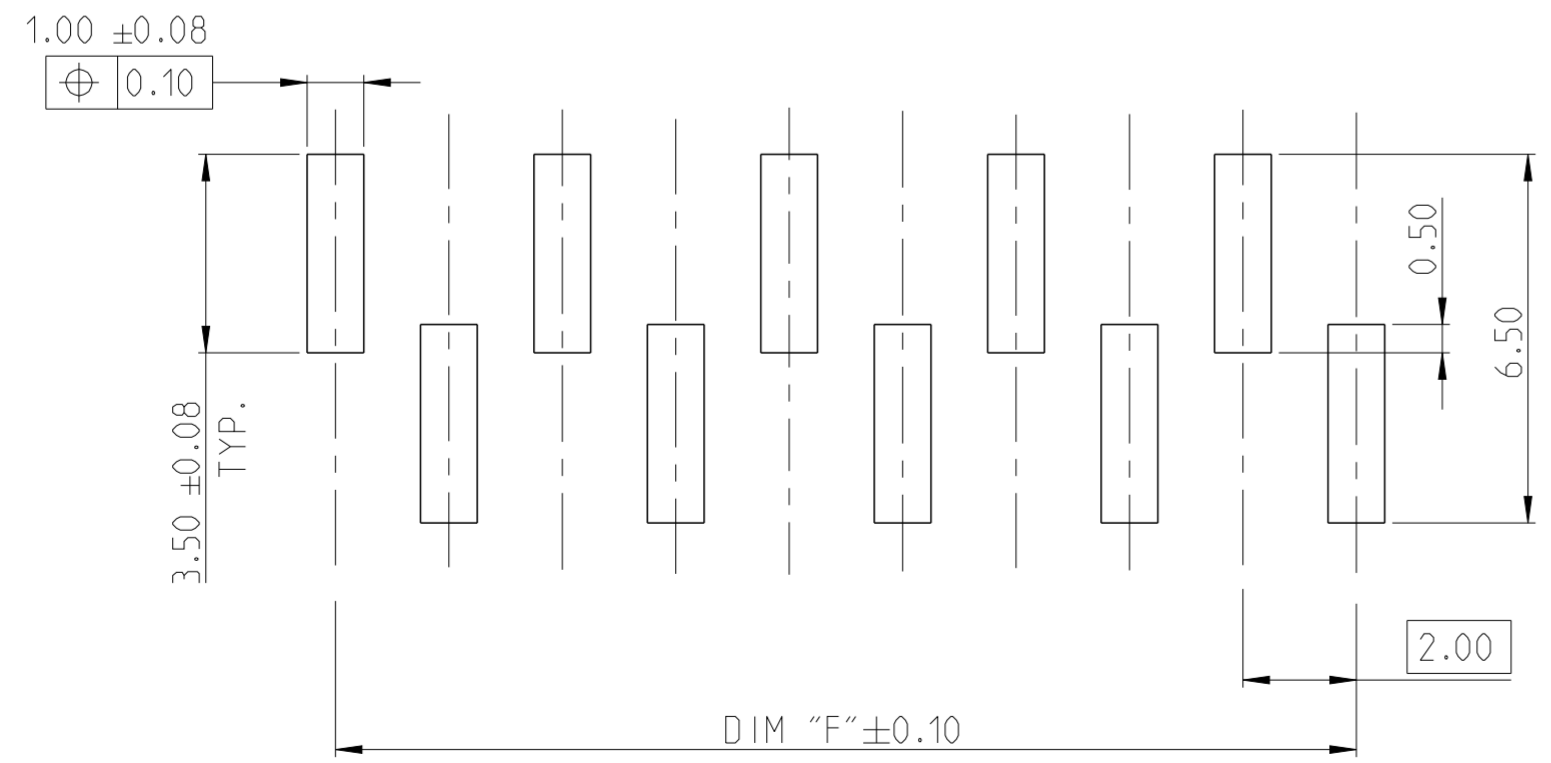
- NOTES:
- MATERIAL
HOUSING & P&P CAP : HIGH TEMPERATURE THERMOPLASTIC, UL94-V0;
COLOR- BLACK
CONTACT PIN : COPPER ALLOY
FINISH : MIN 2.0 μm BRIGHT TIN OVER NICKEL UNDER PLATING
 - PACKAGING: TUBE.
 - TOLERANCE NOT CUMULATIVE.
 - CUTTING BURR MAX. 0.25 mm.

Symbol	Value	Material	Position
⊕	0.10	A	02-15 POS
⊕	0.15	A	16-25 POS

ALL CONTACTS



DIM "F"	DIM "E"	POS	TE PN
48.0	50.0	25	2-2842105-5
46.0	48.0	24	2-2842105-4
44.0	46.0	23	2-2842105-3
42.0	44.0	22	2-2842105-2
40.0	42.0	21	2-2842105-1
38.0	40.0	20	2-2842105-0
36.0	38.0	19	1-2842105-9
34.0	36.0	18	1-2842105-8
32.0	34.0	17	1-2842105-7
30.0	32.0	16	1-2842105-6
28.0	30.0	15	1-2842105-5
26.0	28.0	14	1-2842105-4
24.0	26.0	13	1-2842105-3
22.0	24.0	12	1-2842105-2
20.0	22.0	11	1-2842105-1
18.0	20.0	10	1-2842105-0
16.0	18.0	9	2842105-9
14.0	16.0	8	2842105-8
12.0	14.0	7	2842105-7
10.0	12.0	6	2842105-6
8.0	10.0	5	2842105-5
6.0	8.0	4	2842105-4



1-2842105-0 AS SHOWN

DESCRIPTION	ITEM NO.
PICK AND PLACE CAP	3
CONTACT PIN	2
HOUSING	1

THIS DRAWING IS A CONTROLLED DOCUMENT.		DWN 08AUG2019 ANKIT YADAV
DIMENSIONS: mm		CHK 13AUG2019 KARTHIK JK
TOLERANCES UNLESS OTHERWISE SPECIFIED:		APVD 14AUG2019 PRASHANTH S
0 PLC ±	±0.2	PRODUCT SPEC 108-64040
1 PLC ±	±0.15	APPLICATION SPEC 114-32259
2 PLC ±	±	WEIGHT -
3 PLC ±	±	CUSTOMER DRAWING
4 PLC ±	±	
ANGLES ±2°		
FINISH	SEE NOTES	

TE Connectivity		NAME	
		AMPMODU 2mm BREAKAWAY HEADER, SINGLE ROW, VERTICAL SMD, Sn, TUBE	
SIZE	CAGE CODE	DRAWING NO	RESTRICTED TO
A2	100779	C-2842105	-
SCALE 5:1		SHEET 1 OF 2	REV B

RECOMMENDED PCB PATTERN

4

3

2

1

©

C-2842105

STOCK DISPOSITION



A: CONTINUE AS IS D: USE OLD FIRST
 B: REWORK E: PARTS TO CONFORM
 C: SCRAP F: OTHER

REVISION HISTORY

DATE	REV	CHANGES	REASON	APPROVAL	INVENTORY (A,B,C,D,E,F)	WORK IN PROCESS (A,B,C,F)	SUPPLIER ORDERS (A,E,F)	OPEN CUST ORDERS (A,E,F)
-	-	-	-	-	-	-	-	-

REVISIONS

P	LTR	DESCRIPTION	DATE	DWN	APVD
		SEE SHEET 1			

THIS DRAWING IS A CONTROLLED DOCUMENT.		DWN	 TE Connectivity		
DIMENSIONS:		CHK			
	TOLERANCES UNLESS OTHERWISE SPECIFIED:	APVD	NAME		
	0 PLC ±	PRODUCT SPEC	APPLICATION SPEC		
	1 PLC ±	APPLICATION SPEC	SIZE	CAGE CODE	DRAWING NO
	2 PLC ±	MATERIAL	A2	C-	RESTRICTED TO
	3 PLC ±	FINISH	WEIGHT	SCALE	SHEET OF
4 PLC ±				REV	
ANGLES ±					