

4

3

2

1

THIS DRAWING IS UNPUBLISHED.

RELEASED FOR PUBLICATION

20

REVISIONS

© COPYRIGHT 20 BY -

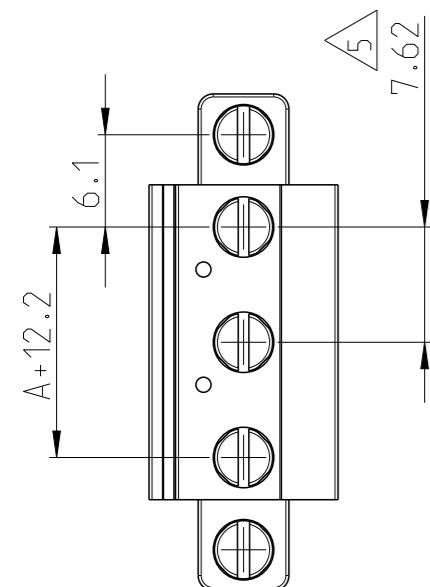
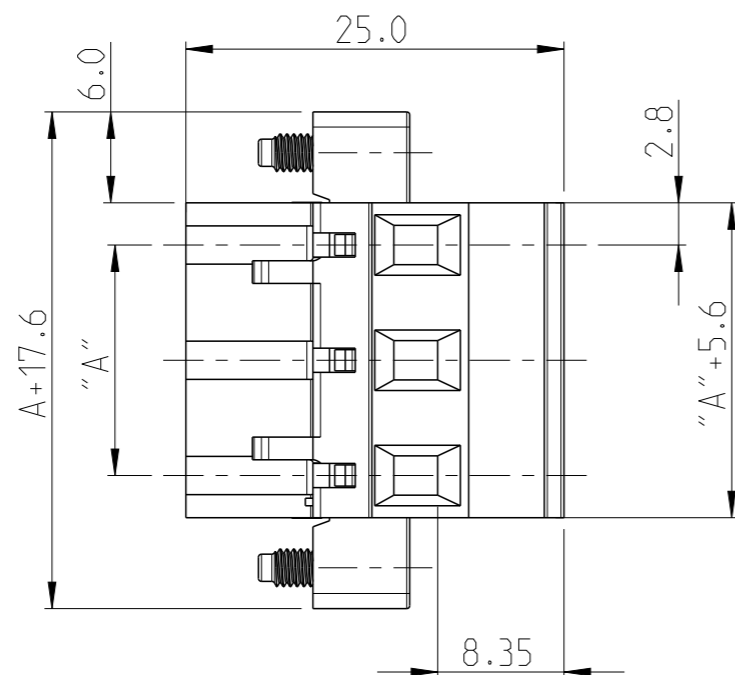
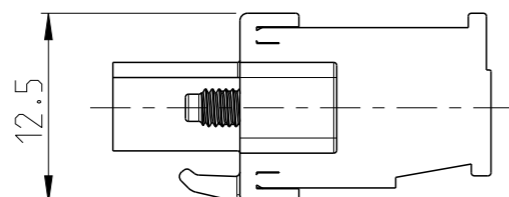
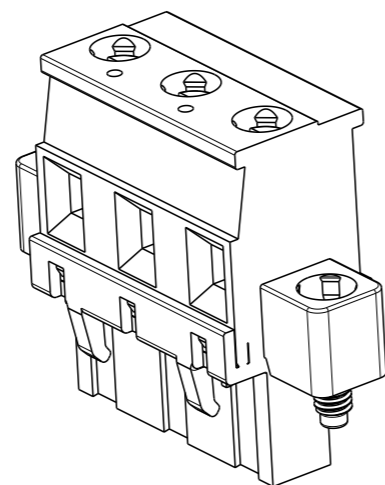
ALL RIGHTS RESERVED.

P	LTR	DESCRIPTION	DATE	DWN	APVD
	A	INITIAL RELEASE	28JAN2015	NV	PS

NOTES:


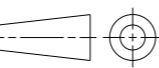
- MATERIALS & FINISH**
HOUSING : PA6.6 , UL94 V0, COLOUR -GREEN
SCREW M3 : COPPER ALLOY, NICKEL PLATED
CLAMP : COPPER ALLOY, NICKEL PLATED
SPRING CONTACT : COPPER ALLOY, TIN PLATED
- MECHANICAL**
RECOMMENDED/ HIGHEST TIGHTENING TORQUE : 0.5/ 0.6 Nm
INSERTION FORCE PER POLE :MAX 3N
WIRE STRIPPING LENGTH: 6 - 7.5 mm
WITHDRAWAL FORCE PER POLE: MIN :1.5N
- ELECTRICAL**
WIRE RANGE : 30 - 12 AWG
VOLTAGE RATING : 300 V
CURRENT RATING : 15 A
CONTACT RESISTANCE : <15 m Ohm
INSULATION RESISTANCE : > 1000 M Ohm (500V DC)
- OPERATING TEMPERATURE RANGE -40 °C TO +110 °C**

 TOLERANCE NOT CUMULATIVE

-3 AS SHOWN

2:1

THIS DRAWING IS A CONTROLLED DOCUMENT.		DWN NAGASHREE.V 28JAN2015	 TE Connectivity		
DIMENSIONS: mm		CHK PRASHANTH.S 28JAN2015			
TOLERANCES UNLESS OTHERWISE SPECIFIED:		APVD PRASHANTH.S 28JAN2015	NAME EUROSTYLE PLUG, RIGHT VERSION PITCH 7.62mm,W / LOCKING SCREW FLANGES		
		PRODUCT SPEC -	RESTRICTED TO -		
MATERIAL SEE NOTE 1		APPLICATION SPEC -	SIZE A3	CAGE CODE 00779	DRAWING NO C=2842005
FINISH SEE NOTE 1		WEIGHT -	SCALE 3:1	SHEET 1 OF 1	REV A
Customer Drawing					

1470-19 (3/13)