

THIS DRAWING IS UNPUBLISHED.

RELEASED FOR PUBLICATION

,19

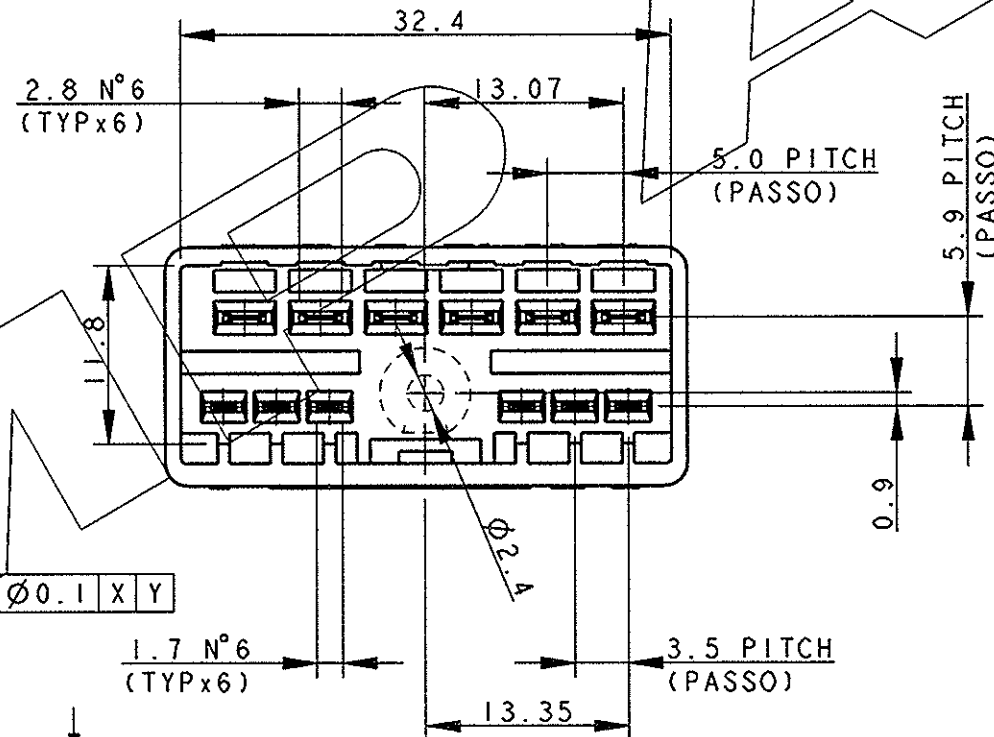
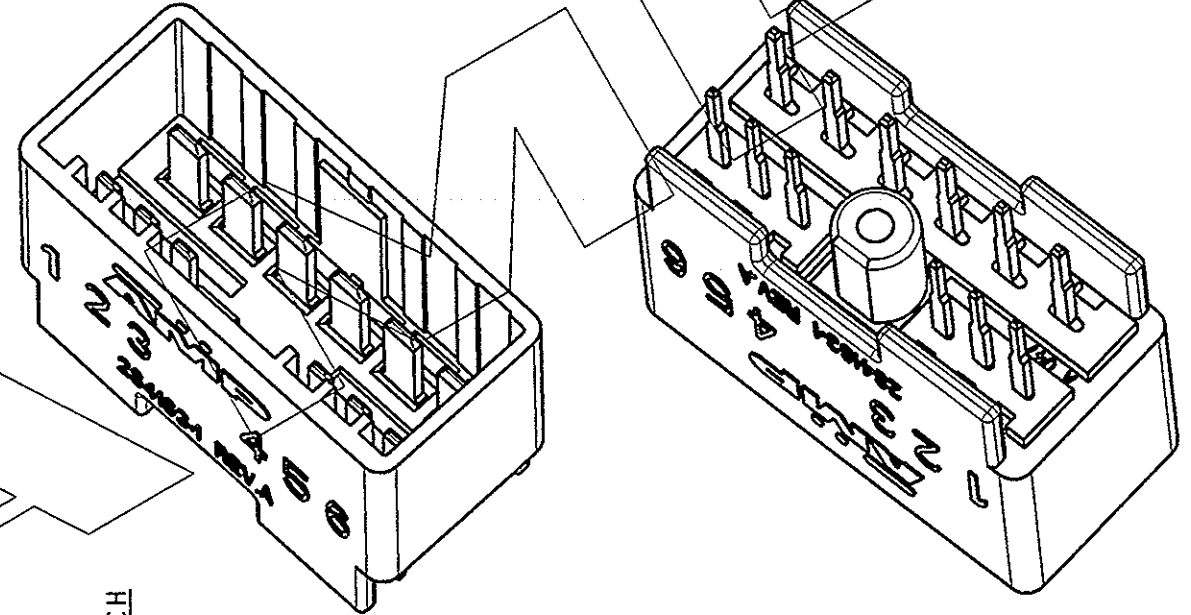
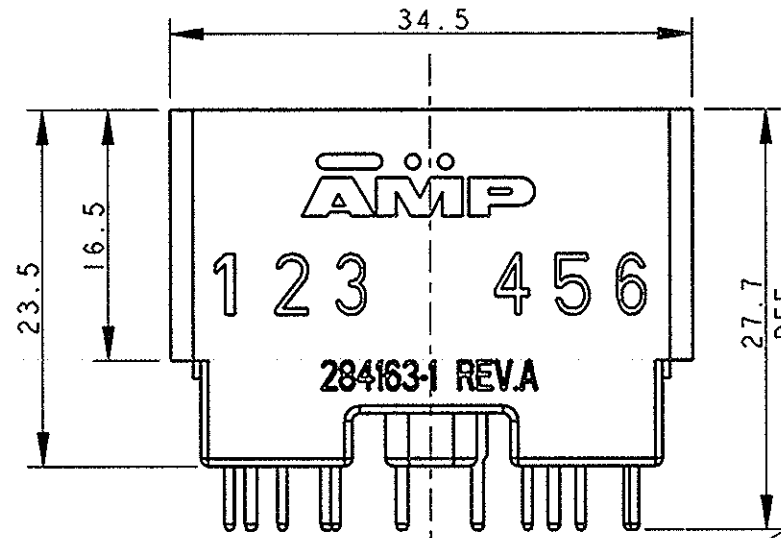
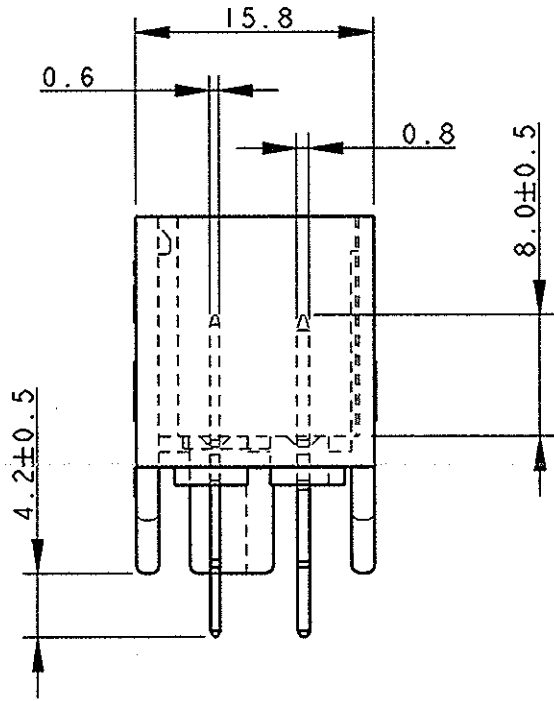
© COPYRIGHT 19

BY AMP INCORPORATED. ALL RIGHTS RESERVED.

LOC DIST

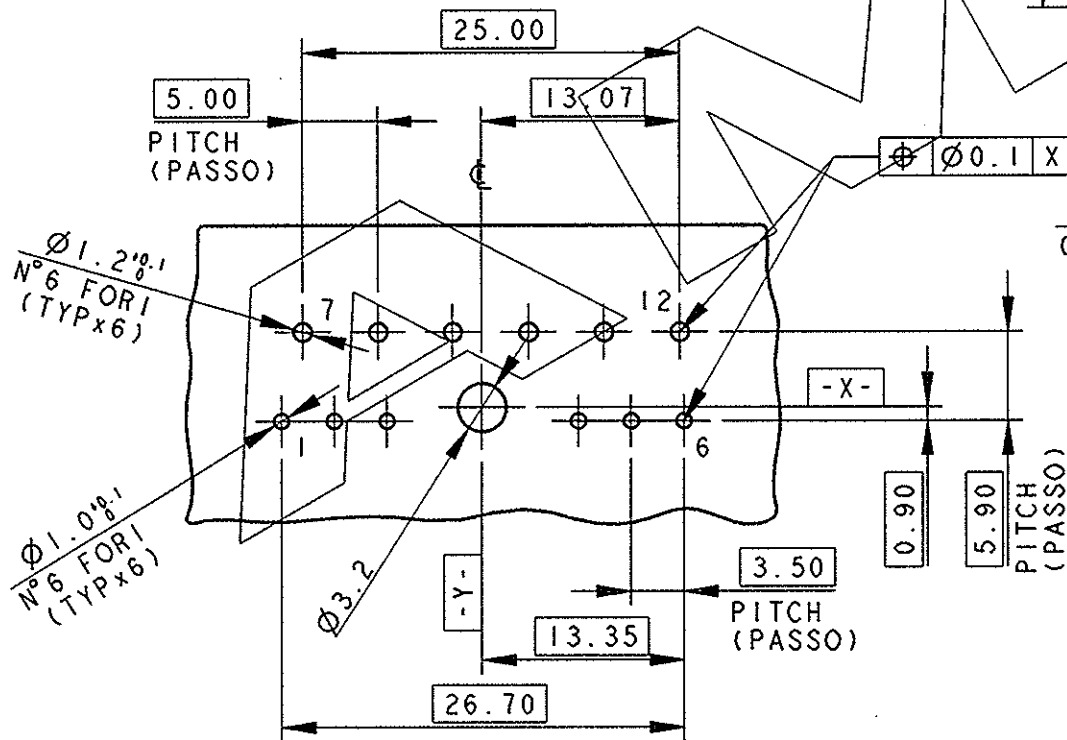
REVISIONS

P	LTR	DESCRIPTION	DATE	DWN	APVD
B		REVISED FOR ET00-0025-04	23FEB2004	M. P.	O. C.
BI		UPDATED (ECR-05-006424)	13SEP2005	<i>[Signature]</i>	<i>[Signature]</i>



DIMA DI FORATURA (PCB LAYOUT)

SPESORE CIRCUITO STAMPATO 1.6±0.1 (CIRCUIT BOARD THICKNESS 1.6±0.1)



P/Ns	REV.
284162-1	B
284162-3	B
284162-4	B
284162-5	B

NOTE: (NOTES:)

1) MATERIALE: BLOCCHETTO, PBT CARICA VETRO CONTATTI, IN OTTONE STAGNATO (MATERIAL: HOUSING, PBT G.F. CONTACTS, BRASS TIN PLATED)

2) DIMA ADATTA PER CONNETTORE 12 POS. P/N 284159-1/-2 (HEADER SUITABLE FOR 12 POS. P/N 284159-1/-2)

284162-1 COME INDICATO (AS SHOWN)

THIS DRAWING IS A CONTROLLED DOCUMENT FOR AMP INCORPORATED. IT IS SUBJECT TO CHANGE AND THE CONTROLLING ENGINEERING ORGANIZATION SHOULD BE CONTACTED FOR THE LATEST REVISION.		DWN P. SANTANGELO 04MAY98	<b>AMP</b> AMP Italia S.p.A. C.so F.lli Cervi 15 Collegno (TO)
		CHK BERTINI C. 04MAY98	
DIMENSIONS: mm	TOLERANCES UNLESS OTHERWISE SPECIFIED: 0 PLC ±0.3 1 PLC ±0.3 2 PLC ±0.2 3 PLC ± 4 PLC ± ANGLES ±2°	APVD BRUNI A. 04MAY98	NAME 12 POS. 070/JPT HEADER ASS'Y
	MATERIAL	PRODUCT SPEC 108-20198	SIZE A3
	FINISH	APPLICATION SPEC	CAGE CODE 00779
CUSTOMER DRAWING		WEIGHT	DRAWING NO C=284162
		SCALE 2:1	SHEET 1 OF 3
			REV BI

THIS DRAWING IS UNPUBLISHED.

RELEASED FOR PUBLICATION

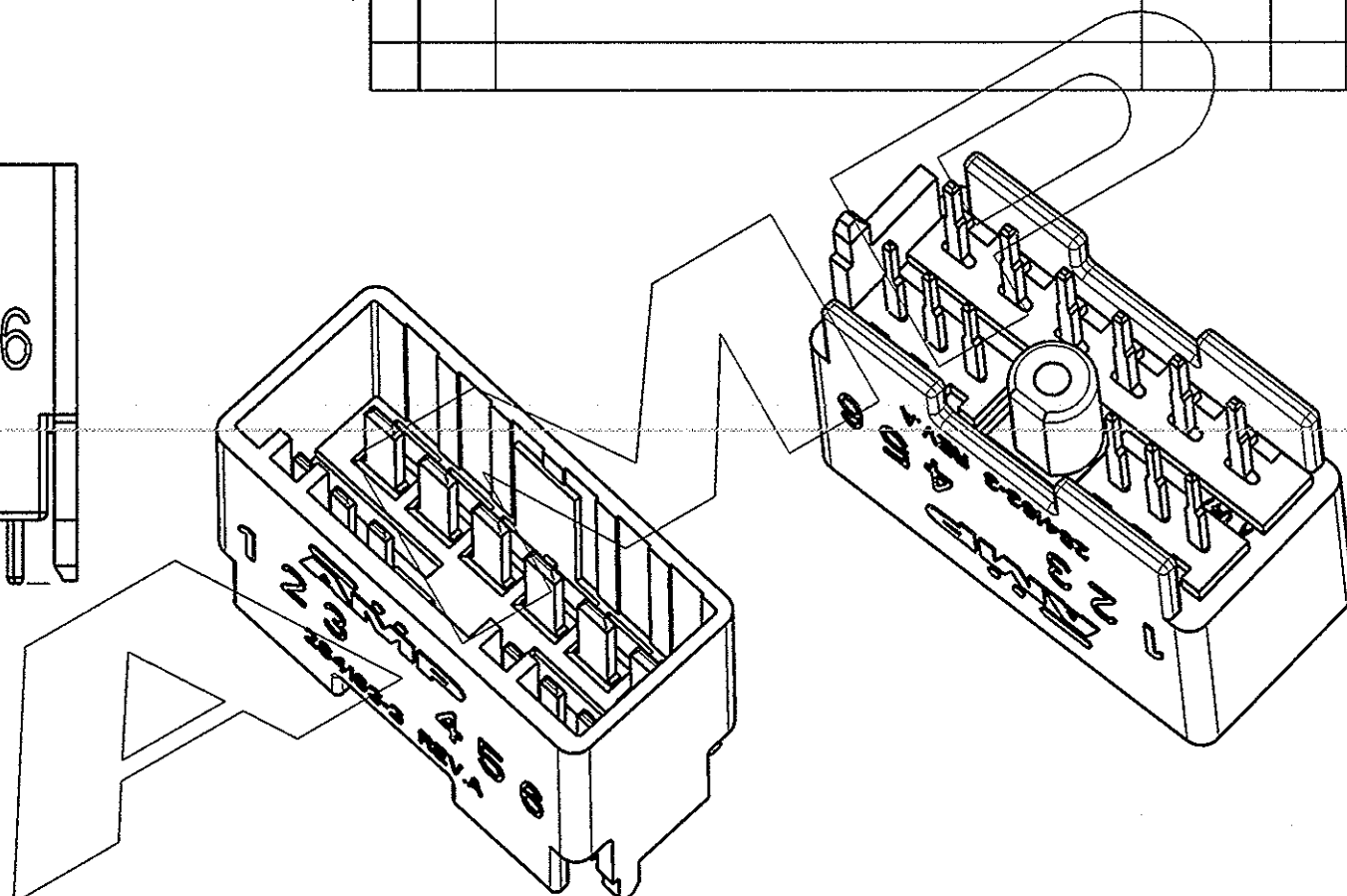
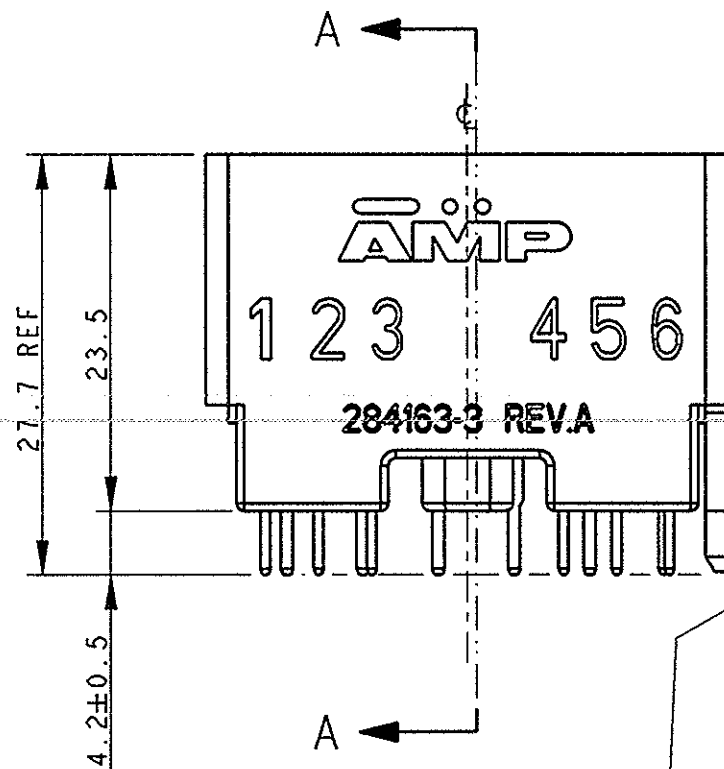
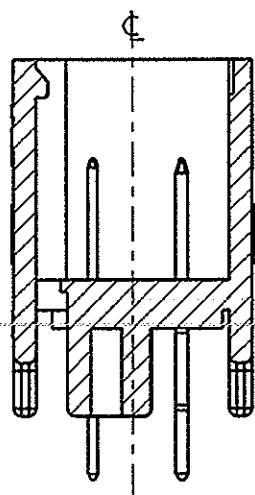
.19

© COPYRIGHT 19

BY AMP INCORPORATED. ALL RIGHTS RESERVED.

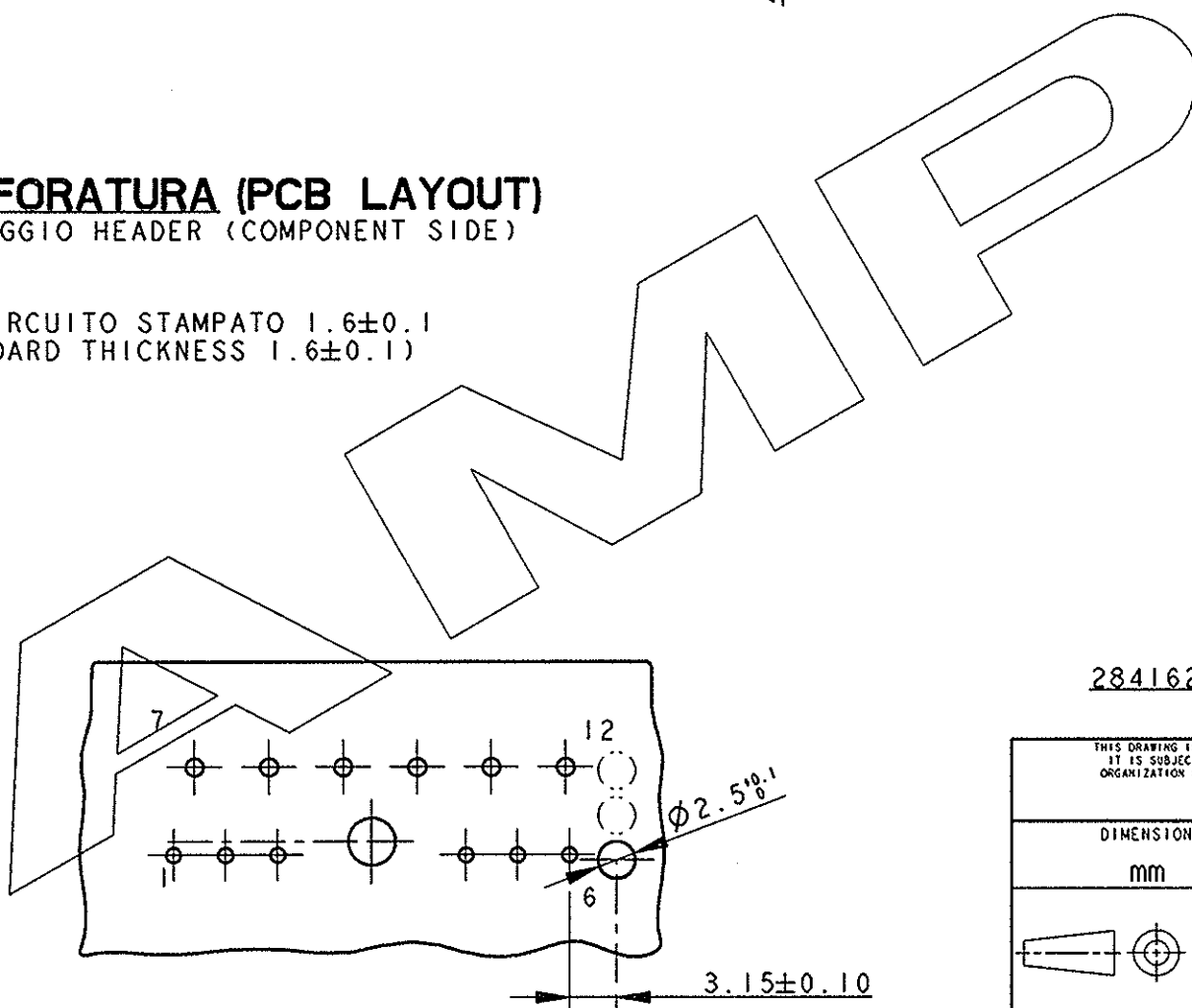
LOC	DIST	REVISIONS					
		P	LTR	DESCRIPTION	DATE	DWN	APVD
1	-	-	-	VED. FOGLIO 1/3 (SEE SHEET 1/3)	-	-	-

SECTION A-A



**DIMA DI FORATURA (PCB LAYOUT)**  
LATO MONTAGGIO HEADER (COMPONENT SIDE)

SPESSORE CIRCUITO STAMPATO 1.6±0.1  
(CIRCUIT BOARD THICKNESS 1.6±0.1)



NOTE:  
(NOTES)

- 1) MATERIALE: DIMA IN PBT CARICATO VETRO (PER COLORE VEDI FOGLIO 3/3)  
TAB IN OTTONE STAGNATO  
(MATERIAL: HEADER PBT GLASS FIBER (SEE SHEET 3/3 FOR COLOUR)  
(CONTACTS BRASS TIN PLATED)
- 2) PER DIMENSIONI E NOTE MANCANTI VEDERE P/N 284162-1, FOGLIO 1/3  
(FOR MISSING DIMENSIONS AND NOTES REFER TO P/N 284162-1, SHEET 1/3)

284162-3 COME MOSTRATO (AS SHOWN)

THIS DRAWING IS A CONTROLLED DOCUMENT FOR AMP INCORPORATED. IT IS SUBJECT TO CHANGE AND THE CONTROLLING ENGINEERING ORGANIZATION SHOULD BE CONTACTED FOR THE LATEST REVISION.		DWN G. STELLA 07JUN99	<b>AMP</b> AMP Italia S.p.A. C.so F.lli Cervi 15 Collegno (TO)
DIMENSIONS: mm		CHK O. CANUTO 07JUN99	
TOLERANCES UNLESS OTHERWISE SPECIFIED:		APVD A. GENTA 07JUN99	NAME 12 POS. 070/JPT HEADER ASS'Y
0 PLC ±0.3	1 PLC ±0.3	PRODUCT SPEC	SIZE A3
2 PLC ±0.3	3 PLC ±	APPLICATION SPEC	CAGE CODE 00779
4 PLC ±	ANGLES ±2°	WEIGHT	DRAWING NO C-284162
MATERIAL	FINISH	CUSTOMER DRAWING	SCALE 1:1
		SCALE	SHEET 2 OF 3
		REV B1	

THIS DRAWING IS UNPUBLISHED.

RELEASED FOR PUBLICATION

, 19

© COPYRIGHT 19

BY AMP INCORPORATED. ALL RIGHTS RESERVED.

LOC 1 DIST -

REVISIONS

P	LTR	DESCRIPTION	DATE	DWN	APVD
-	-	VED. FOGLIO 1/3 (SEE SHEET 1)	-	-	-

P/N

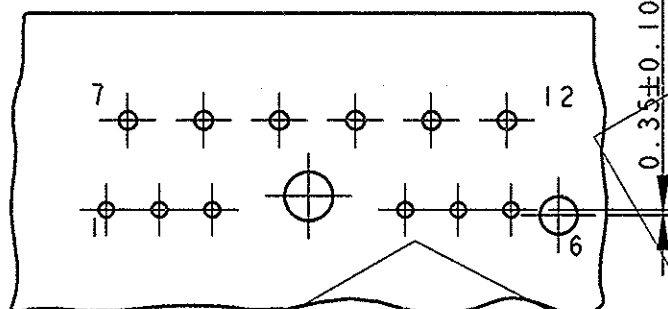
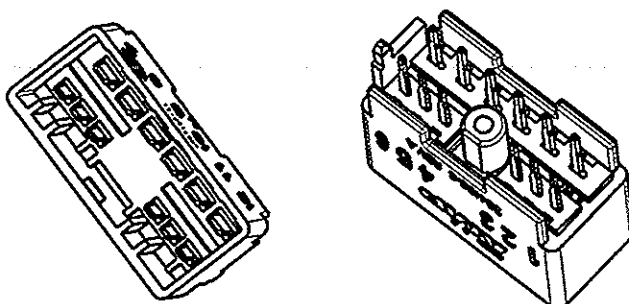
RAPPRESENTAZIONE 3D  
3D VIEW

PCB LAYOUT  
(DIMA DI FORATURA)

COLORE  
(COLOUR)

CONTROPARTE  
(COUNTERPART)

284162-3

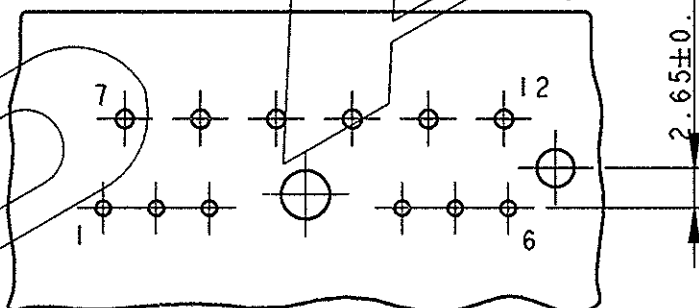
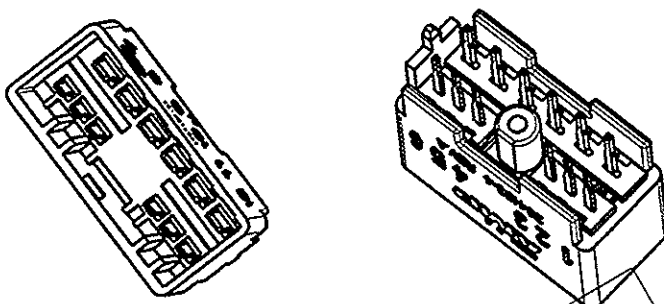


SCALE 2:1

VERDE  
(GREEN)

284159-3  
SENZA COPERCHIO  
(WITHOUT COVER)

284162-4

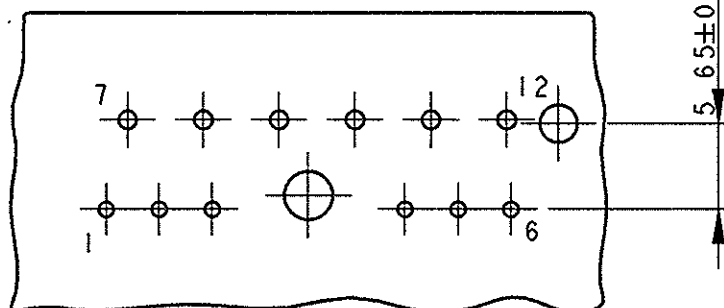
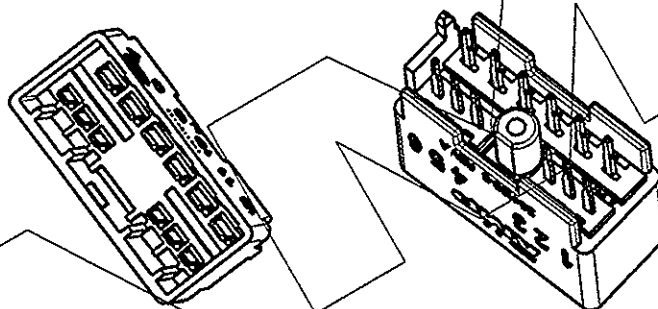


SCALE 2:1

BLU  
(BLUE)

284159-4  
SENZA COPERCHIO  
(WITHOUT COVER)

284162-5



SCALE 2:1

GRIGIO  
(GREY)

284159-5  
SENZA COPERCHIO  
(WITHOUT COVER)

THIS DRAWING IS A CONTROLLED DOCUMENT FOR AMP INCORPORATED. IT IS SUBJECT TO CHANGE AND THE CONTROLLING ENGINEERING ORGANIZATION SHOULD BE CONTACTED FOR THE LATEST REVISION.

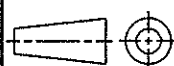
DWN G. STELLA 07JUN99  
CHK O. CANUTO 07JUN99  
APVD A. GENTA 07JUN99

**AMP**

AMP Italia S.p.A.  
C.so F.lli Cervi 15 Collegno (TO)

DIMENSIONS:

mm



TOLERANCES UNLESS OTHERWISE SPECIFIED:

- 0 PLC ±0.3
- 1 PLC ±0.3
- 2 PLC ±0.3
- 3 PLC ±
- 4 PLC ±
- ANGLES ±°

MATERIAL

FINISH

PRODUCT SPEC

APPLICATION SPEC

WEIGHT

NAME: 12 POS. 070/JPT HEADER ASS'Y

SIZE A3 CAGE CODE 00779 DRAWING NO C-284162

CUSTOMER DRAWING

SCALE 1:1 SHEET 3 OF 3 REV BI