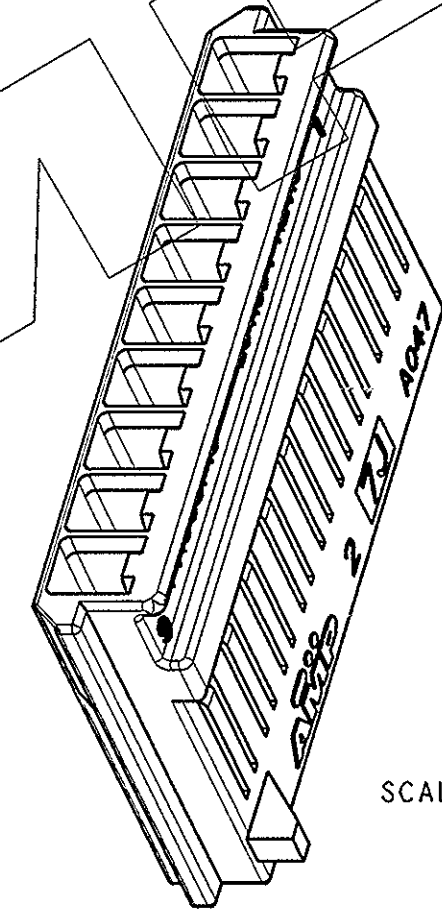
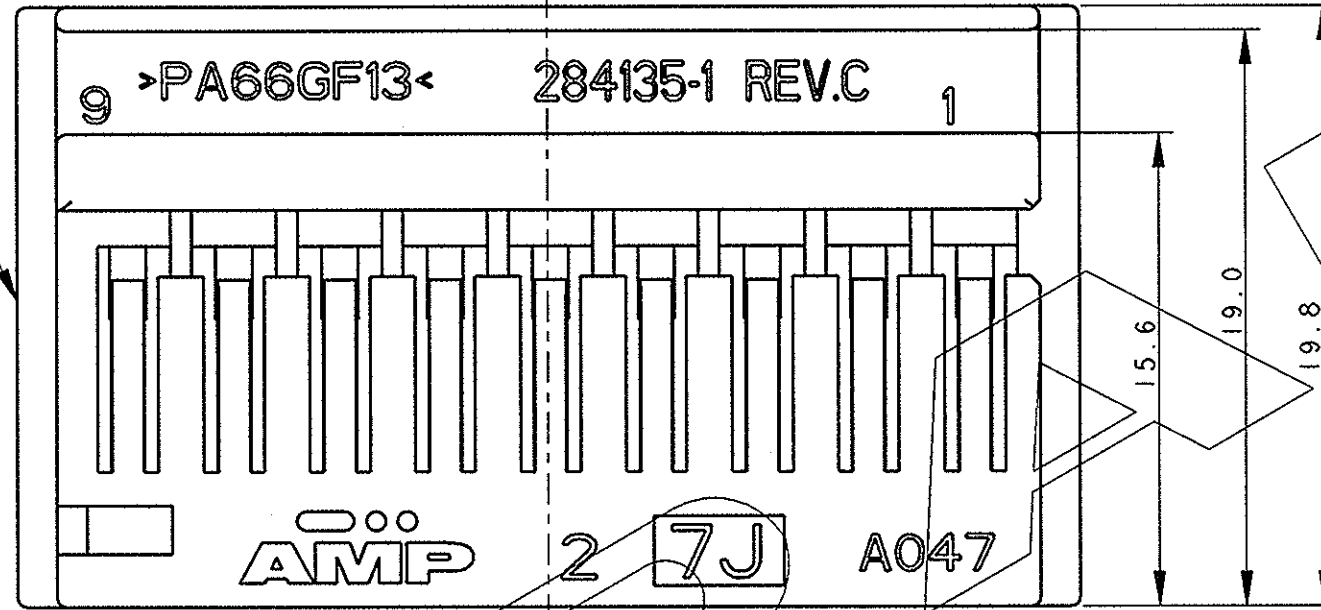
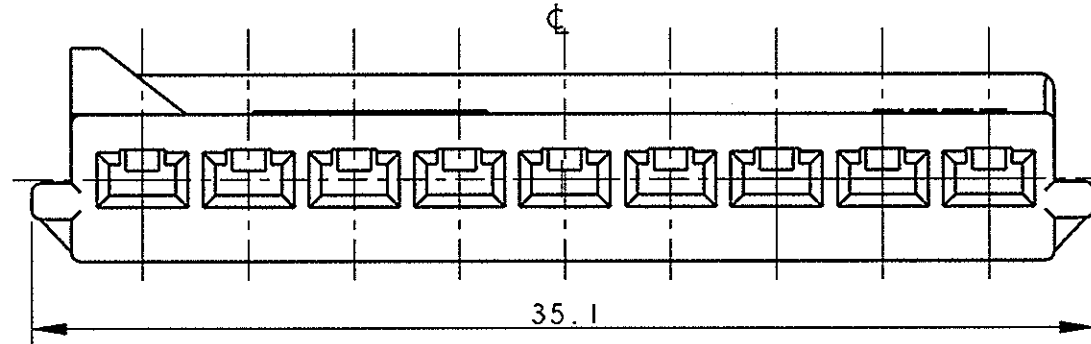
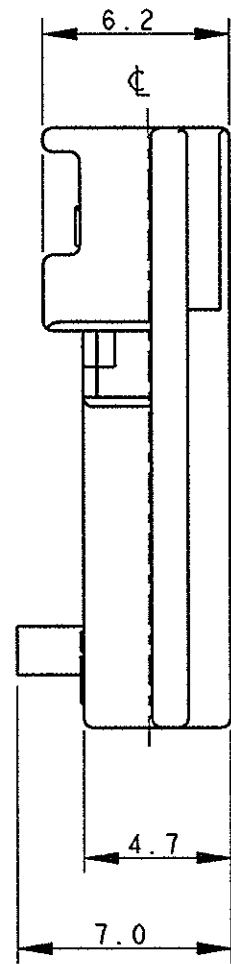


THIS DRAWING IS UNPUBLISHED.  
 QUESTO DISEGNO NON DEVE ESSERE DIVULGATO O RIPRODOTTO.  
 © COPYRIGHT 19 BY TYCO ELECTRONICS CORPORATION. ALL RIGHTS RESERVED.  
 TUTTI I DIRITTI SONO RISERVATI.

LOC 1  
 DIST -

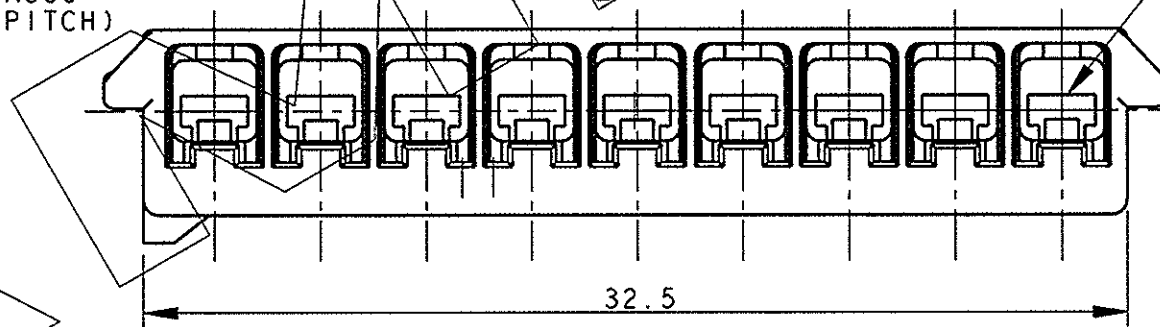
REVISIONS		DATE	OWN	APVD
REVISIONI		DATA	DIS.	APP.
P	LTR REV	DESCRIZIONE	DESCRIZIONE	
0		PRELIMINARY ISSUE		12 SEP 97 M. R. A. G.
1		MODIFICATA NOTA (MODIFIED NOTE)		11-FEB-98 G. S. A. G.
C1		RELEASED FOR PRODUCTION (ET00-0014-00)		23-JUN-00 G. S. O. C.
C2		REVISED AND REDRAWN (ET00-0229-00)		30-AUG-00 G. S. O. C.
C3		ADDED P/N 284135-2 (ET00-0062-04)		05APR04 F. A. O. C.
C4		RELEASED FOR PRODUCTION P/N -2 ET00-0054-05		08MAR05 F. A. O. C.

LATO INSERIZIONE  
 (INSERTION SIDE)



SCALE 3:1

3.5  
 PASSO  
 (PITCH)



1 NR.9 CAVITA' ADATTE PER CONTATTI:  
 P/N 284087-1 SEZ. CAVI 0.35-0.5 mm2  
 P/N 284088-1 SEZ. CAVI 0.75-1.5 mm2  
 NR.9 CAVITIES SUITABLE FOR CONTACTS:  
 P/N 284087-1 SEZ. CAVI 0.35-0.5 mm2  
 P/N 284088-1 SEZ. CAVI 0.75-1.5 mm2

2 MATERIALE (MATERIAL):  
 BLOCCHETTO: PA 6.6 CARICATO VETRO COLORE NERO  
 (HOUSING: PA 6.6 GLASS FIBER FILLED COLOUR BLACK)

284135-1 AS SHOWN (COME MOSTRATO)

THIS DRAWING IS A CONTROLLED DOCUMENT FOR TYCO ELECTRONICS CORPORATION IT IS SUBJECT TO CHANGE AND THE CONTROLLING ENGINEERING ORGANIZATION SHOULD BE CONTACTED FOR THE LATEST REVISION. QUESTO DISEGNO E' UN DOCUMENTO DI PROPRIETA' E RESPONSABILITA' DELL' AMP INCORPORATED. E' SOGGETTO A VARIAZIONI. PER OTTENERE L'ULTIMA REVISIONE DEL DISEGNO CONTATTARE L'UFFICIO TECNICO RESPONSABILE.		DWN/DIS. 12 SEP 97 M. ROUSSIN CHK/CONT. 12 SEP 97 A. GENTA	tyco Electronics AMP Italia S.p.A. Collegno, C.so F.lli Cervi 15
DIMENSIONS: DIMENSIONI: mm	TOLERANCES UNLESS OTHERWISE SPECIFIED: TOLLERANZE: SE NON DIVERSAMENTE SPECIFICATO	APVD/APP. - PRODUCT SPEC SPEC DI PRODOTTO - APPLICATION SPEC SPEC DI APPLICAZIONE -	NAME HOME 9 POS. PLUG HOUSING 3.5 PITCH FOR 070 NEW GENERATION MULTILOCK CRIMP SYSTEM
MATERIAL MATERIALE - 2	FINISH FINITURA -	WEIGHT PESO - CUSTOMER DRAWING DISEGNO PER CLIENTE SOLO PER RIFERIMENTO	SIZE A3 CAGE CODE 00779 DRAWING NO. C-284135 NUMERO RESTRICTED TO - SCALE 5:1 SHEET 1 OF 2 REV C4

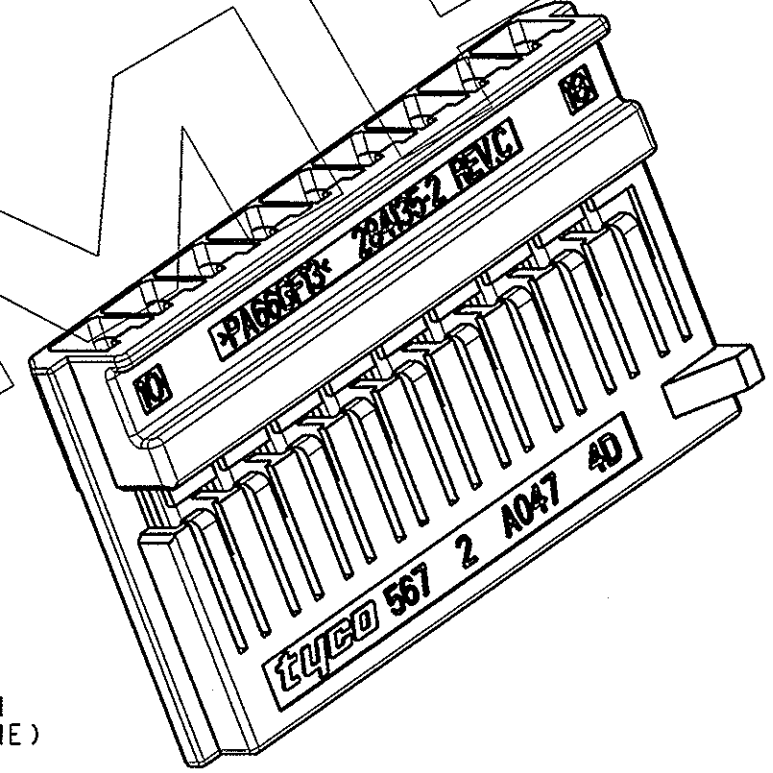
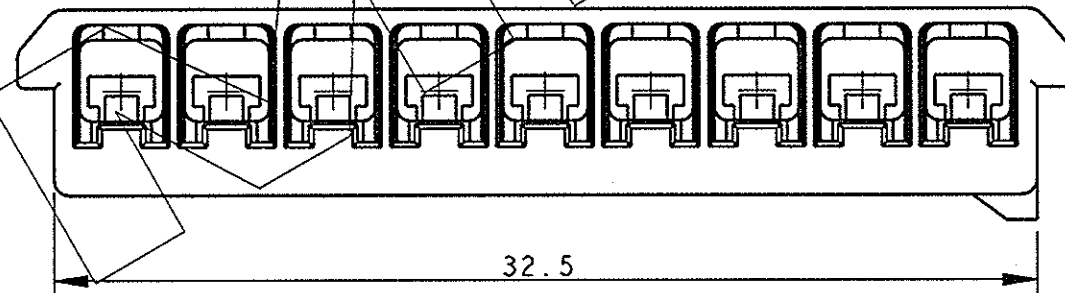
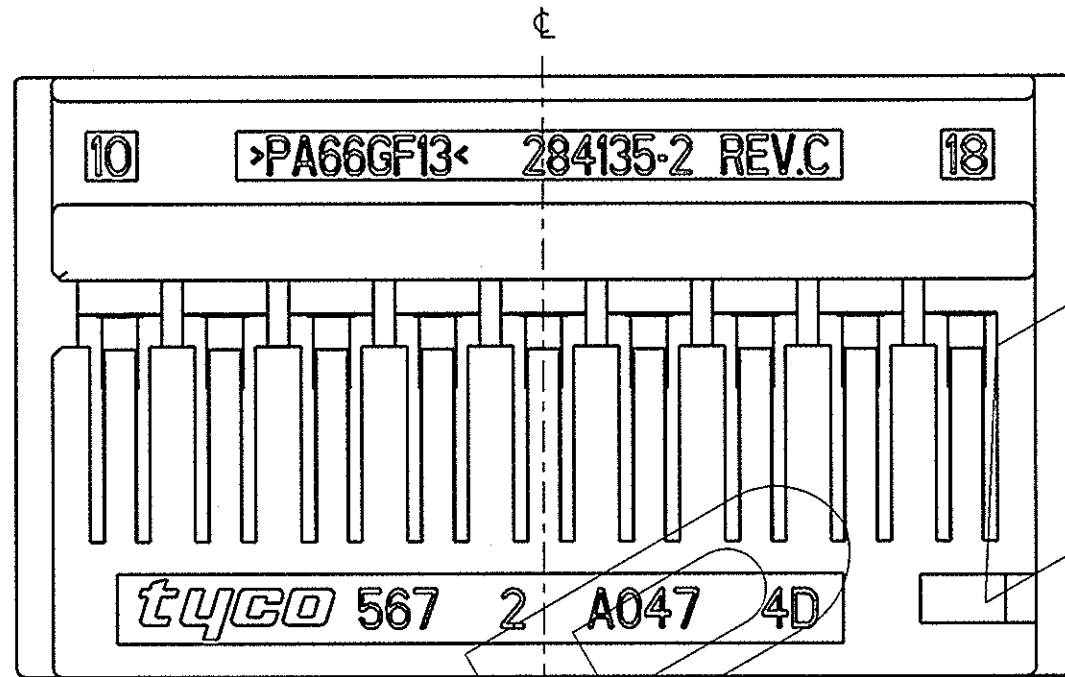
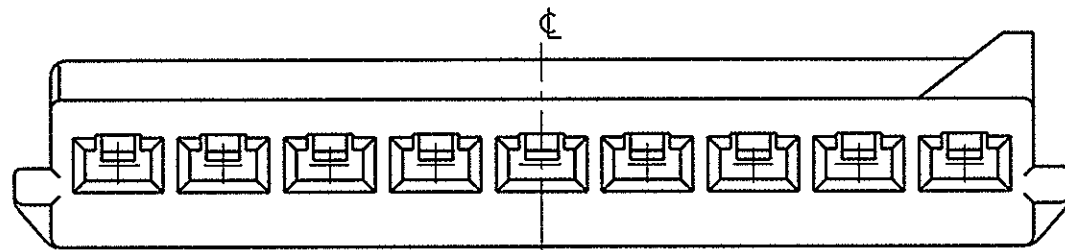
THIS DRAWING IS UNPUBLISHED.

RELEASED FOR PUBLICATION

© COPYRIGHT

BY TYCO ELECTRONICS CORPORATION, ALL RIGHTS RESERVED.

LOC	DIST	REVISIONS				
P	LTR	DESCRIPTION	DATE	DWN	APVD	
A1	-	SEE SHEET 1	-	-	-	



INSERTION DIRECTION (VERSO DI INSERZIONE)

SCALE 3:1

2 MATERIALE (MATERIAL):  
 BLOCCHETTO: PA 6.6 CARICATO VETRO COLORE BLU  
 (HOUSING: PA 6.6 GLASS FIBER FILLED COLOUR BLUE)

284135-2 AS SHOWN (COME MOSTRATO)

FOR MISSING NOTES AND DIMENSIONS SEE P/N 284135-1 (PER NOTE E DIMENSIONI MANCANTI VEDERE IL P/N 284135-1)

<small>THIS DRAWING IS A CONTROLLED DOCUMENT FOR TYCO ELECTRONICS CORPORATION IT IS SUBJECT TO CHANGE AND THE CONTROLLING ENGINEERING ORGANIZATION SHOULD BE CONTACTED FOR THE LATEST REVISION.</small>		DWN E. AMERIO 22MAR04	<b>tyco</b> tyco Electronics AMP Italy C.so F.lli Cervi 15, Collegno (TO)	
DIMENSIONS: mm		CHK O. CANUTO 22MAR04	NAME 9 POS. PLUG HOUSING 3.5 PITCH FOR 070 NEW GENERATION MULTILOCK CRIMP SYSTEM	
TOLERANCES UNLESS OTHERWISE SPECIFIED: 0 PLC ±0.3 1 PLC ±0.3 2 PLC ±0.3 3 PLC ± 4 PLC ± ANGLES ±°		APVD -	PRODUCT SPEC -	RESTRICTED TO -
MATERIAL 2		FINISH -	APPLICATION SPEC -	SCALE 4:1
		WEIGHT -	SIZE A3	SHEET 2 OF 2
		CUSTOMER DRAWING	CAGE CODE 00779	REV C4
			DRAWING NO. 284135	