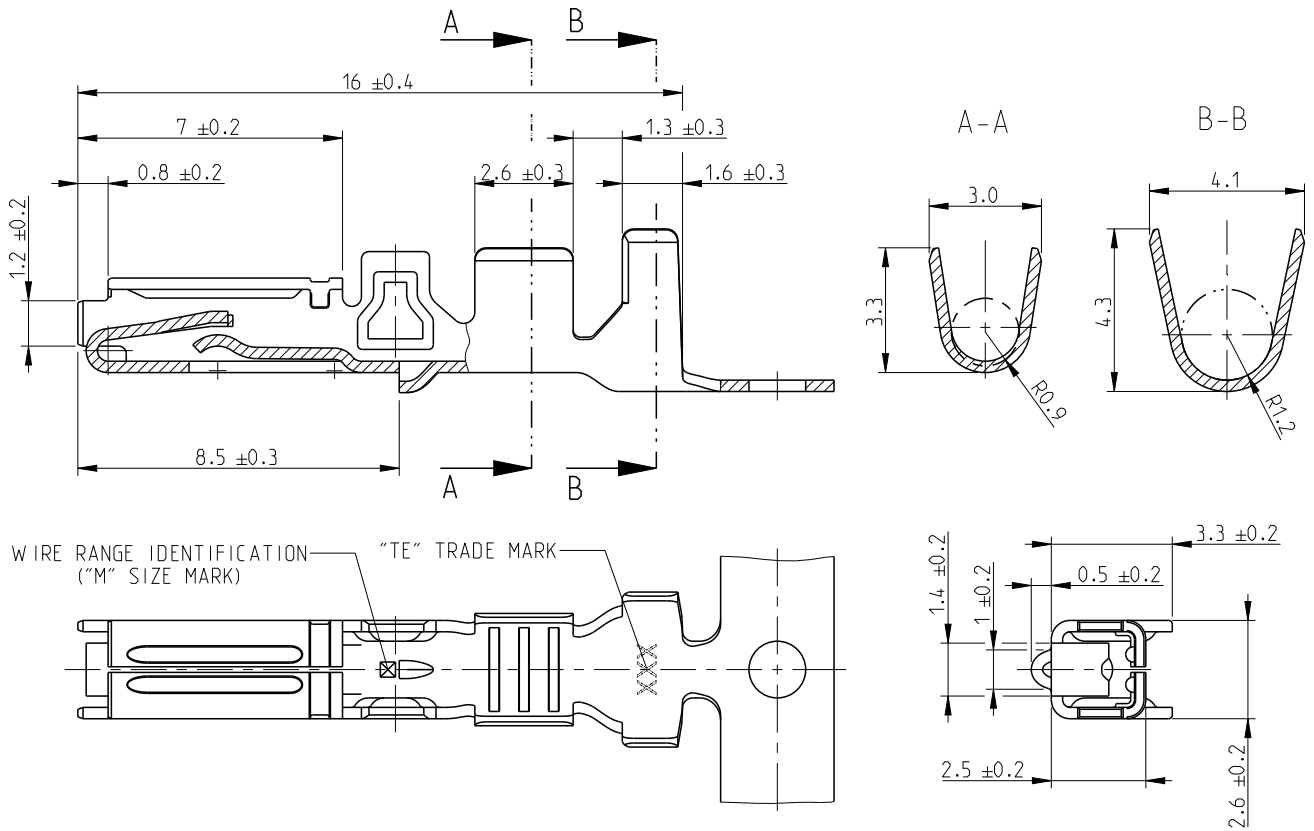


REVISIONS					
P	LTR	DESCRIPTION	DATE	DWN	APVD
	A2	Redrawn to Creo	09MAR2017	JJH	JP



1. DELIVERY STATE: ITEM IS SUPPLIED REELED ON CARTON REEL WITH STRIP PITCH = 11.9±0.2mm
 STATO DI FORNITURA: AVVOLTI SU BOBINA CON PASSO TRA TERMINALI DI = 11.9±0.2mm

CUSTOMER DRAWING FOR INFORMATION ONLY
 DISEGNO PER CLIENTE SOLO PER RIFERIMENTO

THIS DRAWING IS UNPUBLISHED. BY - COPYRIGHT © 20
 ALL RIGHTS RESERVED.

INS. DIA. RANGE (DIAM. ISOLANTE) Ø1.9 - 2.4mm	WIRE RANGE (RANGO FILO) 0.75 - 1.5mm ²	PRE-TIN (PRE-STAGNATO)	BRASS (OTTONE)	284109-1										
DIMENSIONS: mm		FINISH/COLOUR (FINITURE/COLORE)	MATERIAL (MATERIALE)	PART NUMBER										
TOLERANCES UNLESS OTHERWISE SPECIFIED: <table border="1"> <tr> <td>PLC</td> <td>±</td> </tr> <tr> <td>1 PLC</td> <td>±</td> </tr> <tr> <td>2 PLC</td> <td>±</td> </tr> <tr> <td>3 PLC</td> <td>±</td> </tr> <tr> <td>4 PLC</td> <td>±</td> </tr> </table> ANGLES ±2°		PLC	±	1 PLC	±	2 PLC	±	3 PLC	±	4 PLC	±	MATERIAL	FINISH	
PLC	±													
1 PLC	±													
2 PLC	±													
3 PLC	±													
4 PLC	±													
DWN Q. CANUTO 13JUL1998		TE Connectivity												
CHK A. BRUNI 13JUL1998														
APVD -		NAME MULTILOCK .070 SRS REC. CONTACT FOR NEW GENERATION CONNECTOR												
PRODUCT SPEC 108-20201														
APPLICATION SPEC 114-20098		SIZE A 4	CAGE CODE -	DRAWING NO C=284109										
WEIGHT -		RESTRICTED TO -												
CUSTOMER DRAWING		SCALE 5:1	SHEET 1 OF 1	REV A2										