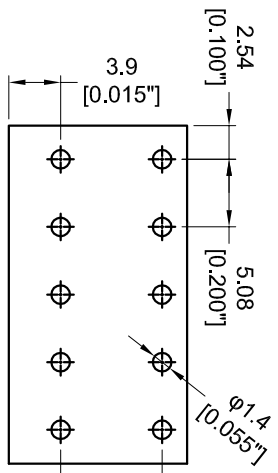
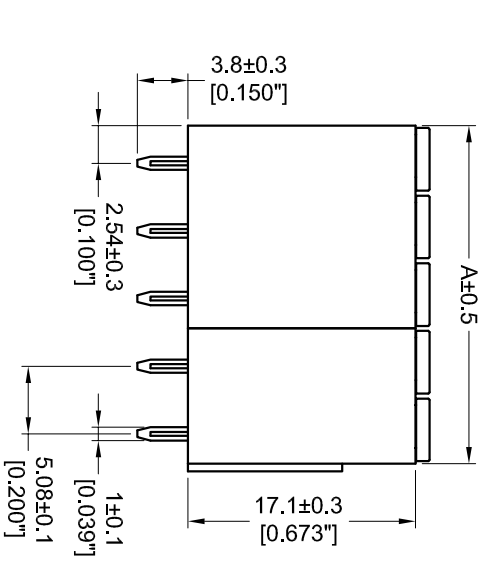
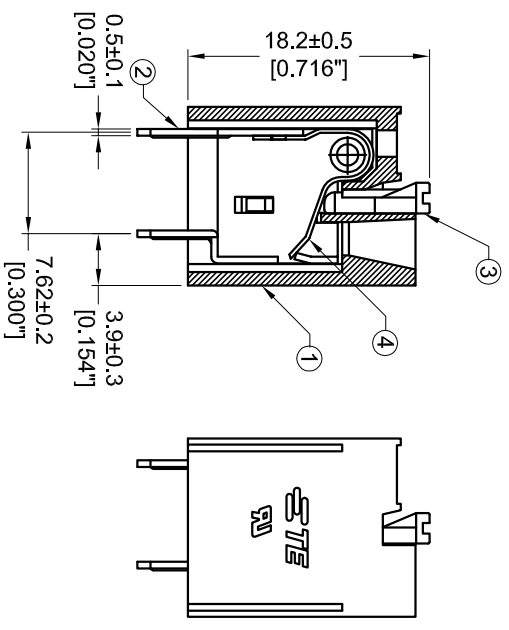
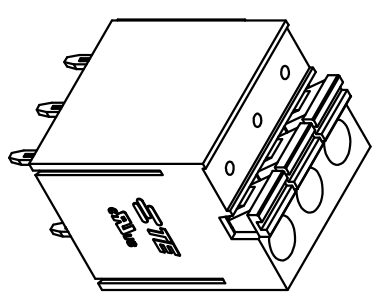
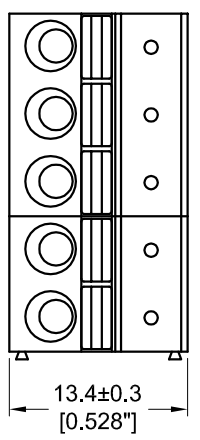


REVISONS		DATE	BY	APP'D
NO.	DESCRIPTION			
1				



PCB Layout

NO.	DESCRIPTION	DATE	BY	APP'D
1	HOUSING			
2	CONTACT			
3	LEVER			
4	SPRING			

NO. OF POSN	PART NO
8 POSN	2834112-7
7 POSN	2834112-6
6 POSN	2834112-5
5 POSN	2834112-4
4 POSN	2834112-3
3 POSN	2834112-2
2 POSN	2834112-1

- NOTES :
- △ MATERIALS AND FINISH:
    - HOUSING: PA66
    - CONTACTS: BRASS, FINISH: TIN OVER NICKEL UNDERPLATE
  - 2. MUST COMPLY WITH DIRECTIVE 2002/95/EC (RoHS)
  - 3. WIRE TYPES AND SIZES ACCEPTED
    - WIRE RANGE: 16AWG~26AWG.
    - STRIP LENGTH: 10mm
  - 4. PACKAGED IN TRAY.
  - 5. CURRENT RATING: 10Amp AC300V.
  - 6. OPERATION TEMPERATURE: -40°C TO +105°C
  - 7. THIS PART NO. IS THE SAME STRUCTURE AS THE SERIES: 2834112
  - THE DATASHEET AND MORE DETAILS PLEASE FOLLOW THE SERIES: 2834112

THIS DRAWING IS A CONTROLLED DOCUMENT.

DESIGNER	CHKD	DATE
DATE	DATE	DATE
DATE	DATE	DATE

REV. 1

5.08mm Top Entry Screwless Connector

2834112

TE Connectivity