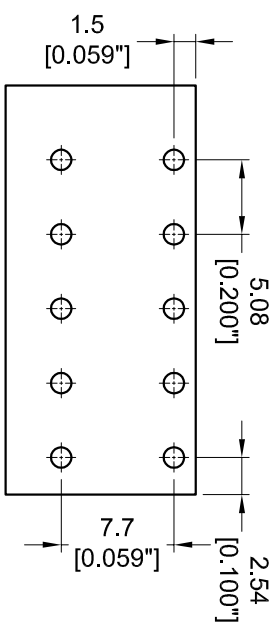
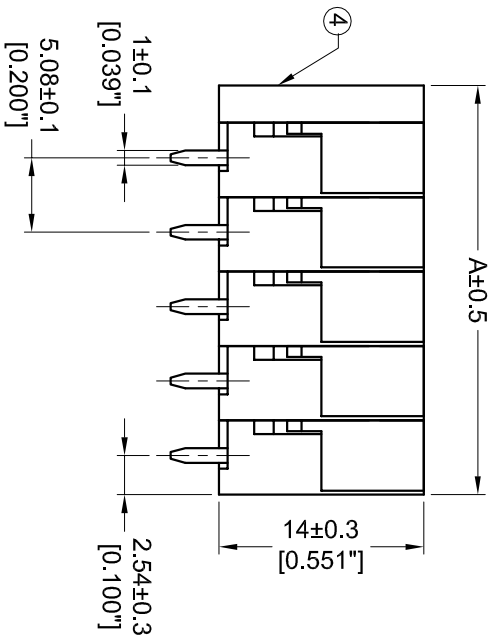
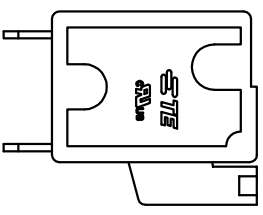
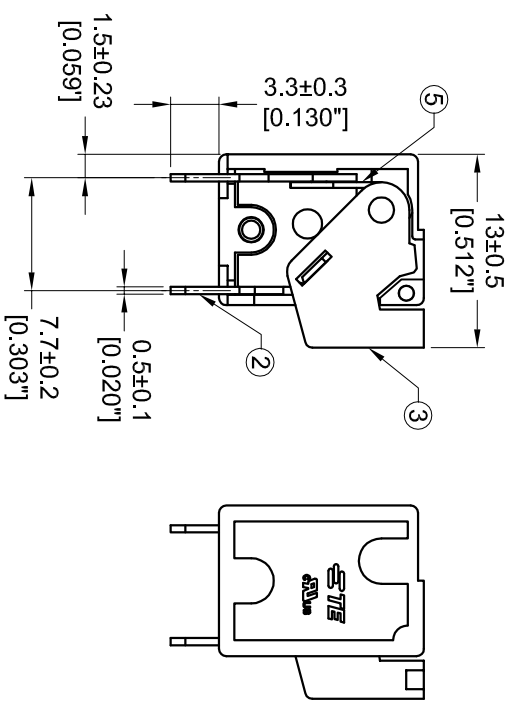
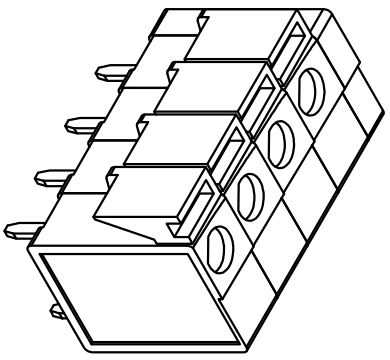
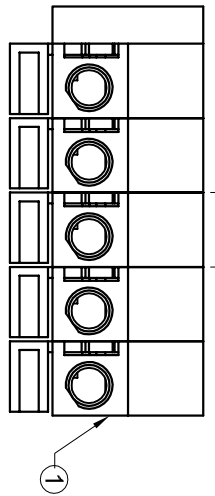


5.08±0.10  
 [0.200"]



PCB Layout

NO.	DESCRIPTION	QTY	PART NO.
⑤	SPRING	8 POSN	2834106-7
④	COVER	7 POSN	2834106-6
③	LEVER	6 POSN	2834106-5
②	CONTACT	5 POSN	2834106-4
①	HOUSING	4 POSN	2834106-3
GRAY			
		2286	2834106-3
		1778	2834106-2
		1270	2834106-1
	COLOR	A	
	NO. OF POSITIONS	2	
	PART NO		

- NOTES :
- △ MATERIALS AND FINISH:
    - HOUSING: PA66
    - CONTACTS: BRASS, FINISH: TIN OVER NICKEL UNDERPLATE
  - 2. MUST COMPLY WITH DIRECTIVE 2002/95/EC (RoHS)
  - 3. WIRE TYPES AND SIZES ACCEPTED
    - WIRE RANGE: 14AWG~24AWG.
    - STRIP LENGTH: 10mm
  - 4. PACKAGED IN TRAY.
  - 5. CURRENT RATING: 10Amp AC300V.
  - 6. OPERATION TEMPERATURE: -40°C TO +105°C
  - 7. THIS PART NO. IS THE SAME STRUCTURE AS THE SERIES: 2834106
  - THE DATASHEET AND MORE DETAILS PLEASE FOLLOW THE SERIES: 2834106

THIS DRAWING IS A CONTROLLED DOCUMENT

STI TE Connectivity

5.08mm Top Entry Screwless Connector

DATE	REV	BY
DATE	REV	BY
DATE	REV	BY

SCALE: 1:1