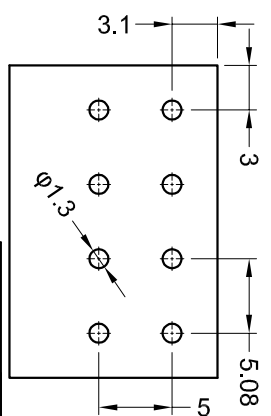
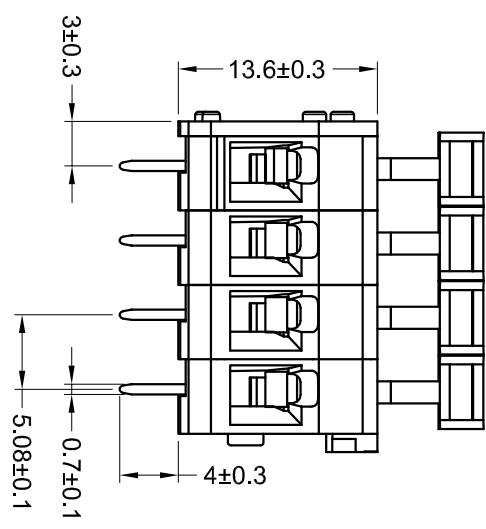
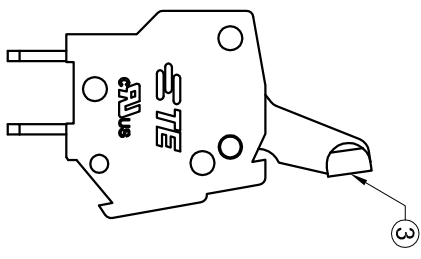
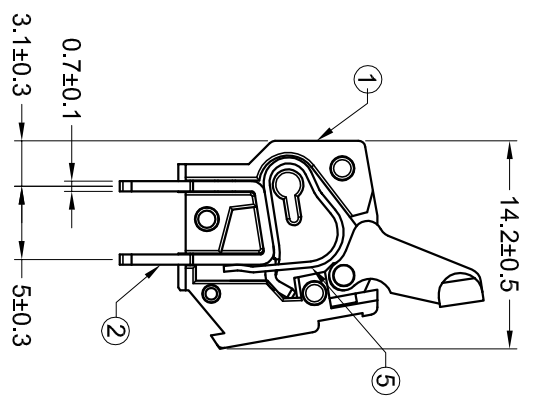
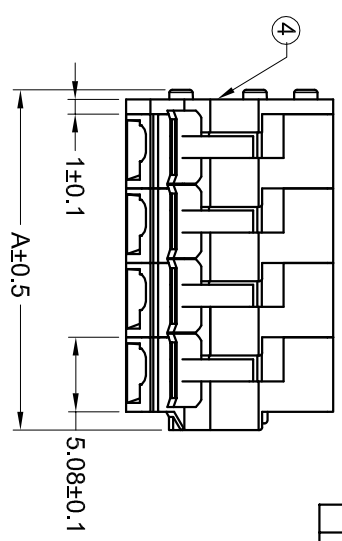
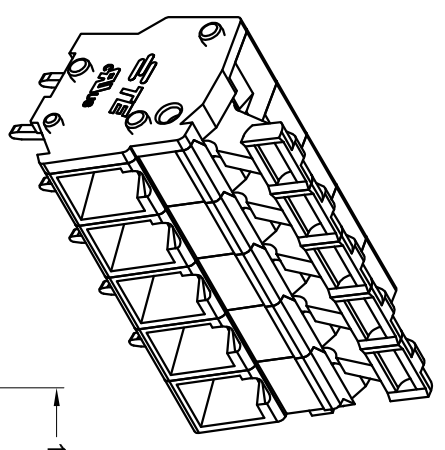


LOC		DIST		REVISIONS			DATE	DWN	APP'D
P	LTN	DESCRIPTION	DATE	DWN	APP'D	DATE	DWN	APP'D	
A		FIRST VERSION	23NOV2015	CF	SM				



PCB Layout

⑤	SPRING	2834081-7
④	COVER	2834081-6
③	LEVER	284081-5
②	CONTACT	2834081-4
①	HOUSING	2834081-3

⑤	43.54	8 POSN	2834081-7
	38.46	7 POSN	2834081-6
	33.38	6 POSN	284081-5
	28.30	5 POSN	2834081-4
	23.22	4 POSN	2834081-3
	18.14	3 POSN	2834081-2
	13.06	2 POSN	2834081-1

COLOR	DIM A	NO. OF POSITIONS	PART NO
GRAY			

- NOTES :
- △ MATERIALS AND FINISH:
 - HOUSING: PA66
 - CONTACTS: BRASS, FINISH: TIN OVER NICKEL UNDERPLATE
 - 2. MUST COMPLY WITH DIRECTIVE 2002/95/EC (RoHS)
 - 3. WIRE TYPES AND SIZES ACCEPTED
 - WIRE RANGE: 12AWG~28AWG.
 - STRIP LENGTH: 5~6mm
 - 4. PACKAGED IN TRAY.
 - 5. CURRENT RATING: 20Amp AC300V.
 - 6. OPERATION TEMPERATURE: -40°C TO +105°C
 - 7. THIS PART NO. IS THE SAME STRUCTURE AS THE SERIES: 2834081
 - THE DATASHEET AND MORE DETAILS PLEASE FOLLOW THE SERIES: 2834081

THIS DRAWING IS A CONTROLLED DOCUMENT.

REVISIONS	LTN	DATE	DWN	APP'D
1	A			

THIS DRAWING IS A CONTROLLED DOCUMENT.	DATE	DWN	APP'D
108-137148			

DATE	DWN	APP'D
114-137148		

DATE	DWN	APP'D
A200779	C-2834081	

SCALE: 1:1 SHEET 1 OF 1 REV A